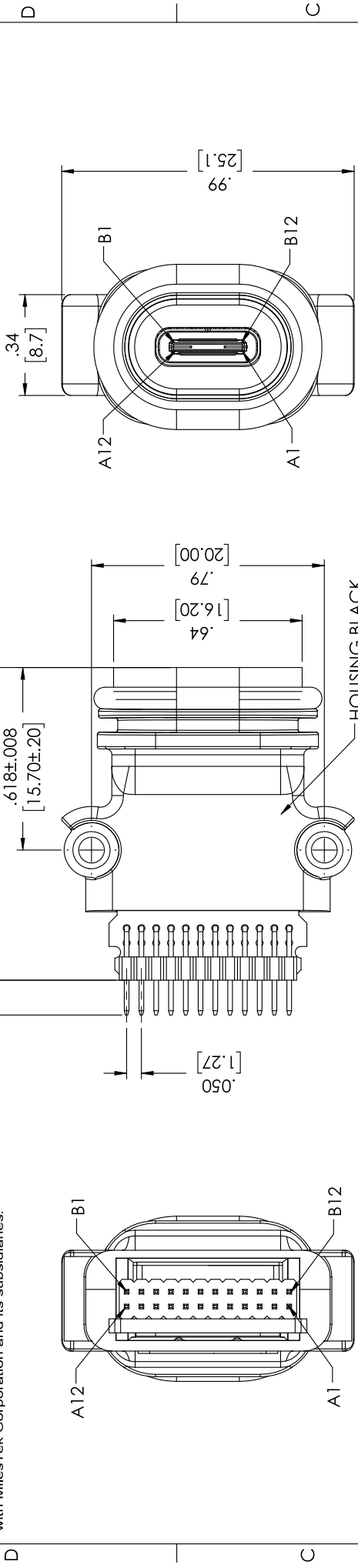


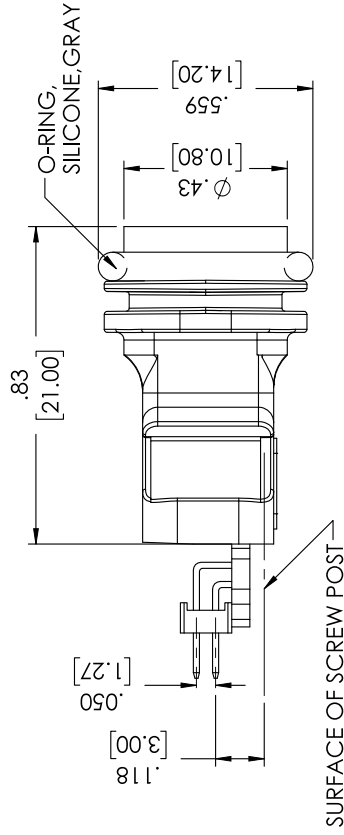
PROPRIETARY NOTICE

This document discloses confidential subject matter in which MilesTek Corporation and its subsidiaries have proprietary rights. Neither receipt nor possession thereof confers or transfers any right to reproduce or disclose the information contained therein, or to practice any method or process, except by written permission from, or written agreement with MilesTek Corporation and its subsidiaries.



P1  
 WAFER, 24 PIN HEADER,  
 DUAL ROWS, PITCH=1.27MM

J1  
 USB TYPE C FEMALE  
 CONTACTS GOLD PLATED



SURFACE OF SCREW POST

NOTES

1. INGRESS PROTECTION RATING IS IP68 (UNMATED, 1 METER, 24H).
2. PANEL THICKNESS=4.0MM MAX.
3. RECOMMENDED PANEL CUT-OUT DIMENSION AND INSTALLATION INSTRUCTION SEE PAGE 2
4. ADAPTER SHALL BE TESTED FOR CONTINUITY.
5. ADAPTER SHALL BE INDIVIDUALLY PACKAGED IN ACCORDANCE WITH MILESTEK SPECIFICATION PS-0054.

**REGULATORY COMPLIANCE:**  
 EU ROHS DIRECTIVE (MOST RECENT RELEASED VERSION)

REV	DESCRIPTION	DATE	APPROVED
A	REV A DRAWING RELEASED	05/15/2019	DGUITADAUR

SIGNATURE	DATE	TITLE
CHUAN	05/13/2019	
DFRIBELLO	05/14/2019	
DGUITADAUR	05/14/2019	

UNLESS OTHERWISE SPECIFIED ALL DIMENSIONS ARE IN INCHES

OVERALL CABLE LENGTH TOLERANCE:  
 >.10 [.005] = +.1 [.25] / -0  
 >.10 [.005] < .10 [.005] = +.1 [.25] / -0  
 >.120 [.0048] < .120 [.0048] = +.1 [.25] / -0  
 >.500 [.0160] < .500 [.0160] = +.1 [.25] / -0

ALL OTHER DIMENSIONAL TOLERANCES:  
 .XX = ±.005 [0.125]  
 .XXX = ±.002 [0.051]  
 .XXX = ±.005 [0.125]

CUSTOMER REFERENCE DOCUMENT:

CAGE CODE: 4Z977

DRAWING NUMBER: MUSB00001

SCALE: NTS

SHEET 1 OF 2

REV.	DRAWING NUMBER:	SCALE:	SHEET
A	MUSB00001	NTS	1

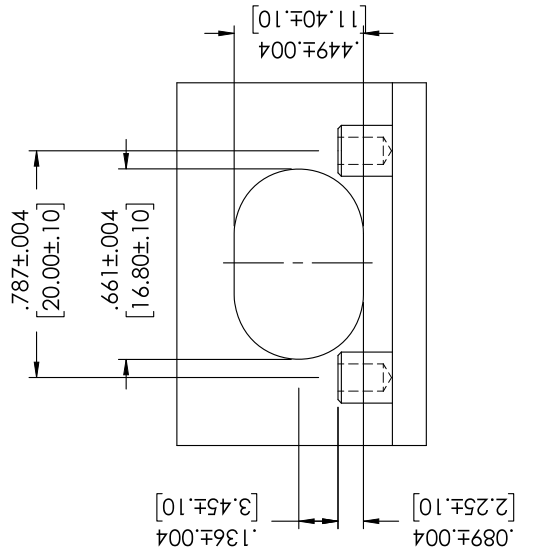
MilesTek  
 Memory | Network | Communications | Industrial

WATERPROOF USB C PANEL JACK  
 FF

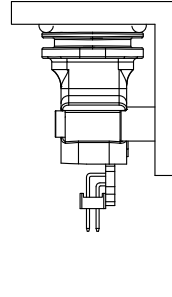
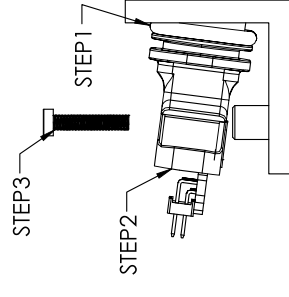
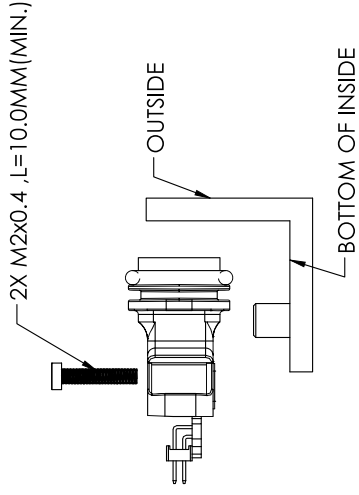
MILESTEK CORPORATION  
 301 LEVY AVENUE, SUITE 100  
 FARMINGTON, CT 06031  
 PHONE: (949) 484-9400  
 FAX: (949) 564-1047

PROPRIETARY NOTICE

This document discloses confidential subject matter in which MilesTek Corporation and its subsidiaries have proprietary rights. Neither receipt nor possession thereof confers or transfers any right to reproduce or disclose the document, or any part thereof, in any form or by any means, or to use any process, except by written permission from, or written agreement with MilesTek Corporation and its subsidiaries.



RECOMMENDED PANEL CUT-OUT



INSTALLATION INSTRUCTION



MILESTEK CORPORATION  
1500 WEST 17TH AVENUE  
DENVER, COLORADO 80202  
PHONE: 866.524.1553  
FAX: 940.971.7086

TITLE  
WATERPROOF USB C PANEL JACK FF

SHEET  
DRAWING NUMBER:  
**A** MUS3B00001

SCALE: NTS  
SHEET 2 OF 2