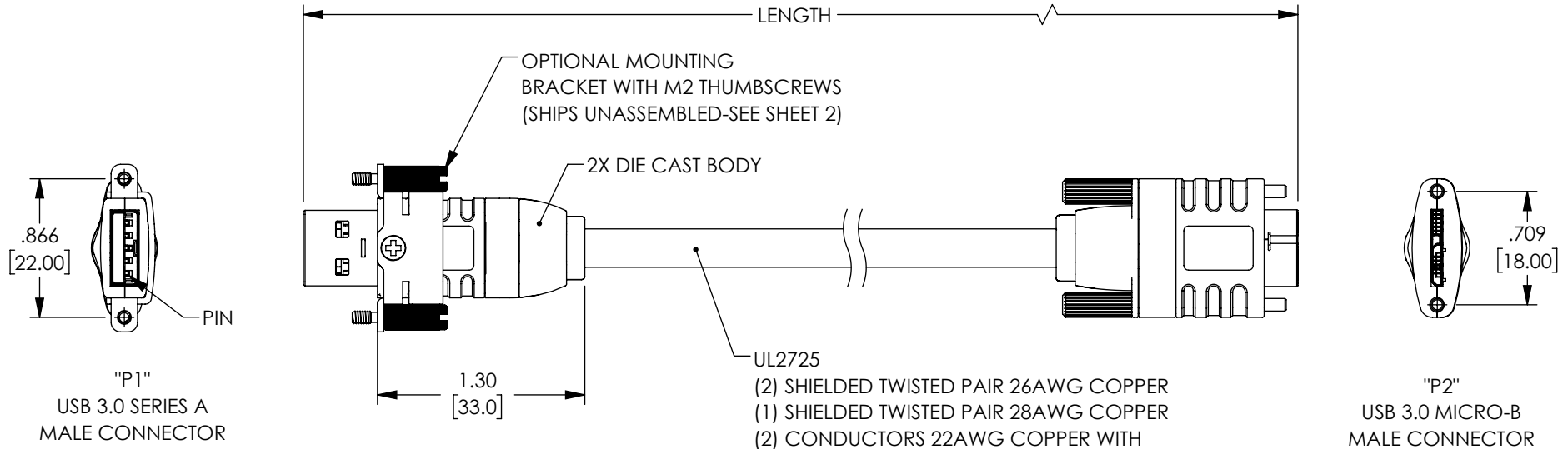
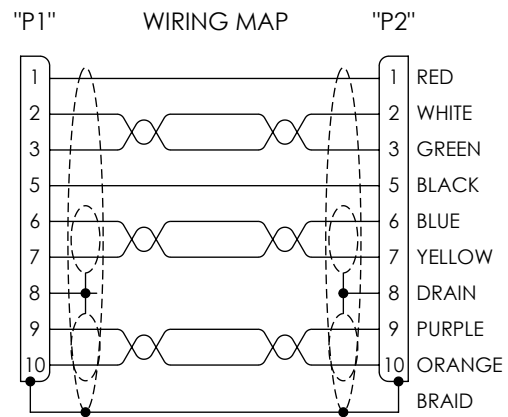


THE INFORMATION CONTAINED IN THIS DRAWING IS THE SOLE PROPERTY OF MILESTEK, INC. ANY REPRODUCTION IN PART OR WHOLE WITHOUT THE WRITTEN PERMISSION OF MILESTEK, INC. IS PROHIBITED.

REVISIONS			
REV	DESCRIPTION	DATE	APPROVED
A	INITIAL RELEASE	02/03/2021	GUTTADAURO



UL2725
 (2) SHIELDED TWISTED PAIR 26AWG COPPER
 (1) SHIELDED TWISTED PAIR 28AWG COPPER
 (2) CONDUCTORS 22AWG COPPER WITH OVERALL COPPER BRAID SHIELD AND COPPER DRAIN WIRE
 JACKET: PVC, BLACK [O.D. 6.2mm NOM.]

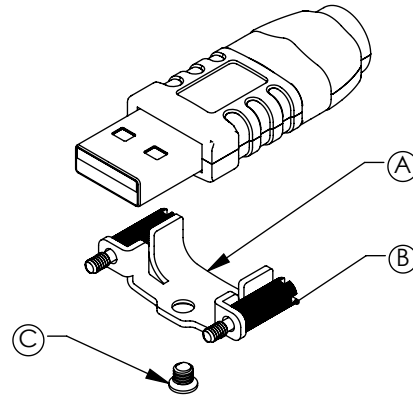


MODEL NUMBER	LENGTH METERS [FEET]
MUS3A00067-1M	1.0 [3.28]
MUS3A00067-2M	2.0 [6.56]
MUS3A00067-3M	3.0 [9.84]

NOTES:
 ALL DIMENSIONS ARE FOR REFERENCE ONLY
 CABLE ASSEMBLIES SHALL BE TESTED FOR CONTINUITY
 CABLE ASSEMBLIES SHALL BE INDIVIDUALLY PACKAGED IN POLY BAG.
 CABLE ASSEMBLIES ARE CONSTRUCTED TO MEET USB 3.0 REQUIREMENTS.

UNLESS OTHERWISE SPECIFIED, DIMENSIONS ARE IN INCHES [mm] OVERALL CABLE LENGTH TOLERANCE: ≤12 [305] = +1 [25] / -0 >12 [305] ≤60 [1524] = +2 [51] / -0 >60 [1524] ≤120 [3048] = +4 [102] / -0 >120 [3048] ≤300 [7620] = +6 [152] / -0 >300 [7620] = +5% / -0 ALL OTHER DIMENSIONAL TOLERANCES: .X = ± .2 [5] FRACTIONS ± 1/32 .XX = ± .02 [5] ANGLES ± 1° .XXX = ± .005 [13]	APPROVALS DRAWN BY DZINN CHECKED BY DFRISIELLO APPROVED BY GUTTADAURO	DATE 02/03/2021 02/03/2021 02/03/2021	 an INFINIT@ brand 301 Leora Ln., Suite 100, Lewisville, TX 75056 Phone: 1.940.484.9400 1.866.524.1553	
	CONFIGURATION DETAILS OF UNDIMENSIONED FEATURES MAY VARY COLOR VARIATIONS MAY OCCUR		CATEGORY USB 3.0	PRODUCT DESCRIPTION USB 3.0 A/MICB DIECAST W/ OPT VISION
THIRD-ANGLE PROJECTION 	SIZE A	CAGE CODE 4Z977	ITEM NO. MUS3A00067	REV. A
SCALE: NONE		CAD FILE:		SHEET 1 OF 2

THE INFORMATION CONTAINED IN THIS DRAWING IS THE SOLE PROPERTY OF MILESTEK, INC. ANY REPRODUCTION IN PART OR WHOLE WITHOUT THE WRITTEN PERMISSION OF MILESTEK, INC. IS PROHIBITED.



USB 3.0 SERIES A
ACCESSORIES DETAIL
(INCLUDED WITH CABLE)

ITEM LETTER	SEPERATE ACCESSORIES	QTY
A	SHEET METAL BRACKET	1
B	M2 THUMBSCREW	2
C	M2.5 x 3.0 FLAT HEAD SCREW	1

NOTE: THUMBSCREWS AND FLAT HEAD SCREW MAY BE PREINSTALLED.

MilesTek
an INFINIT® brand

301 Leora Ln., Suite 100,
Lewisville, TX 75056
Phone: 1.940.484.9400
1.866.524.1553

CATEGORY
USB 3.0

PRODUCT DESCRIPTION
USB 3.0 A/MICB DIECAST W/ OPT VISION

SIZE A	CAGE CODE 4Z977	ITEM NO. MUS3A00067	REV. A
------------------	---------------------------	------------------------	------------------

SCALE: NONE | CAD FILE: MUS3A00067.SLDDRW | SHEET 2 OF 2