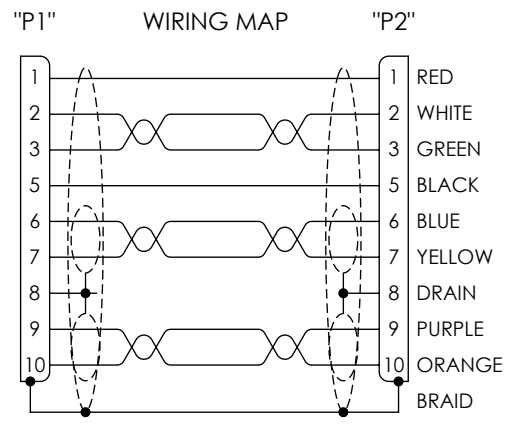
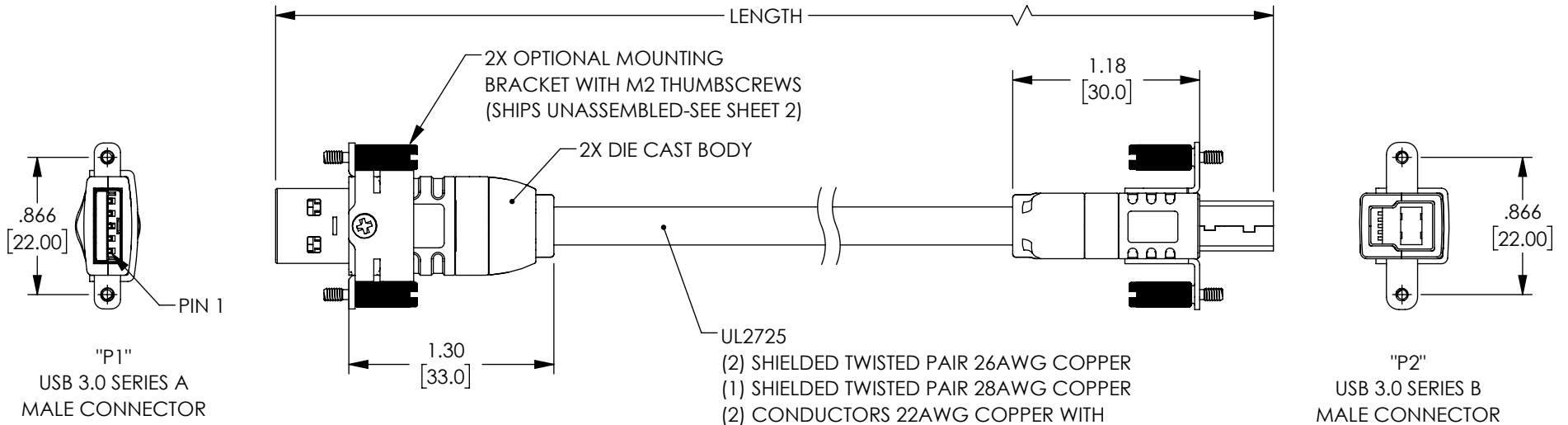


THE INFORMATION CONTAINED IN THIS DRAWING IS THE SOLE PROPERTY OF MILESTEK, INC. ANY REPRODUCTION IN PART OR WHOLE WITHOUT THE WRITTEN PERMISSION OF MILESTEK, INC. IS PROHIBITED.

REVISIONS			
REV	DESCRIPTION	DATE	APPROVED
A	INITIAL RELEASE	02/03/21	GUTTADAURO

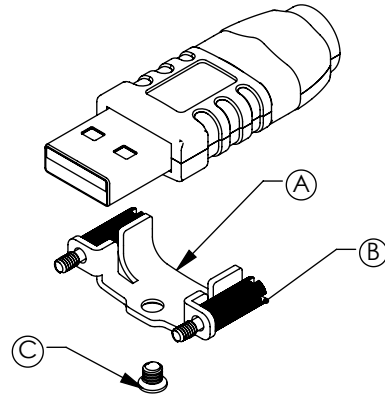


MODEL NUMBER	LENGTH METERS [FEET]
MUS3A00065-1M	1.0 [3.28]
MUS3A00065-2M	2.0 [6.56]
MUS3A00065-3M	3.0 [9.84]

NOTES:
 ALL DIMENSIONS ARE FOR REFERENCE ONLY
 CABLE ASSEMBLIES SHALL BE TESTED FOR CONTINUITY
 CABLE ASSEMBLIES SHALL BE INDIVIDUALLY PACKAGED IN POLY BAG.
 CABLE ASSEMBLIES ARE CONSTRUCTED TO MEET USB 3.0 REQUIREMENTS.

UNLESS OTHERWISE SPECIFIED, DIMENSIONS ARE IN INCHES [mm] OVERALL CABLE LENGTH TOLERANCE: ≤12 [305] = +1 [25] / -0 >12 [305] ≤60 [1524] = +2 [51] / -0 >60 [1524] ≤120 [3048] = +4 [102] / -0 >120 [3048] ≤300 [7620] = +6 [152] / -0 >300 [7620] = +5% / -0 ALL OTHER DIMENSIONAL TOLERANCES: .X = ± .2 [5] FRACTIONS ± 1/32 .XX = ± .02 [5] ANGLES ± 1° .XXX = ± .005 [13]	APPROVALS DRAWN BY DZINN CHECKED BY DFRISIELLO APPROVED BY GUTTADAURO	DATE 02/03/21 02/03/21 02/03/21	 an INFINIT® brand 301 Leora Ln., Suite 100, Lewisville, TX 75056 Phone: 1.940.484.9400 1.866.524.1553
	CONFIGURATION DETAILS OF UNDIMENSIONED FEATURES MAY VARY COLOR VARIATIONS MAY OCCUR	CATEGORY USB 3.0	PRODUCT DESCRIPTION USB 3.0 A/B DIECAST W/ OPT VISION
THIRD-ANGLE PROJECTION 	SIZE A CAGE CODE 4Z977 ITEM NO. MUS3A00065	REV. A	SHEET 1 OF 2

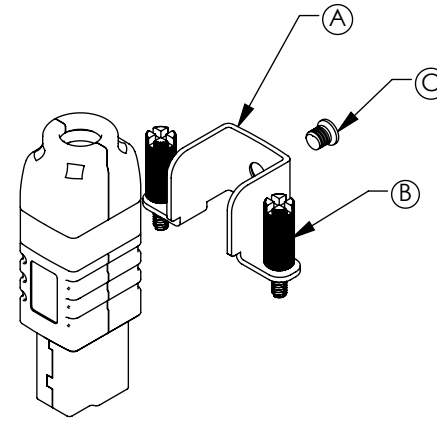
THE INFORMATION CONTAINED IN THIS DRAWING IS THE SOLE PROPERTY OF MILESTEK, INC. ANY REPRODUCTION IN PART OR WHOLE WITHOUT THE WRITTEN PERMISSION OF MILESTEK, INC. IS PROHIBITED.



USB 3.0 SERIES A
ACCESSORIES DETAIL
(INCLUDED WITH CABLE)

ITEM LETTER	SEPERATE ACCESSORIES	QTY
A	SHEET METAL BRACKET	1
B	M2 THUMBSCREW	2
C	M2.5 x 3.0 FLAT HEAD SCREW	1

NOTE: THUMBSCREWS AND FLAT HEAD SCREW MAY BE PREINSTALLED.



USB 3.0 SERIES B
ACCESSORIES DETAIL
(INCLUDED WITH CABLE)

ITEM LETTER	SEPERATE ACCESSORIES	QTY
A	SHEET METAL BRACKET	1
B	M2 THUMBSCREW	2
C	M2.5 x 3.0 FLAT HEAD SCREW	1

NOTE: THUMBSCREWS AND FLAT HEAD SCREW MAY BE PREINSTALLED.

MilesTek
an INFINITI® brand

301 Leora Ln., Suite 100,
Lewisville, TX 75056
Phone: 1.940.484.9400
1.866.524.1553

CATEGORY
USB 3.0

PRODUCT DESCRIPTION
USB 3.0 A/B DIECAST W/ OPT VISION

SIZE A	CAGE CODE 4Z977	ITEM NO. MUS3A00065	REV. A
------------------	---------------------------	------------------------	------------------

SCALE: NONE | CAD FILE: MUS3A00065.SLDDRW | SHEET 2 OF 2