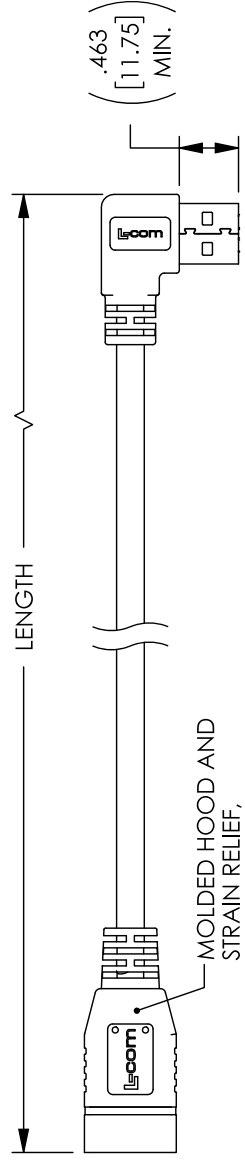


PROPRIETARY NOTICE

This document discloses confidential subject matter in which MilesTek Corporation and its subsidiaries have proprietary rights. Neither receipt nor possession thereof confers or transfers any right to reproduce or disclose the information contained herein, or to practice any method or process, except by written permission from, or written agreement with MilesTek Corporation and its subsidiaries.

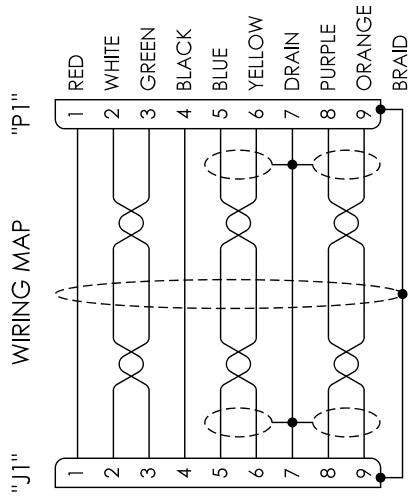
REV	DESCRIPTION	DATE	APPROVED
A	REV A DRAWING RELEASED	05/15/2019	DGUITADAUR

D C B A

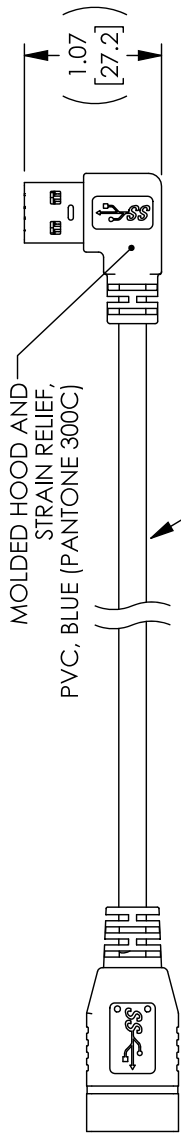
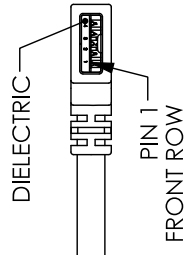


"J1" WIRING MAP

USB 3.0 SERIES "A" JACK CONTACTS 30μ GOLD



"P1" USB 3.0 SERIES "A" LEFT ANGLE PLUG CONTACTS 30μ GOLD



UL STYLE 2725,
(2) TWISTED PAIR, 30AWG WITH ALUM/POLY FOIL SHIELD AND DRAIN WIRE,
(1) UNSHIELDED TWISTED PAIR, 30AWG,
(2) CONDUCTORS, 24AWG,
OVERALL ALUMINUM/MYLAR AND BRAIDED SHIELD,
JACKET: PVC, BLUE (PANTONE 300C)
(NOM DIA. .217" [5.5])

PART NUMBER	LENGTH METERS [FEET]
MUS3A00064-03M	0.3 [.98]
MUS3A00064-05M	0.5 [1.64]
MUS3A00064-075M	0.75 [2.46]
MUS3A00064-1M	1.0 [3.28]

NOTES:

- CABLE ASSEMBLY SHALL HAVE 360° SHIELD TERMINATION.
- CABLE ASSEMBLY MUST MEET USB 3.0 REQUIREMENTS.
- CABLE ASSEMBLY SHALL BE TESTED FOR CONTINUITY.
- CABLE ASSEMBLY SHALL BE INDIVIDUALLY PACKAGED IN ACCORDANCE WITH MILESTEK SPECIFICATION PS-0054.

REGULATORY COMPLIANCE:

EU ROHS DIRECTIVE (MOST RECENT RELEASED VERSION).

		MILESTEK CORPORATION 301 KENYON AVE., SUITE 100 WILMINGTON, DE 19801 PHONE: (940) 484-9400 FAX: (940) 564-1047	
SIGNATURE	DATE	TITLE	
CHUAN	05/13/2019	USB 3.0 FEMALE TO MALE TYPE A RIGHT ANGLE LEFT EXIT	
DRIBIELLO	05/14/2019	CONFIGURATION DETAILS OF UNDIMENSIONED FEATURES MAY VARY	
DGUITADAUR	05/14/2019	CAGE CODE: 4Z977	
CUSTOMER REFERENCE DOCUMENT:		SCALE: NTS	SHEET 1 OF 1