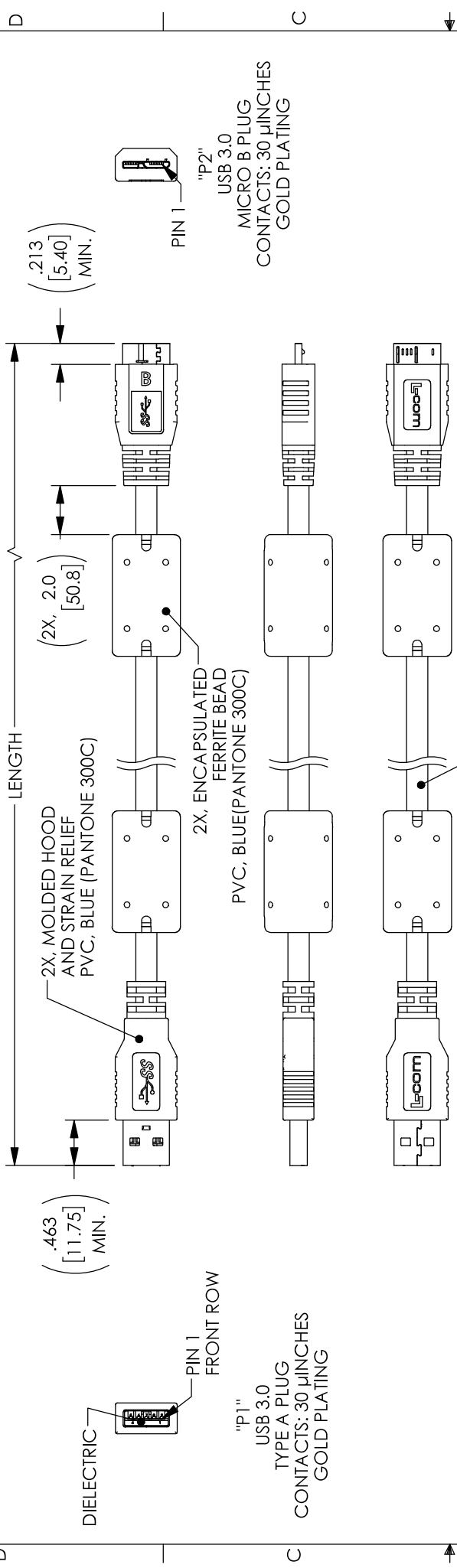


| REV | DESCRIPTION     | DATE   | APPROVED   |
|-----|-----------------|--------|------------|
| A   | INITIAL RELEASE | 5/9/18 | D.FRIBELLO |

|            |  |
|------------|--|
| MUS3A00034 |  |
|------------|--|

|           |  |
|-----------|--|
| REVISIONS |  |
|-----------|--|

PROPRIETARY NOTICE  
 This document discloses confidential subject matter in which MilesTek Corporation and its subsidiaries have proprietary rights. Neither receipt nor possession thereof confers or grants any right, title, or interest in the invention or any part thereof, and any information contained therein, or any physical article or device, or to practice any method or process, except by written permission from, or written agreement with MilesTek Corporation and its subsidiaries.



| WIRING MAP | "P1"       | "P2"  |
|------------|------------|-------|
| 1          | RED        | 1     |
| 2          | WHITE      | 2     |
| 3          | GREEN      | 3     |
| 4          | BLACK      | 5     |
| 5          | BLUE       | 6     |
| 6          | YELLOW     | 7     |
| 7          | DRAIN WIRE | 8     |
| 8          | DRAIN WIRE | 9     |
| 9          | PURPLE     | 10    |
| 10         | ORANGE     | SHELL |
|            | BRAID      | SHELL |

| PART NUMBER     | LENGTH METERS [FEET] |
|-----------------|----------------------|
| MUS3A00034-05M  | 0.5 [1.64]           |
| MUS3A00034-075M | 0.75 [2.46]          |

**NON CONTROLLED DRAWING IF PRINTED**

**NOTES:**

- CABLE ASSEMBLY SHALL BE TESTED FOR CONTINUITY.
- CABLE ASSEMBLY SHALL HAVE 360° SHIELD TERMINATION.
- CABLE ASSEMBLY MUST MEET USB 3.0 REQUIREMENTS.
- CABLE ASSEMBLY SHALL BE INDIVIDUALLY PACKAGED IN ACCORDANCE WITH MILESTEK SPECIFICATION PS-0054.

**REGULATORY COMPLIANCE:**  
 CE2011/65/EU (RoHS Directive)

**CAD SYSTEM DRAWING - DO NOT REVISE MANUALLY**

|                         |        |  |
|-------------------------|--------|--|
| SIGNATURE               | DATE   |  |
| D.FRIBELLO              | 5/8/18 |  |
| CHECKED BY:             |        |  |
| E.LAMOTT                | 5/9/18 |  |
| APPROVED BY:            |        |  |
| B.C.GATES               | 5/9/18 |  |
| APPROVED MANUFACTURING: |        |  |
| CUSTOMER APPROVAL       |        |  |

|   |  |
|---|--|
| UNLESS OTHERWISE SPECIFIED ALL DIMENSIONS ARE IN INCHES |  |
| OVERALL CABLE LENGTH TOLERANCE                          |  |
| < 12' (305) = ± 1/32 (0.031)                            |  |
| > 12' (305) = ± 1/16 (0.062)                            |  |
| > 120' (3048) = ± 3/32 (0.234)                          |  |
| > 300' (7620) = ± 3/16 (0.187)                          |  |
| ALL OTHER DIMENSIONAL TOLERANCES:                       |  |
| .X ± .01 (0.254)  |  |
| .XX ± .005 (0.127)                                      |  |
| .XXX ± .003 (0.076)                                     |  |

|      |           |         |             |
|------|-----------|---------|-------------|
| DASH | NEXT ASSY | USED ON | APPLICATION |
|      |           |         |             |

|                  |  |
|------------------|--|
| CAGE CODE: 42977 |  |
|------------------|--|

|            |  |
|------------|--|
| SCALE: NTS |  |
|------------|--|

|              |  |
|--------------|--|
| SHEET 1 OF 1 |  |
|--------------|--|