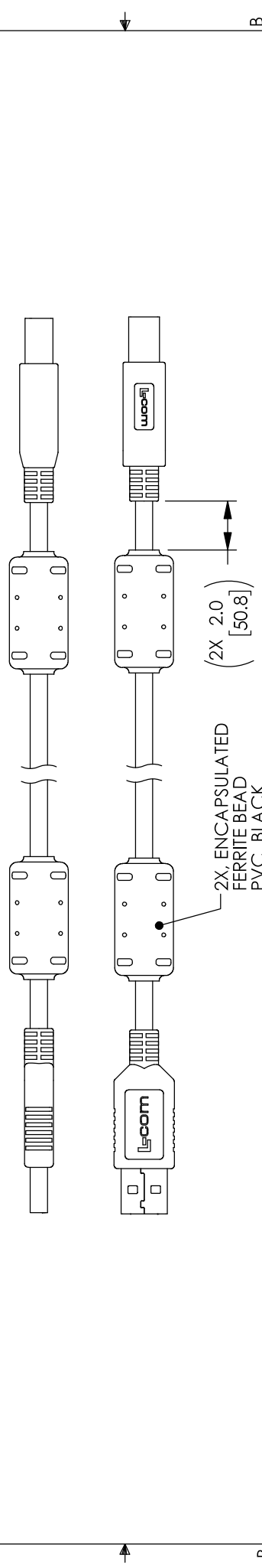
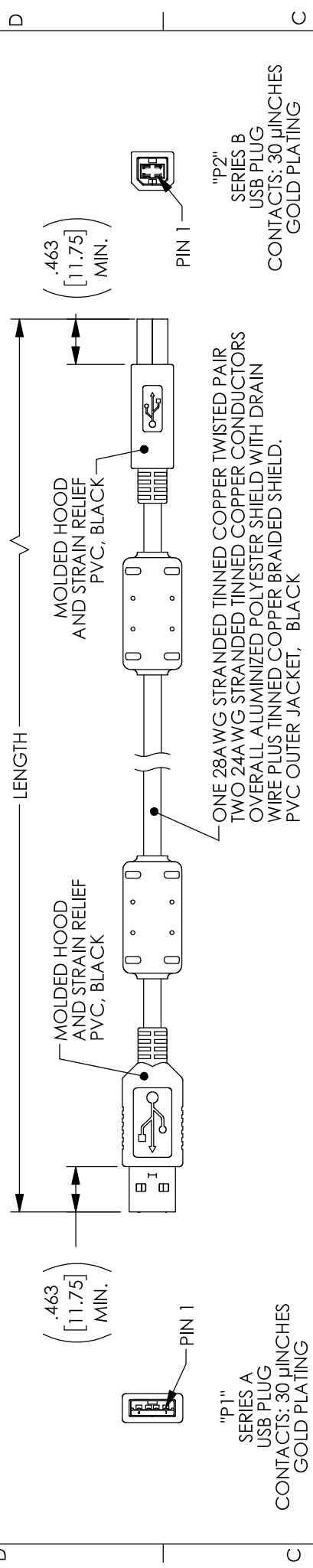


REV	DESCRIPTION	DATE	APPROVED
A	INITIAL RELEASE	5/9/18	D.FRIBELLO

REV	DESCRIPTION	DATE	APPROVED
A	INITIAL RELEASE	5/9/18	D.FRIBELLO



PART NUMBER	LENGTH METERS [FEET]
MUS2A00020-05M	0.5 [1.64]
MUS2A00020-1M	1.0 [3.28]
MUS2A00020-2M	2.0 [6.56]
MUS2A00020-3M	3.0 [9.84]
MUS2A00020-5M	5.0 [16.41]

NON CONTROLLED DRAWING IF PRINTED

CAD SYSTEM DRAWING - DO NOT REVISE MANUALLY

UNLESS OTHERWISE SPECIFIED ALL DIMENSIONS ARE IN INCHES		SIGNATURE	DATE
OVERALL LENGTH TOLERANCE >12 [305] ≤124 [3125] = +.01 [-0.01] / -0 >120 [3048] ≤320 [8128] = +.01 [-0.02] / -0 >300 [7620] = +.02% / -.02%		D.FRIBELLO	5/8/18
ALL OTHER DIMENSIONAL TOLERANCES: X = ± .0128 [0.325] Y = ± .0128 [0.325] XXX = ± .003 [0.076]		E.LAMOTT	5/9/18
CUSTOMER REFERENCE DOCUMENT:		APPROVED BY:	TITLE
DASH	NEXT ASSY	APPROVED MANUFACTURING:	USB 2.0 TYPE A/B CABLE/W FERRITES
	USED ON	CUSTOMER APPROVAL	
APPLICATION		SHEET	DRAWING NUMBER:
		A	MUS2A00020
		SCALE: NTS	SHEET 1 OF 1

NOTES:

- CABLE ASSEMBLY SHALL HAVE 360° SHIELD TERMINATION.
- CABLE ASSEMBLY SHALL MEET USB 2.0 REQUIREMENTS.
- CABLE ASSEMBLY SHALL BE TESTED FOR CONTINUITY.
- CABLE ASSEMBLY SHALL BE INDIVIDUALLY PACKAGED IN ACCORDANCE WITH MILESTEK SPECIFICATION PS-0054.

REGULATORY COMPLIANCE:
CE2011/65/EU (RoHS DIRECTIVE)