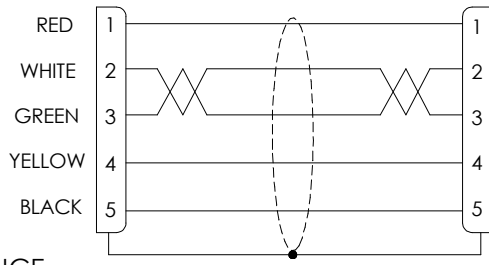
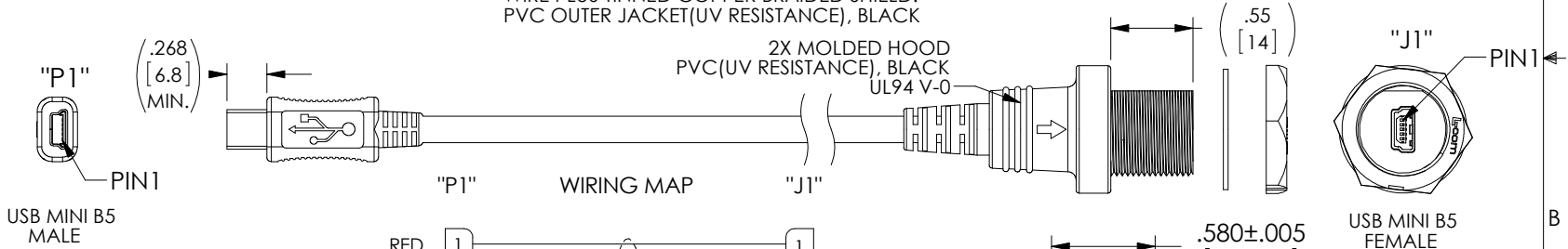
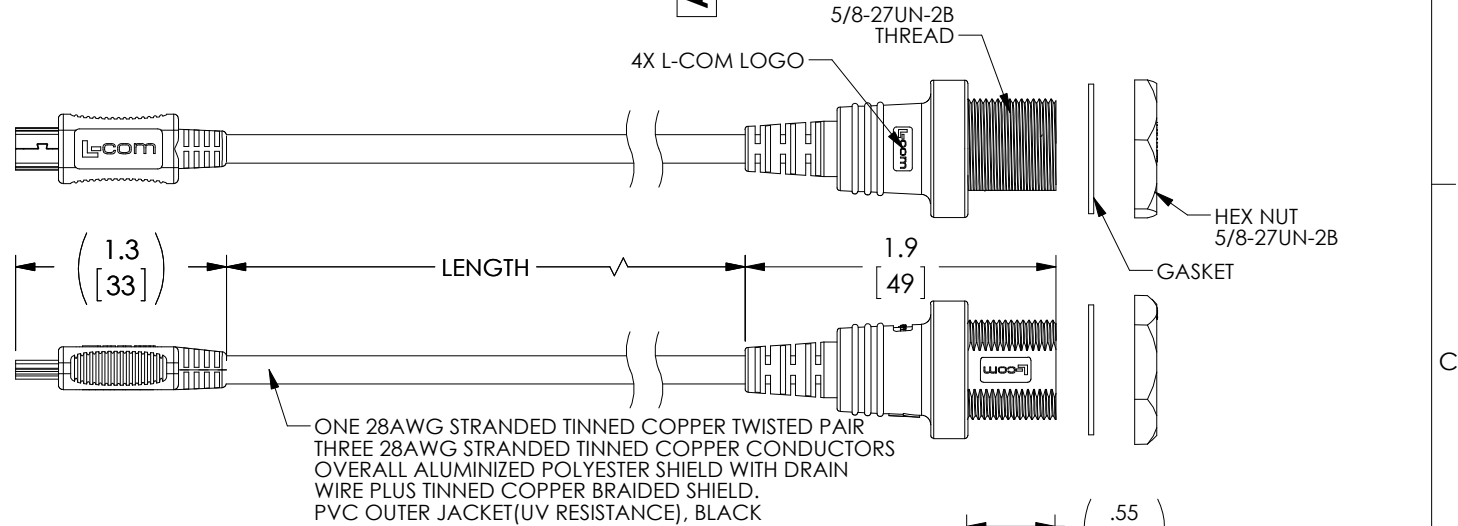


PROPRIETARY NOTICE

This document discloses confidential subject matter in which MilesTek Corporation and its subsidiaries have proprietary rights. Neither receipt nor possession thereof confers or transfers any right to reproduce or disclose the document, any part thereof, any information contained therein, or any physical article or device, or to practice any method or process, except by written permission from, or written agreement with MilesTek Corporation and its subsidiaries.

REVISIONS			
REV	DESCRIPTION	DATE	APPROVED
A	INITIAL RELEASE	06/13/17	J.YOU

PART NUMBER	LENGTH	
	FEET	METERS
MUS2A00005-03M	.98	[.3]
MUS2A00005-05M	1.64	[.5]
MUS2A00005-1M	3.28	[1.0]
MUS2A00005-2M	6.56	[2.0]



NOTES:

- CABLE ASSEMBLY SHALL BE TESTED FOR CONTINUITY
- L-COM LOGO STYLE AND MOLDED HOOD APPEARANCE MAY VARY PER L-COM SPECIFICATION
- INGRESS PROTECTION RATING IS IP67 (J1 ONLY ,MATED)
- CABLE ASSEMBLY SHALL BE INDIVIDUALLY PACKAGED IN ACCORDANCE WITH SPECIFICATION PS-0054.

REGULATORY COMPLIANCE:  
CE2011/65/EU(RoHS DIRECTIVE)

NON CONTROLLED DRAWING IF PRINTED

AS9100C CERTIFIED			CAD SYSTEM DRAWING - DO NOT REVISE MANUALLY			
UNLESS OTHERWISE SPECIFIED ALL DIMENSIONS ARE IN INCHES			SIGNATURE	DATE	MilesTek	
OVERALL CABLE LENGTH TOLERANCE: ≤12 [305] = +1 [25] / -0 >12 [305] ≤60 [1524] = +2 [51] / -0 >60 [1524] ≤120 [3048] = +4 [102] / -0 >120 [3048] ≤300 [7620] = +6 [152] / -0 >300 [7620] = +5% / -0%			DRAWN BY: J.YOU	06/13/17	MILESTEK CORPORATION 1506 INTERSTATE 35 WEST DENTON, TX 76207 PHONE: 866.524.1553 FAX: 940.591.7086	
ALL OTHER DIMENSIONAL TOLERANCES: .X = ±.2 [5.08] .XX = ±.02 [51] .XXX = ±.005 [13]			CHECKED BY: B.GATES	06/13/17	TITLE	
CUSTOMER REFERENCE DOCUMENT:			APPROVED ENGINEERING: S.PAN	06/13/17	CA WTR PR USBMB5-F/MB5-M	
DASH	NEXT ASSY	USED ON	APPROVED MANUFACTURING:	CUSTOMER APPROVAL		
APPLICATION			CAGE CODE: 42977	DRAWING NUMBER: MUS2A00005		
			SCALE: NTS			SHEET 1 OF 1