



SMA Jack Bulkhead Mount 50 Ohm Coax Connector Crimp Attachment for RG188-DS, RG316-DS, .235 inch D Hole

RF Connectors Technical Data Sheet

MTCN0046

Configuration

- SMA Female Connector
- 50 Ohms
- Straight Body Geometry
- RG188-DS, RG316-DS Interface Type
- Crimp/Solder Attachment
- Bulkhead

Applications

- General Purpose Test
- Rack and Panel Mount Applications
- Custom Cable Assemblies

Description

MilesTek RF SMA bulkhead connector will ship the same day as purchased from our broad selection of military, aerospace and industrial radio frequency components. Our bulkhead SMA connector terminates to a coax interface which includes RG188-DS and RG316-DS. This bulkhead SMA connector for coax has a 50 Ohm impedance and is just one part of our large, in-stock inventory.

Part number MTCN0046 SMA connector from MilesTek is a female gender (also known as jack). Our radio frequency SMA female (jack) crimp/solder connector is in-stock and does ship same-day.

Electrical Specifications

Description	Minimum	Typical	Maximum	Units
VSWR			1.48:1	

Mechanical Specifications

Size	
Length	0.875 in [22.23 mm]
Weight	0.008 lbs [3.63 g]

Material Specifications

Description	Material	Plating
Contact		Gold
Body	Brass	Nickel

Environmental Specifications

Compliance Certifications (see [product page](#) for current document)

Plotted and Other Data

Notes:

Click the following link (or enter part number in "SEARCH" on website) to obtain additional part information including price, inventory and certifications: [SMA Jack Bulkhead Mount 50 Ohm Coax Connector Crimp Attachment for RG188-DS, RG316-DS, .235 inch D Hole MTCN0046](#)



SMA Jack Bulkhead Mount 50 Ohm Coax Connector Crimp Attachment for RG188-DS, RG316-DS, .235 inch D Hole

RF Connectors Technical Data Sheet

MTCN0046

Our offering, used primarily in military, R&D and production applications, consists of a comprehensive line of MIL-STD-1553B data bus couplers, harnesses and cable assemblies, connectors and connector termination systems. MilesTek also offers expertise in manufacturing custom cable assemblies and harnesses.

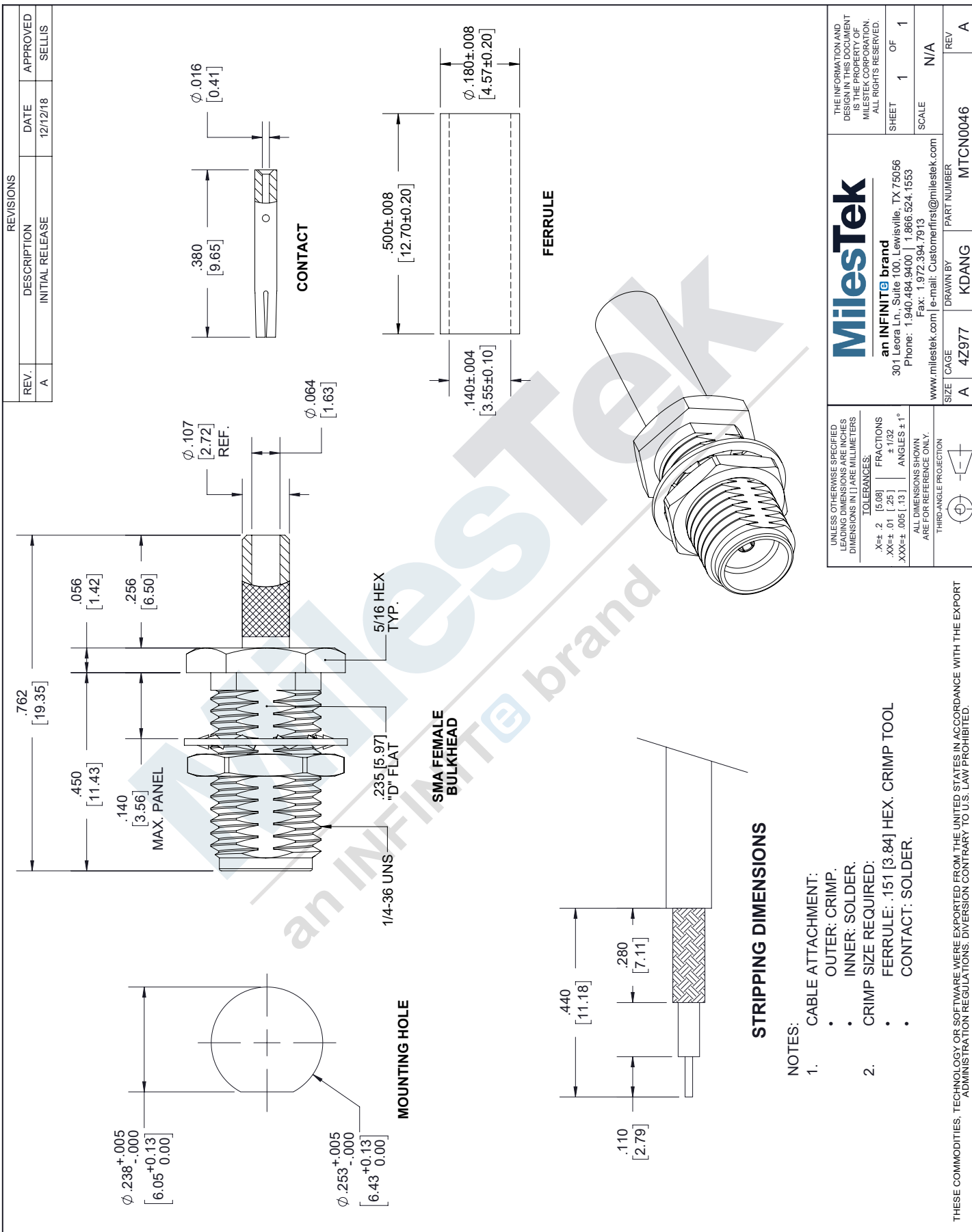
Click the following link (or enter part number in "SEARCH" on website) to obtain additional part information including price, inventory and certifications: [SMA Jack Bulkhead Mount 50 Ohm Coax Connector Crimp Attachment for RG188-DS, RG316-DS, .235 inch D Hole MTCN0046](#)

URL:

The information contained in this document is accurate to the best of our knowledge and representative of the part described herein. It may be necessary to make modifications to the part and/or the documentation of the part, in order to implement improvements. MilesTek reserves the right to make such changes as required. Unless otherwise stated, all specifications are nominal. MilesTek does not make any representation or warranty regarding the suitability of the part described herein for any particular purpose, and MilesTek does not assume any liability arising out of the use of any part or documentation.

MTCN0046 CAD Drawing

SMA Jack Bulkhead Mount 50 Ohm Coax Connector Crimp Attachment for RG188-DS, RG316-DS, .235 inch D Hole



REVISIONS			
REV.	DESCRIPTION	DATE	APPROVED
A	INITIAL RELEASE	12/12/18	SELLIS

<p>UNLESS OTHERWISE SPECIFIED LEADING DIMENSIONS ARE IN INCHES DIMENSIONS IN [] ARE IN MILLIMETERS</p> <p>TOLERANCES: .X±.2 [5.08] FRACTIONS ±1/32 .XX±.01 [.25] ANGLES ±1° XXX±.005 [.13] ARE FOR REFERENCE ONLY.</p> <p>ALL DIMENSIONS SHOWN ARE FOR REFERENCE ONLY. THRU-ANGLE PROJECTION</p>		<p>THE INFORMATION AND DESIGN IN THIS DOCUMENT IS THE PROPERTY OF MILESTEK CORPORATION. ALL RIGHTS RESERVED.</p> <p>SHEET 1 OF 1 SCALE N/A</p>	
<p>an INFINITE brand 301 Leora Ln., Suite 100, Lewisville, TX 75056 Phone: 1.940.484.9400 1.866.524.1553 Fax: 1.972.394.7913 www.milestek.com e-mail: Customerfms@milestek.com</p>		<p>REV A</p>	
SIZE	CAGE	DRAWN BY	PART NUMBER
A	42977	KDANG	MTCN0046

STRIPPING DIMENSIONS

NOTES:

- CABLE ATTACHMENT:
 - OUTER: CRIMP.
 - INNER: SOLDER.
- CRIMP SIZE REQUIRED:
 - FERRULE: .151 [3.84] HEX. CRIMP TOOL
 - CONTACT: SOLDER.

THESE COMMODITIES, TECHNOLOGY OR SOFTWARE WERE EXPORTED FROM THE UNITED STATES IN ACCORDANCE WITH THE EXPORT ADMINISTRATION REGULATIONS. DIVERSION CONTRARY TO U.S. LAW PROHIBITED.