



## BNC Jack Bulkhead Mount 50 Ohm Coax Connector Crimp Attachment for RG188-DS, RG316-DS, .480 inch D Hole

### RF Connectors Technical Data Sheet

MTCN0045

#### Configuration

- BNC Female Connector
- 50 Ohms
- Straight Body Geometry
- RG188-DS, RG316-DS Interface Type
- Crimp/Solder Attachment
- Bulkhead

#### Applications

- General Purpose Test
- Rack and Panel Mount Applications
- Custom Cable Assemblies

#### Description

MilesTek RF BNC bulkhead connector will ship the same day as purchased from our broad selection of military, aerospace and industrial radio frequency components. Our bulkhead BNC connector terminates to a coax interface which includes RG188-DS and RG316-DS. This bulkhead BNC connector for coax has a 50 Ohm impedance and is just one part of our large, in-stock inventory.

Part number MTCN0045 BNC connector from MilesTek is a female gender (also known as jack). Our radio frequency BNC female (jack) crimp/solder connector is in-stock and does ship same-day.

#### Mechanical Specifications

Weight 0.041 lbs [18.6 g]

#### Material Specifications

Description	Material	Plating
Body	Brass	Nickel

#### Environmental Specifications

**Compliance Certifications** (see [product page](#) for current document)

#### Plotted and Other Data

Notes:

Click the following link (or enter part number in "SEARCH" on website) to obtain additional part information including price, inventory and certifications: [BNC Jack Bulkhead Mount 50 Ohm Coax Connector Crimp Attachment for RG188-DS, RG316-DS, .480 inch D Hole MTCN0045](#)



## BNC Jack Bulkhead Mount 50 Ohm Coax Connector Crimp Attachment for RG188-DS, RG316-DS, .480 inch D Hole

### RF Connectors Technical Data Sheet

**MTCN0045**

Our offering, used primarily in military, R&D and production applications, consists of a comprehensive line of MIL-STD-1553B data bus couplers, harnesses and cable assemblies, connectors and connector termination systems. MilesTek also offers expertise in manufacturing custom cable assemblies and harnesses.

Click the following link (or enter part number in "SEARCH" on website) to obtain additional part information including price, inventory and certifications: [BNC Jack Bulkhead Mount 50 Ohm Coax Connector Crimp Attachment for RG188-DS, RG316-DS, .480 inch D Hole MTCN0045](#)

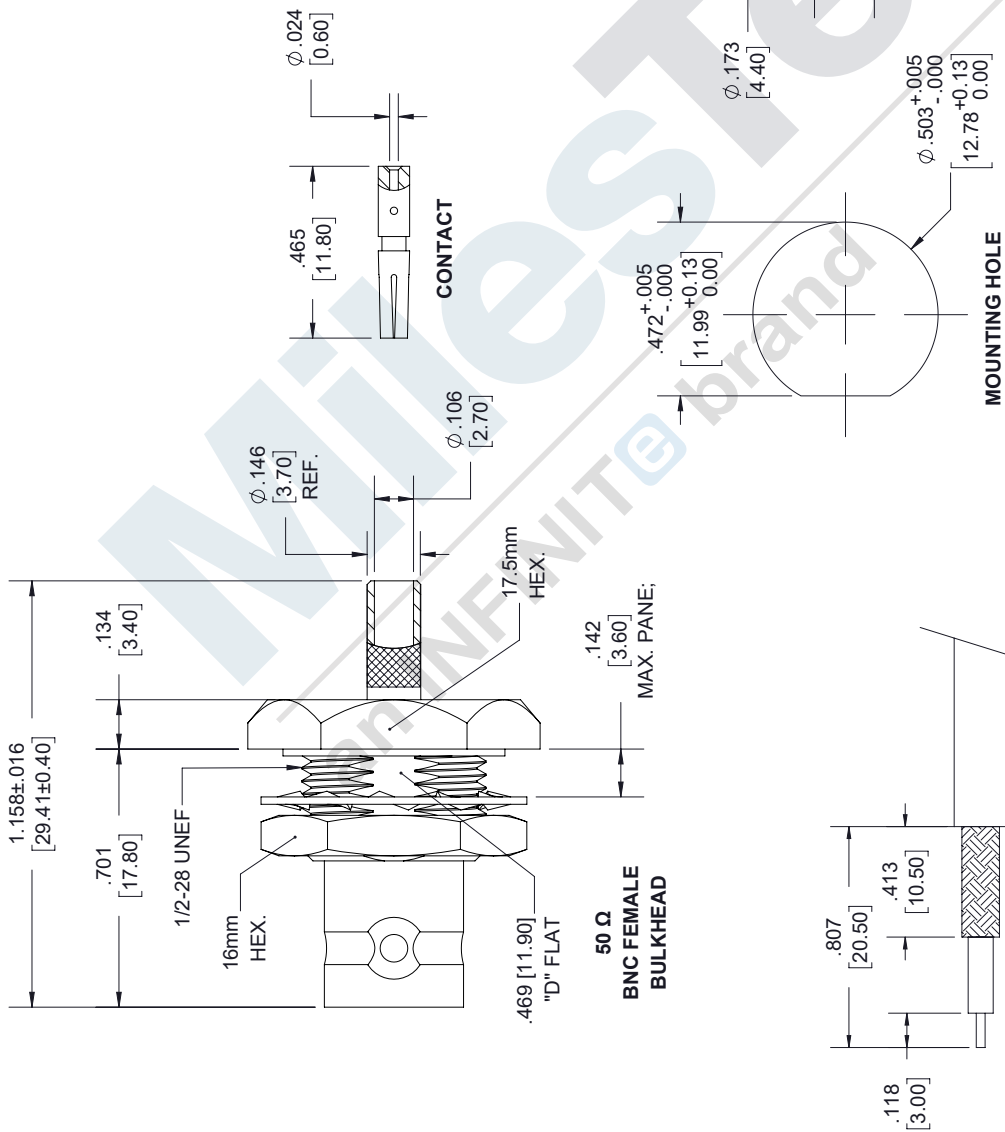
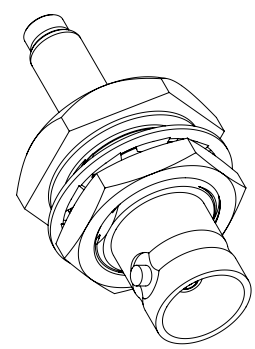
URL:

The information contained in this document is accurate to the best of our knowledge and representative of the part described herein. It may be necessary to make modifications to the part and/or the documentation of the part, in order to implement improvements. MilesTek reserves the right to make such changes as required. Unless otherwise stated, all specifications are nominal. MilesTek does not make any representation or warranty regarding the suitability of the part described herein for any particular purpose, and MilesTek does not assume any liability arising out of the use of any part or documentation.

# MTCN0045 CAD Drawing

BNC Jack Bulkhead Mount 50 Ohm Coax Connector Crimp Attachment for RG188-DS, RG316-DS, .480 inch D Hole

REVISIONS			
REV.	DESCRIPTION	DATE	APPROVED
A	INITIAL RELEASE	12/06/18	SELLIS



### STRIPPING DIMENSIONS

- NOTES:
- CABLE ATTACHMENT:
    - OUTER: CRIMP.
    - INNER: SOLDER/CRIMP.
  - CRIMP SIZE REQUIRED:
    - FERRULE: .178 [4.52] HEX. CRIMP TOOL.
    - CONTACT: .068 [1.73] HEX. CRIMP TOOL.

UNLESS OTHERWISE SPECIFIED LEADING DIMENSIONS ARE IN INCHES DIMENSIONS IN [ ] ARE IN MILLIMETERS	
TOLERANCES:	FRACTIONS
.X±.2 [5.08]	±1/32
.XX±.01 [ .25]	±1/64
XXX±.005 [ .13]	ANGLES ±1°
ALL DIMENSIONS SHOWN ARE FOR REFERENCE ONLY.	
THIRD-ANGLE PROJECTION	

**MilestTek**  
 an INFINITE brand  
 301 Leora Ln, Suite 100, Lewisville, TX 75056  
 Phone: 1.940.484.9400 | 1.866.524.1553  
 Fax: 1.972.394.7913  
 www.milesttek.com | e-mail: Customerfrts@milesttek.com

SIZE	CAGE	DRAWN BY	PART NUMBER	REV
A	4Z977	KDANG	MTCN0045	A

THE INFORMATION AND DESIGN IN THIS DOCUMENT IS THE PROPERTY OF MILESTEK CORPORATION. ALL RIGHTS RESERVED.  
 SHEET 1 OF 1  
 SCALE N/A

THESE COMMODITIES, TECHNOLOGY OR SOFTWARE WERE EXPORTED FROM THE UNITED STATES IN ACCORDANCE WITH THE EXPORT ADMINISTRATION REGULATIONS. DIVERSION CONTRARY TO U.S. LAW PROHIBITED.