



## BNC Jack Bulkhead Mount 50 Ohm Coax Connector Crimp Attachment for RG55, RG142, RG223, RG400, RG141, .480 inch D Hole

### RF Connectors Technical Data Sheet

MTCN0042

#### Configuration

- BNC Female Connector
- MIL-STD-348A
- 50 Ohms
- Straight Body Geometry
- RG55, RG142, RG223, RG400, RG141 Interface Type
- Crimp/Solder Attachment
- Bulkhead

#### Applications

- General Purpose Test
- Rack and Panel Mount Applications
- Custom Cable Assemblies

#### Description

MilesTek RF BNC bulkhead connector will ship the same day as purchased from our broad selection of military, aerospace and industrial radio frequency components. Our bulkhead BNC connector terminates to a coax interface which includes RG55, RG142, RG223, RG400 and RG141. This bulkhead BNC connector for coax has a 50 Ohm impedance and is just one part of our large, in-stock inventory.

Part number MTCN0042 BNC connector from MilesTek is a female gender (also known as jack). This RF connector from MilesTek has a 4 GHz maximum frequency. Our 4 GHz BNC connector maximum frequency applies to RG55, RG142, RG223, RG400 and RG141 interfaces but may vary between them. Our radio frequency BNC female (jack) crimp/solder connector is in-stock and does ship same-day.

#### Electrical Specifications

Description	Minimum	Typical	Maximum	Units
Frequency Range	DC		4	GHz
VSWR			1.5:1	
Operating Voltage (AC)			500	Vrms

#### Mechanical Specifications

<b>Size</b>	
Length	1.43 in [36.32 mm]
Width/Dia.	0.689 in [17.50 mm]
Weight	0.044 lbs [19.96 g]

#### Material Specifications

Description	Material	Plating
Contact	Brass	Gold 30 µin minimum
Insulation	PTFE	
Body	Brass	Nickel 100 µin minimum
Crimp Sleeve	Brass	Nickel

Click the following link (or enter part number in "SEARCH" on website) to obtain additional part information including price, inventory and certifications: [BNC Jack Bulkhead Mount 50 Ohm Coax Connector Crimp Attachment for RG55, RG142, RG223, RG400, RG141, .480 inch D Hole MTCN0042](#)



BNC Jack Bulkhead Mount 50 Ohm Coax Connector  
Crimp Attachment for RG55, RG142, RG223,  
RG400, RG141, .480 inch D Hole

## RF Connectors Technical Data Sheet

MTCN0042

Washer	Steel	Nickel
[Redacted]		

### Environmental Specifications

#### Temperature

Operating Range

-65 to 165 deg C

**Compliance Certifications** (see [product page](#) for current document)

### Plotted and Other Data

Notes:

Our offering, used primarily in military, R&D and production applications, consists of a comprehensive line of MIL-STD-1553B data bus couplers, harnesses and cable assemblies, connectors and connector termination systems. MilesTek also offers expertise in manufacturing custom cable assemblies and harnesses.

Click the following link (or enter part number in "SEARCH" on website) to obtain additional part information including price, inventory and certifications: [BNC Jack Bulkhead Mount 50 Ohm Coax Connector Crimp Attachment for RG55, RG142, RG223, RG400, RG141, .480 inch D Hole MTCN0042](#)

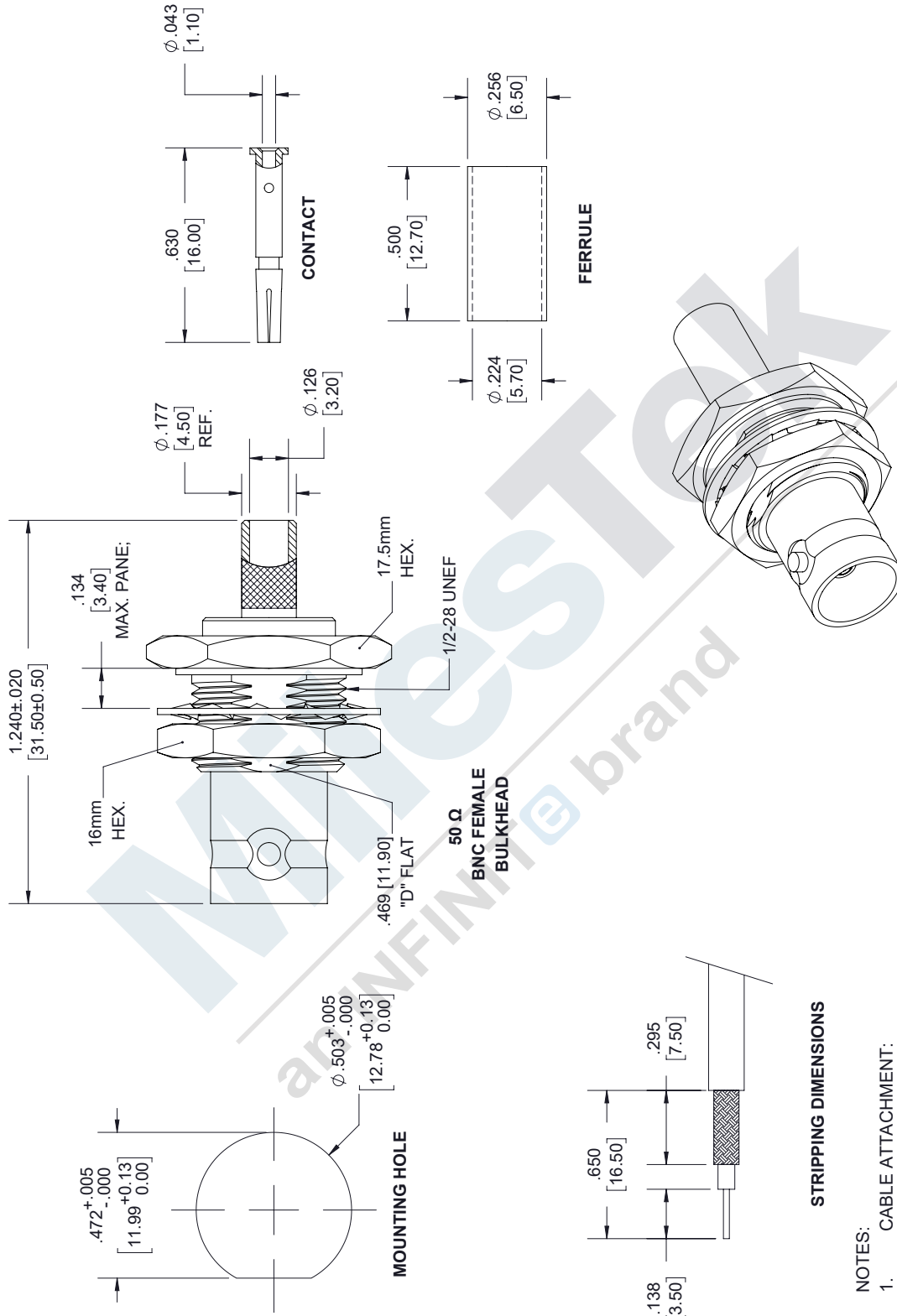
URL:

The information contained in this document is accurate to the best of our knowledge and representative of the part described herein. It may be necessary to make modifications to the part and/or the documentation of the part, in order to implement improvements. MilesTek reserves the right to make such changes as required. Unless otherwise stated, all specifications are nominal. MilesTek does not make any representation or warranty regarding the suitability of the part described herein for any particular purpose, and MilesTek does not assume any liability arising out of the use of any part or documentation.

# MTCN0042 CAD Drawing

BNC Jack Bulkhead Mount 50 Ohm Coax Connector Crimp Attachment  
for RG55, RG142, RG223, RG400, RG141, .480 inch D Hole

REVISIONS			
REV.	DESCRIPTION	DATE	APPROVED
A	INITIAL RELEASE	12/12/18	SELLIS



### STRIPPING DIMENSIONS

#### NOTES:

- CABLE ATTACHMENT:
  - OUTER: CRIMP.
  - INNER: SOLDER/CRIMP.
- CRIMP SIZE REQUIRED:
  - FERRULE: .213 [5.41] HEX. CRIMP TOOL.
  - CONTACT: .068 [1.73] HEX. CRIMP TOOL.

UNLESS OTHERWISE SPECIFIED  
LEADING DIMENSIONS ARE IN INCHES  
DIMENSIONS IN [ ] ARE IN MILLIMETERS

TOLERANCES:  
.X±.2 [5.08] FRACTIONS ±1/32  
.XX±.01 [25] ANGLES ±1°  
XXX±.005 [13] ARE FOR REFERENCE ONLY.



THE INFORMATION AND  
DESIGN IN THIS DOCUMENT  
IS THE PROPERTY OF  
MILESTEK CORPORATION.  
ALL RIGHTS RESERVED.

**Milestek**  
an INFINITE brand

301 Leora Ln., Suite 100, Lewisville, TX 75056  
Phone: 1.940.484.9400 | 1.866.524.1553  
Fax: 1.972.394.7913

www.milestek.com | e-mail: Customerfms@milestek.com

SIZE	CAGE	DRAWN BY	PART NUMBER	REV
A	42977	KDANG	MTCN0042	A

THESE COMMODITIES, TECHNOLOGY OR SOFTWARE WERE EXPORTED FROM THE UNITED STATES IN ACCORDANCE WITH THE EXPORT ADMINISTRATION REGULATIONS. DIVERSION CONTRARY TO U.S. LAW PROHIBITED.