



## SMB Jack 50 Ohm Coax Connector Crimp Attachment for RG188-DS, RG316-DS

### RF Connectors Technical Data Sheet

MTCN0034

#### Configuration

- SMB Jack Connector
- 50 Ohms
- Straight Body Geometry
- RG188-DS, RG316-DS Interface Type
- Crimp/Solder Attachment

#### Applications

- General Purpose Test
- Custom Cable Assemblies

#### Description

MilesTek RF SMB connector will ship the same day as purchased from our broad selection of military, aerospace and industrial radio frequency components. Our SMB connector terminates to a coax interface which includes RG188-DS and RG316-DS. This SMB connector for coax has a 50 Ohm impedance and is just one part of our large, in-stock inventory.

Part number MTCN0034 SMB connector from MilesTek is a jack gender (also known as female). This RF connector from MilesTek has a 4 MHz maximum frequency. Our 4 MHz SMB connector maximum frequency applies to RG188-DS and RG316-DS interfaces but may vary between them. Our radio frequency SMB jack (female) crimp/solder connector is in-stock and does ship same-day.

#### Electrical Specifications

Description	Minimum	Typical	Maximum	Units
Frequency Range	DC		4	MHz
Operating Voltage (AC)			335	Vrms

#### Mechanical Specifications

Size	
Length	0.97 in [24.64 mm]
Width/Dia.	0.25 in [6.35 mm]
Weight	0.006 lbs [2.72 g]

#### Material Specifications

Description	Material	Plating
Contact	Brass	Gold 30 μ in. Minimum
Insulation	PTFE	
Body	Brass	Nickel 100 μ in. Minimum

Click the following link (or enter part number in "SEARCH" on website) to obtain additional part information including price, inventory and certifications: [SMB Jack 50 Ohm Coax Connector Crimp Attachment for RG188-DS, RG316-DS MTCN0034](#)



## SMB Jack 50 Ohm Coax Connector Crimp Attachment for RG188-DS, RG316-DS

### RF Connectors Technical Data Sheet

MTCN0034

#### Environmental Specifications

##### Temperature

Operating Range

-65 to 165 deg C

**Compliance Certifications** (see [product page](#) for current document)

#### Plotted and Other Data

Notes:

Our offering, used primarily in military, R&D and production applications, consists of a comprehensive line of MIL-STD-1553B data bus couplers, harnesses and cable assemblies, connectors and connector termination systems. MilesTek also offers expertise in manufacturing custom cable assemblies and harnesses.

Click the following link (or enter part number in "SEARCH" on website) to obtain additional part information including price, inventory and certifications: [SMB Jack 50 Ohm Coax Connector Crimp Attachment for RG188-DS, RG316-DS MTCN0034](#)

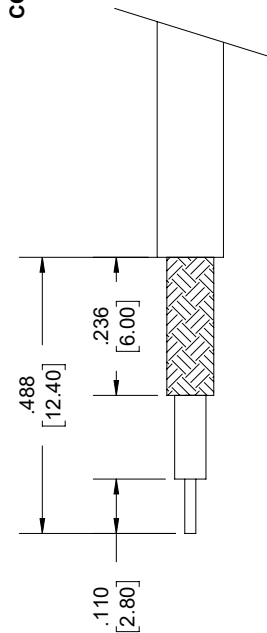
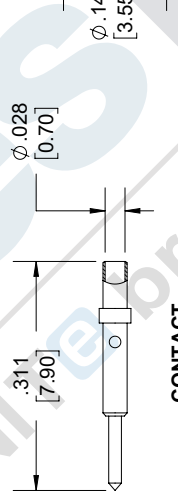
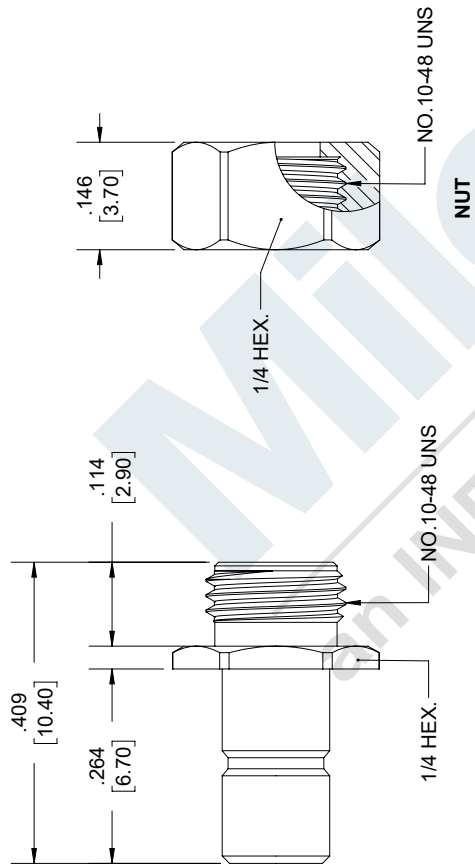
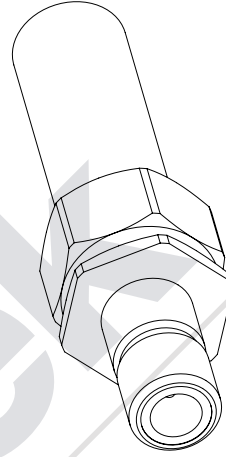
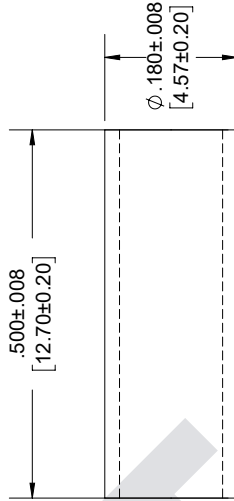
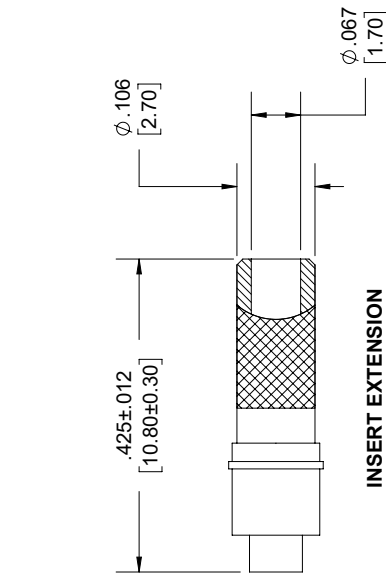
URL:

The information contained in this document is accurate to the best of our knowledge and representative of the part described herein. It may be necessary to make modifications to the part and/or the documentation of the part, in order to implement improvements. MilesTek reserves the right to make such changes as required. Unless otherwise stated, all specifications are nominal. MilesTek does not make any representation or warranty regarding the suitability of the part described herein for any particular purpose, and MilesTek does not assume any liability arising out of the use of any part or documentation.

# MTCN0034 CAD Drawing

SMB Jack 50 Ohm Coax Connector Crimp Attachment for RG188-DS, RG316-DS

REVISIONS			
REV.	DESCRIPTION	DATE	APPROVED
A	INITIAL RELEASE	12/04/18	SELLIS



**NOTES:**

- CABLE ATTACHMENT:
  - OUTER: CLAMP & CRIMP.
  - INNER: SOLDER.
- CRIMP SIZE REQUIRED:
  - FERRULE: .151 [3.84] HEX. CRIMP TOOL

UNLESS OTHERWISE SPECIFIED  
LEADING DIMENSIONS ARE IN INCHES  
DIMENSIONS IN [ ] ARE IN MILLIMETERS

**TOLERANCES:**

.X±.2 [5.08]	FRACTIONS
.XX±.01 [25]	± 1/32
XXX±.005 [13]	ANGLES ± 1°

ALL DIMENSIONS SHOWN  
ARE FOR REFERENCE ONLY.

THIRD-ANGLE PROJECTION

**Milestek**

an INFINITE brand  
301 Leora Ln., Suite 100, Lewisville, TX 75056  
Phone: 1.940.484.9400 | 1.866.524.1553  
Fax: 1.972.394.7913  
www.milestek.com | e-mail: Customerfrts@milestek.com

THE INFORMATION AND DESIGN IN THIS DOCUMENT IS THE PROPERTY OF MILESTEK CORPORATION. ALL RIGHTS RESERVED.

SHEET 1 OF 1

SCALE N/A

SIZE	CAGE	DRAWN BY	PART NUMBER	REV
A	4Z977	KDANG	MTCN0034	A

THESE COMMODITIES, TECHNOLOGY OR SOFTWARE WERE EXPORTED FROM THE UNITED STATES IN ACCORDANCE WITH THE EXPORT ADMINISTRATION REGULATIONS. DIVERSION CONTRARY TO U.S. LAW PROHIBITED.

T-RevA