



SMB Plug Right Angle 50 Ohm Coax Connector Crimp Attachment for RG188-DS, RG316-DS

RF Connectors Technical Data Sheet

MTCN0033

Configuration

- SMB Plug Connector
- MIL-STD-348A
- 50 Ohms
- Right Angle Body Geometry
- RG188-DS, RG316-DS Interface Type
- Crimp/Solder Attachment

Applications

- General Purpose Test
- Custom Cable Assemblies

Description

MilesTek RF right angle SMB connector will ship the same day as purchased from our broad selection of military, aerospace and industrial radio frequency components. Our right angle SMB connector terminates to a coax interface which includes RG188-DS and RG316-DS. This right angle SMB connector for coax has a 50 Ohm impedance and is just one part of our large, in-stock inventory.

Part number MTCN0033 SMB right angle connector from MilesTek is a plug gender (also known as male). This RF connector from MilesTek has a 4 GHz maximum frequency. Our 4 GHz SMB connector maximum frequency applies to RG188-DS and RG316-DS interfaces but may vary between them. Our radio frequency right angle SMB plug (male) crimp/solder connector is in-stock and does ship same-day.

Electrical Specifications

Description	Minimum	Typical	Maximum	Units
Frequency Range	DC		4	GHz
VSWR			1.3:1	
Operating Voltage (AC)			250	Vrms
Dielectric Withstanding Voltage (AC)			750	Vrms

Mechanical Specifications

Size

Length	0.51 in [12.95 mm]
Width/Dia.	0.256 in [6.50 mm]
Height	0.75 in [19.05 mm]
Weight	0.02 lbs [9.07 g]

Material Specifications

Description	Material	Plating
Contact	Beryllium Copper	Gold 30μ in. minimum
Insulation	Teflon	
Body	Brass	Nickel 100μ in. minimum

Click the following link (or enter part number in "SEARCH" on website) to obtain additional part information including price, inventory and certifications: [SMB Plug Right Angle 50 Ohm Coax Connector Crimp Attachment for RG188-DS, RG316-DS MTCN0033](#)



SMB Plug Right Angle 50 Ohm Coax Connector Crimp Attachment for RG188-DS, RG316-DS

RF Connectors Technical Data Sheet

MTCN0033

Environmental Specifications

Temperature

Operating Range

-65 to 165 deg C

Compliance Certifications (see [product page](#) for current document)

Plotted and Other Data

Notes:

Our offering, used primarily in military, R&D and production applications, consists of a comprehensive line of MIL-STD-1553B data bus couplers, harnesses and cable assemblies, connectors and connector termination systems. MilesTek also offers expertise in manufacturing custom cable assemblies and harnesses.

Click the following link (or enter part number in "SEARCH" on website) to obtain additional part information including price, inventory and certifications: [SMB Plug Right Angle 50 Ohm Coax Connector Crimp Attachment for RG188-DS, RG316-DS MTCN0033](#)

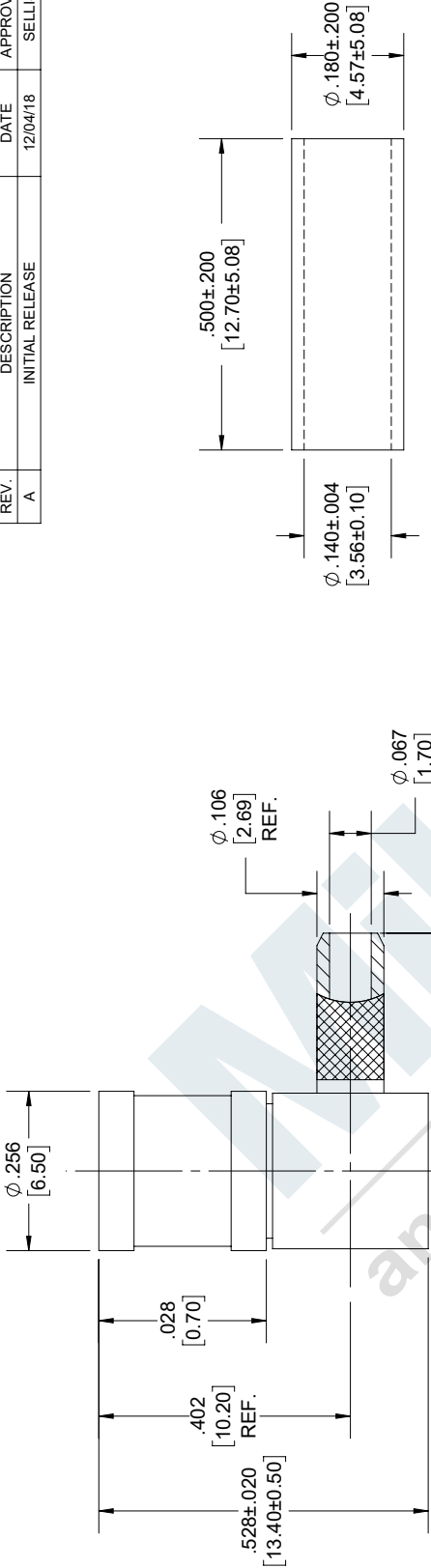
URL:

The information contained in this document is accurate to the best of our knowledge and representative of the part described herein. It may be necessary to make modifications to the part and/or the documentation of the part, in order to implement improvements. MilesTek reserves the right to make such changes as required. Unless otherwise stated, all specifications are nominal. MilesTek does not make any representation or warranty regarding the suitability of the part described herein for any particular purpose, and MilesTek does not assume any liability arising out of the use of any part or documentation.

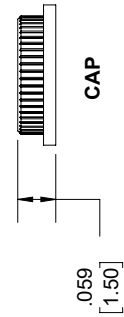
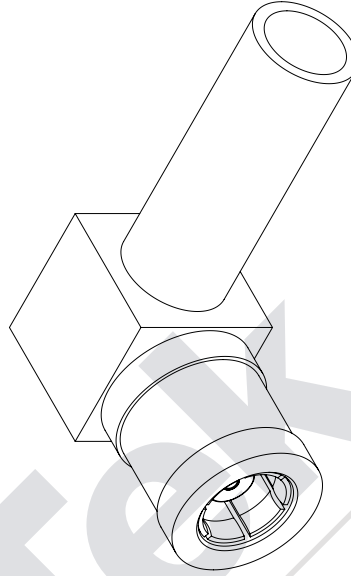
MTCN0033 CAD Drawing

SMB Plug Right Angle 50 Ohm Coax Connector Crimp Attachment for RG188-DS, RG316-DS

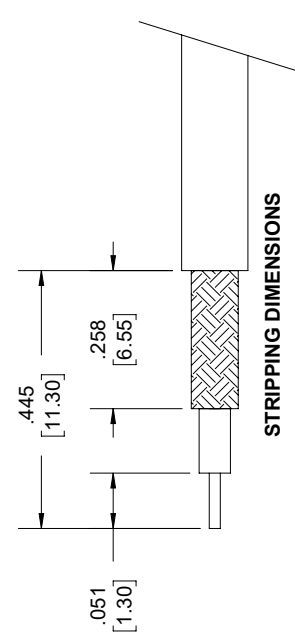
REVISIONS			
REV.	DESCRIPTION	DATE	APPROVED
A	INITIAL RELEASE	12/04/18	SELLIS



FERRULE



CRIMP TOOL



STRIPPING DIMENSIONS

- NOTES:**
- CABLE ATTACHMENT:
 - OUTER: CRIMP.
 - INNER: SOLDER.
 - CRIMP SIZE REQUIRED:
 - FERRULE: .151 [3.84] HEX. CRIMP TOOL.

UNLESS OTHERWISE SPECIFIED
LEADING DIMENSIONS ARE IN INCHES
DIMENSIONS IN [] ARE IN MILLIMETERS

TOLERANCES:

.X±.2	[5.08]	FRACTIONS	± 1/32
.XX±.01	[.25]	ANGLES ± 1°	
XXX±.005	[.13]	ALL DIMENSIONS SHOWN ARE FOR REFERENCE ONLY.	

THIRD-ANGLE PROJECTION

MilestTek
an INFINITE brand

301 Leora Ln., Suite 100, Lewisville, TX 75056
Phone: 1.940.484.9400 | 1.866.524.1553
www.milesttek.com | e-mail: Customerfrts@milesttek.com

SIZE	CAGE	DRAWN BY	PART NUMBER
A	42977	KDANG	MTCN0033

THE INFORMATION AND DESIGN IN THIS DOCUMENT IS THE PROPERTY OF MILESTTEK CORPORATION. ALL RIGHTS RESERVED.
SHEET 1 OF 1
SCALE N/A
REV A

THESE COMMODITIES, TECHNOLOGY OR SOFTWARE WERE EXPORTED FROM THE UNITED STATES IN ACCORDANCE WITH THE EXPORT ADMINISTRATION REGULATIONS. DIVERSION CONTRARY TO U.S. LAW PROHIBITED.