



## SMA Plug Right Angle 50 Ohm Coax Connector Crimp Attachment for RG188-DS, RG316-DS

### RF Connectors Technical Data Sheet

MTCN0030

#### Configuration

- SMA Male Connector
- MIL-STD-348A
- 50 Ohms
- Right Angle Body Geometry
- RG188-DS, RG316-DS Interface Type
- Crimp/Solder Attachment
- 16-May inch Hex

#### Applications

- General Purpose Test
- Custom Cable Assemblies

#### Description

MilesTek RF right angle SMA connector will ship the same day as purchased from our broad selection of military, aerospace and industrial radio frequency components. Our right angle SMA connector terminates to a coax interface which includes RG188-DS and RG316-DS. This right angle SMA connector for coax has a 50 Ohm impedance and is just one part of our large, in-stock inventory.

Part number MTCN0030 SMA right angle connector from MilesTek is a male gender (also known as plug). This RF connector from MilesTek has a 3 GHz maximum frequency. Our 3 GHz SMA connector maximum frequency applies to RG188-DS and RG316-DS interfaces but may vary between them. Our radio frequency right angle SMA male (plug) crimp/solder connector is in-stock and does ship same-day.

#### Electrical Specifications

Description	Minimum	Typical	Maximum	Units
Frequency Range	DC		3	GHz
VSWR			1.4:1	
Operating Voltage (AC)			335	Vrms
Dielectric Withstanding Voltage (AC)			750	Vrms

#### Mechanical Specifications

##### Size

Length	0.61 in [15.49 mm]
Width/Dia.	0.315 in [8.00 mm]
Height	0.69 in [17.53 mm]
Weight	0.017 lbs [7.71 g]
Mating Torque	3 to 5 in-lbs [0.34 to 0.57 Nm]

#### Material Specifications

Description	Material	Plating
Contact	Brass	Gold 50 µin minimum
Insulation	PTFE	

Click the following link (or enter part number in "SEARCH" on website) to obtain additional part information including price, inventory and certifications: [SMA Plug Right Angle 50 Ohm Coax Connector Crimp Attachment for RG188-DS, RG316-DS MTCN0030](#)



## SMA Plug Right Angle 50 Ohm Coax Connector Crimp Attachment for RG188-DS, RG316-DS

### RF Connectors Technical Data Sheet

MTCN0030

Body	Brass	Nickel 100 µin minimum
Coupling Nut	Brass	Nickel 100 µin minimum
Crimp Sleeve	Brass	Nickel

#### Environmental Specifications

##### Temperature

Operating Range

-65 to 165 deg C

**Compliance Certifications** (see [product page](#) for current document)

#### Plotted and Other Data

Notes:

Our offering, used primarily in military, R&D and production applications, consists of a comprehensive line of MIL-STD-1553B data bus couplers, harnesses and cable assemblies, connectors and connector termination systems. MilesTek also offers expertise in manufacturing custom cable assemblies and harnesses.

Click the following link (or enter part number in "SEARCH" on website) to obtain additional part information including price, inventory and certifications: [SMA Plug Right Angle 50 Ohm Coax Connector Crimp Attachment for RG188-DS, RG316-DS MTCN0030](#)

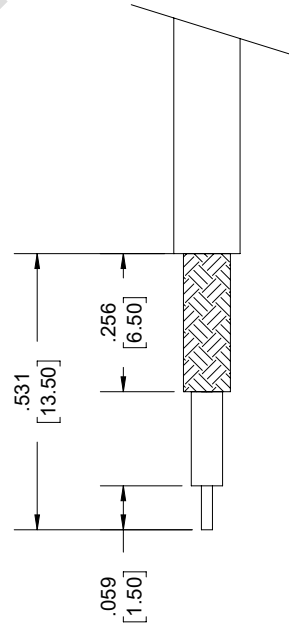
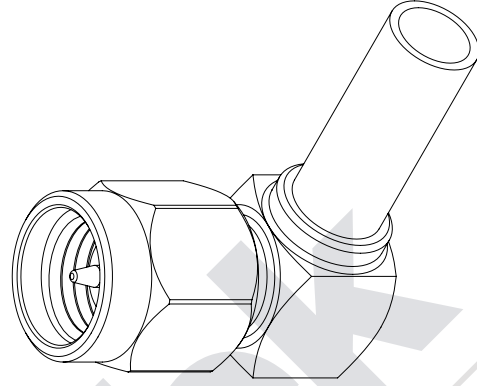
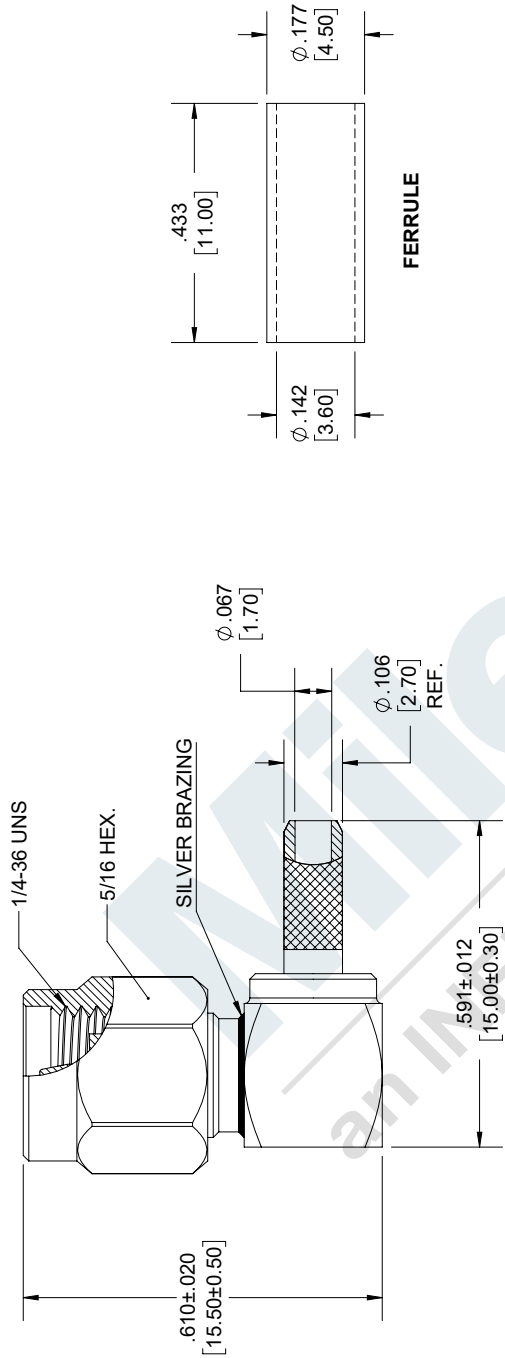
URL:

The information contained in this document is accurate to the best of our knowledge and representative of the part described herein. It may be necessary to make modifications to the part and/or the documentation of the part, in order to implement improvements. MilesTek reserves the right to make such changes as required. Unless otherwise stated, all specifications are nominal. MilesTek does not make any representation or warranty regarding the suitability of the part described herein for any particular purpose, and MilesTek does not assume any liability arising out of the use of any part or documentation.

# MTCN0030 CAD Drawing

## SMA Plug Right Angle 50 Ohm Coax Connector Crimp Attachment for RG188-DS, RG316-DS

REVISIONS			
REV.	DESCRIPTION	DATE	APPROVED
A	INITIAL RELEASE	12/04/18	SELLIS



### STRIPPING DIMENSIONS

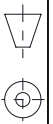
#### NOTES:

- CABLE ATTACHMENT:
  - OUTER: CRIMP.
  - INNER: SOLDER.
- CRIMP SIZE REQUIRED:
  - FERRULE: .154 [3.90] HEX. CRIMP TOOL
  - CONTACT: SOLDER.

UNLESS OTHERWISE SPECIFIED  
LEADING DIMENSIONS ARE IN INCHES  
DIMENSIONS IN [ ] ARE IN MILLIMETERS

TOLERANCES:  
 .X±.2 [5.08] FRACTIONS ± 1/32  
 .XX±.01 [.25] ANGLES ± 1°  
 XXX±.005 [.13] ALL DIMENSIONS SHOWN  
 ARE FOR REFERENCE ONLY.

THIRD-ANGLE PROJECTION



THE INFORMATION AND  
DESIGN IN THIS DOCUMENT  
IS THE PROPERTY OF  
MILESTEK CORPORATION.  
ALL RIGHTS RESERVED.

**Milestek**

an INFINITE brand  
 301 Leora Ln., Suite 100, Lewisville, TX 75056  
 Phone: 1.940.484.9400 | 1.866.524.1553  
 Fax: 1.972.394.7913  
 www.milestek.com | e-mail: Customerfrts@milestek.com

SHEET 1 OF 1  
SCALE N/A

REV A

SIZE CAGE A 42977  
 DRAWN BY KDANG  
 PART NUMBER MTCN0030

THESE COMMODITIES, TECHNOLOGY OR SOFTWARE WERE EXPORTED FROM THE UNITED STATES IN ACCORDANCE WITH THE EXPORT ADMINISTRATION REGULATIONS. DIVERSION CONTRARY TO U.S. LAW PROHIBITED.