



BNC Plug 50 Ohm Coax Connector Crimp Attachment for RG316-DS, RG188-DS, Up to 4 GHz

RF Connectors Technical Data Sheet

MTCN0027

Configuration

- BNC Male Connector
- MIL-STD-348A
- 50 Ohms
- Straight Body Geometry
- RG316-DS, RG188-DS Interface Type
- Crimp/Crimp Attachment

Applications

- General Purpose Test
- Custom Cable Assemblies

Description

MilesTek RF BNC connector will ship the same day as purchased from our broad selection of military, aerospace and industrial radio frequency components. Our BNC connector terminates to a coax interface which includes RG316-DS and RG188-DS. This BNC connector for coax has a 50 Ohm impedance and is just one part of our large, in-stock inventory.

Part number MTCN0027 BNC connector from MilesTek is a male gender (also known as plug). This RF connector from MilesTek has a 3 GHz maximum frequency. Our 3 GHz BNC connector maximum frequency applies to RG316-DS and RG188-DS interfaces but may vary between them. Our radio frequency BNC male (plug) crimp/crimp connector is in-stock and does ship same-day.

Electrical Specifications

Description	Minimum	Typical	Maximum	Units
Frequency Range	DC		3	GHz
VSWR			1.25:1	
Operating Voltage (AC)			335	Vrms

Performance by Frequency

Description	F1	F2	F3	F4	F5	Units
Frequency Range	DC to 3					GHz
VSWR, Max	1.25:1					

Mechanical Specifications

Size	
Length	1.11 in [28.19 mm]
Width/Dia.	0.57 in [14.48 mm]
Weight	0.027 lbs [12.25 g]

Material Specifications

Description	Material	Plating
Contact	Brass	Gold 50µ in. minimum

Click the following link (or enter part number in "SEARCH" on website) to obtain additional part information including price, inventory and certifications: [BNC Plug 50 Ohm Coax Connector Crimp Attachment for RG316-DS, RG188-DS, Up to 4 GHz MTCN0027](#)



BNC Plug 50 Ohm Coax Connector Crimp Attachment for RG316-DS, RG188-DS, Up to 4 GHz

RF Connectors Technical Data Sheet

MTCN0027

Insulation	Teflon	
Body	Brass	Nickel 100µ in. minimum
Coupling Nut	Brass	Nickel 100µ in. minimum

Environmental Specifications

Temperature

Operating Range

-65 to 165 deg C

Compliance Certifications (see [product page](#) for current document)

Plotted and Other Data

Notes:

Our offering, used primarily in military, R&D and production applications, consists of a comprehensive line of MIL-STD-1553B data bus couplers, harnesses and cable assemblies, connectors and connector termination systems. MilesTek also offers expertise in manufacturing custom cable assemblies and harnesses.

Click the following link (or enter part number in "SEARCH" on website) to obtain additional part information including price, inventory and certifications: [BNC Plug 50 Ohm Coax Connector Crimp Attachment for RG316-DS, RG188-DS, Up to 4 GHz MTCN0027](#)

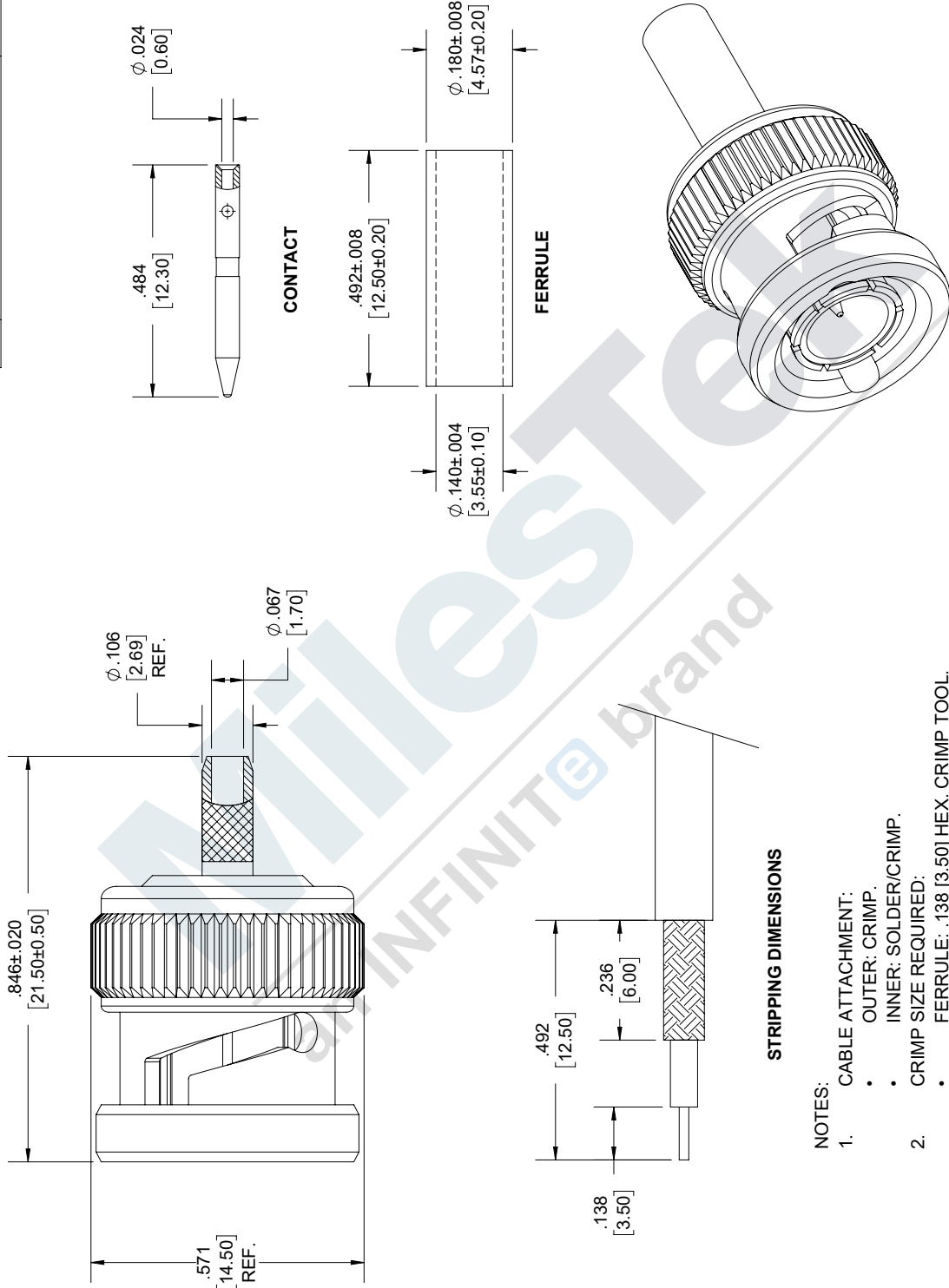
URL:

The information contained in this document is accurate to the best of our knowledge and representative of the part described herein. It may be necessary to make modifications to the part and/or the documentation of the part, in order to implement improvements. MilesTek reserves the right to make such changes as required. Unless otherwise stated, all specifications are nominal. MilesTek does not make any representation or warranty regarding the suitability of the part described herein for any particular purpose, and MilesTek does not assume any liability arising out of the use of any part or documentation.

MTCN0027 CAD Drawing

BNC Plug 50 Ohm Coax Connector Crimp Attachment
for RG316-DS, RG188-DS, Up to 4 GHz

REVISIONS			
REV.	DESCRIPTION	DATE	APPROVED
A	INITIAL RELEASE	12/04/2018	SELLIS



STRIPPING DIMENSIONS

NOTES:

- CABLE ATTACHMENT:
 - OUTER: CRIMP.
 - INNER: SOLDER/CRIMP.
- CRIMP SIZE REQUIRED:
 - FERRULE: .138 [3.50] HEX. CRIMP TOOL.
 - CONTACT: .037 [0.95] SQ. CRIMP TOOL.

UNLESS OTHERWISE SPECIFIED LEADING DIMENSIONS ARE IN INCHES DIMENSIONS IN [] ARE IN MILLIMETERS	
TOLERANCES:	
.X±.2 [5.08]	FRACTIONS ± 1/32
.XX±.01 [.25]	ANGLES ± 1°
XXX±.005 [.13]	ALL DIMENSIONS SHOWN ARE FOR REFERENCE ONLY.
THRU-ANGLE PROJECTION	

		THE INFORMATION AND DESIGN IN THIS DOCUMENT IS THE PROPERTY OF MILESTEK CORPORATION. ALL RIGHTS RESERVED.	
an INFINITE brand 301 Leora Ln., Suite 100, Lewisville, TX 75056 Phone: 1.940.484.9400 1.866.524.1553 Fax: 1.972.394.7913 www.milestek.com e-mail: Customerftr@milestek.com		SHEET 1 OF 1	REV A
SCALE N/A	PART NUMBER MTCN0027		
SIZE CAGE A 42977	DRAWN BY KDANG		

THESE COMMODITIES, TECHNOLOGY OR SOFTWARE WERE EXPORTED FROM THE UNITED STATES IN ACCORDANCE WITH THE EXPORT ADMINISTRATION REGULATIONS. DIVERSION CONTRARY TO U.S. LAW PROHIBITED.