



SMA Jack 50 Ohm Coax Connector Crimp Attachment for RG174, RG316, RG188, LMR-100

RF Connectors Technical Data Sheet

MTCN0009

Configuration

- SMA Female Connector
- MIL-STD-348
- 50 Ohms
- Straight Body Geometry
- RG174, RG316, RG188, LMR-100 Interface Type
- Crimp/Solder Attachment

Applications

- General Purpose Test
- Custom Cable Assemblies

Description

MilesTek RF SMA connector will ship the same day as purchased from our broad selection of military, aerospace and industrial radio frequency components. Our SMA connector terminates to a coax interface which includes RG174, RG316, RG188 and LMR-100. This SMA connector for coax has a 50 Ohm impedance and is just one part of our large, in-stock inventory.

Part number MTCN0009 SMA connector from MilesTek is a female gender (also known as jack). This RF connector from MilesTek has a 18 GHz maximum frequency. Our 18 GHz SMA connector maximum frequency applies to RG174, RG316, RG188 and LMR-100 interfaces but may vary between them. Our radio frequency SMA female (jack) crimp/solder connector is in-stock and does ship same-day.

Electrical Specifications

Description	Minimum	Typical	Maximum	Units
Frequency Range	DC		18	GHz
VSWR			1.5:1	
Operating Voltage (AC)			250	Vrms
Dielectric Withstanding Voltage (AC)			750	Vrms

Mechanical Specifications

Size	
Length	0.81 in [20.57 mm]
Width/Dia.	0.312 in [7.92 mm]
Weight	0.007 lbs [3.18 g]
Mating Cycles	100 Cycles

Material Specifications

Description	Material	Plating
Contact	Beryllium Copper	Gold ASTM-B488
Insulation	PTFE	
Body	Brass	Nickel ASTM-B689

Click the following link (or enter part number in "SEARCH" on website) to obtain additional part information including price, inventory and certifications: [SMA Jack 50 Ohm Coax Connector Crimp Attachment for RG174, RG316, RG188, LMR-100 MTCN0009](#)



SMA Jack 50 Ohm Coax Connector Crimp Attachment for RG174, RG316, RG188, LMR-100

RF Connectors Technical Data Sheet

MTCN0009

Environmental Specifications

Temperature

Operating Range

-65 to 165 deg C

Compliance Certifications (see [product page](#) for current document)

Plotted and Other Data

Notes:

Our offering, used primarily in military, R&D and production applications, consists of a comprehensive line of MIL-STD-1553B data bus couplers, harnesses and cable assemblies, connectors and connector termination systems. MilesTek also offers expertise in manufacturing custom cable assemblies and harnesses.

Click the following link (or enter part number in "SEARCH" on website) to obtain additional part information including price, inventory and certifications: [SMA Jack 50 Ohm Coax Connector Crimp Attachment for RG174, RG316, RG188, LMR-100 MTCN0009](#)

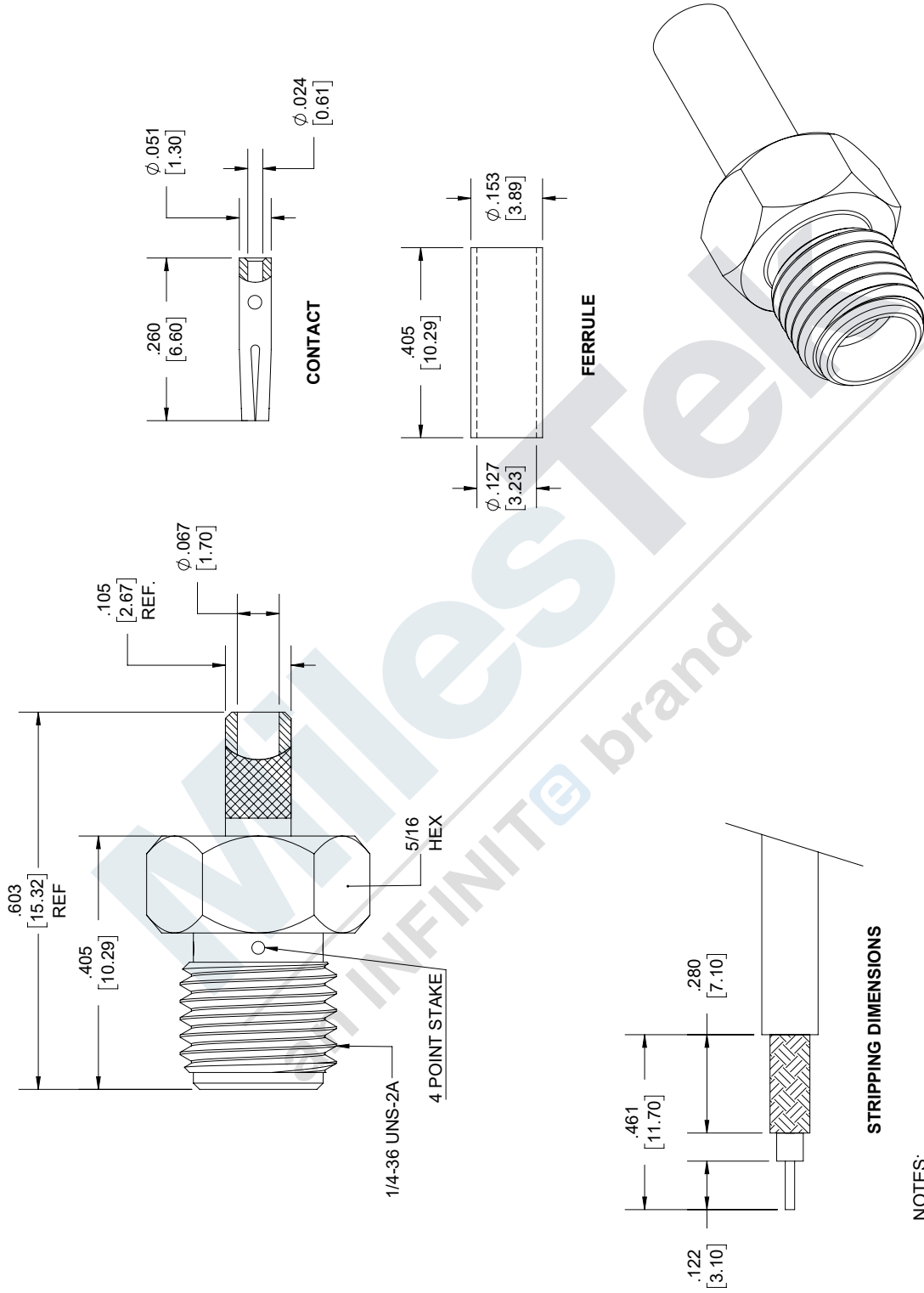
URL:

The information contained in this document is accurate to the best of our knowledge and representative of the part described herein. It may be necessary to make modifications to the part and/or the documentation of the part, in order to implement improvements. MilesTek reserves the right to make such changes as required. Unless otherwise stated, all specifications are nominal. MilesTek does not make any representation or warranty regarding the suitability of the part described herein for any particular purpose, and MilesTek does not assume any liability arising out of the use of any part or documentation.

MTCN0009 CAD Drawing

SMA Jack 50 Ohm Coax Connector Crimp Attachment for RG174, RG316, RG188, LMR-100

REVISIONS			
REV.	DESCRIPTION	DATE	APPROVED
A	INITIAL RELEASE	11/30/18	SELLIS



STRIPPING DIMENSIONS

NOTES:

- CABLE ATTACHMENT:
 - OUTER: CRIMP.
 - INNER: SOLDER.
- CRIMP SIZE REQUIRED:
 - FERRULE: .128 [3.25] HEX. CRIMP TOOL

UNLESS OTHERWISE SPECIFIED
LEADING DIMENSIONS ARE IN INCHES
DIMENSIONS IN [] ARE IN MILLIMETERS

TOLERANCES:
 .X±.2 [5.08] FRACTIONS
 .XX±.01 [.25] ± 1/32
 .XXX±.005 [0.13] ANGLES ± 1°

ALL DIMENSIONS SHOWN
ARE FOR REFERENCE ONLY.

THIRD-ANGLE PROJECTION

MilesTek

an INFINITE brand
 301 Leora Ln., Suite 100, Lewisville, TX 75056
 Phone: 1.940.484.9400 | 1.866.524.1553
 Fax: 1.972.394.7913
 www.milestek.com | e-mail: CustomerFirm@milestek.com

THE INFORMATION AND
DESIGN IN THIS DOCUMENT
IS THE PROPERTY OF
MILESTEK CORPORATION.
ALL RIGHTS RESERVED.

SHEET 1 OF 1
SCALE N/A

SIZE	CAGE	DRAWN BY	PART NUMBER	REV
A	4Z977	KDANG	MTCN0009	A

THESE COMMODITIES, TECHNOLOGY OR SOFTWARE WERE EXPORTED FROM THE UNITED STATES IN ACCORDANCE WITH THE EXPORT ADMINISTRATION REGULATIONS. DIVERSION CONTRARY TO U.S. LAW PROHIBITED.