



SMA Plug Right Angle 50 Ohm Coax Connector Crimp Attachment for RG174, RG316, RG188, LMR-100

RF Connectors Technical Data Sheet

MTCN0008

Configuration

- SMA Male Connector
- MIL-STD-348A
- 50 Ohms
- Right Angle Body Geometry
- RG174, RG316, RG188, LMR-100 Interface Type
- Crimp/Solder Attachment
- 16-May inch Hex

Applications

- General Purpose Test
- Custom Cable Assemblies

Description

MilesTek RF right angle SMA connector will ship the same day as purchased from our broad selection of military, aerospace and industrial radio frequency components. Our right angle SMA connector terminates to a coax interface which includes RG174, RG316, RG188 and LMR-100. This right angle SMA connector for coax has a 50 Ohm impedance and is just one part of our large, in-stock inventory.

Part number MTCN0008 SMA right angle connector from MilesTek is a male gender (also known as plug). This RF connector from MilesTek has a 6 GHz maximum frequency. Our 6 GHz SMA connector maximum frequency applies to RG174, RG316, RG188 and LMR-100 interfaces but may vary between them. Our radio frequency right angle SMA male (plug) crimp/solder connector is in-stock and does ship same-day.

Electrical Specifications

Description	Minimum	Typical	Maximum	Units
Frequency Range	DC		6	GHz
VSWR			1.4:1	
Operating Voltage (AC)			335	Vrms

Mechanical Specifications

Size

Length	0.61 in [15.49 mm]
Width/Dia.	0.315 in [8.00 mm]
Height	0.591 in [15.01 mm]
Weight	0.016 lbs [7.26 g]
Mating Torque	3 to 5 in-lbs [0.34 to 0.57 Nm]

Material Specifications

Description	Material	Plating
Contact	Brass	Gold 50 µin minimum
Insulation	PTFE	

Click the following link (or enter part number in "SEARCH" on website) to obtain additional part information including price, inventory and certifications: [SMA Plug Right Angle 50 Ohm Coax Connector Crimp Attachment for RG174, RG316, RG188, LMR-100 MTCN0008](#)



SMA Plug Right Angle 50 Ohm Coax Connector Crimp Attachment for RG174, RG316, RG188, LMR-100

RF Connectors Technical Data Sheet

MTCN0008

Body	Brass	Nickel 100 µin minimum
Coupling Nut	Brass	Nickel 100 µin minimum
Crimp Sleeve	Brass	Nickel

Environmental Specifications

Temperature

Operating Range

-65 to 165 deg C

Compliance Certifications (see [product page](#) for current document)

Plotted and Other Data

Notes:

Our offering, used primarily in military, R&D and production applications, consists of a comprehensive line of MIL-STD-1553B data bus couplers, harnesses and cable assemblies, connectors and connector termination systems. MilesTek also offers expertise in manufacturing custom cable assemblies and harnesses.

Click the following link (or enter part number in "SEARCH" on website) to obtain additional part information including price, inventory and certifications: [SMA Plug Right Angle 50 Ohm Coax Connector Crimp Attachment for RG174, RG316, RG188, LMR-100 MTCN0008](#)

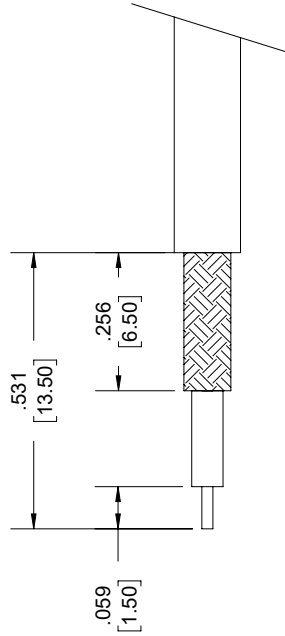
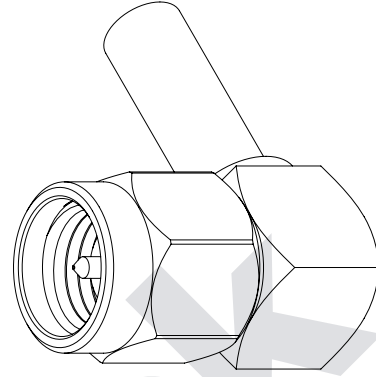
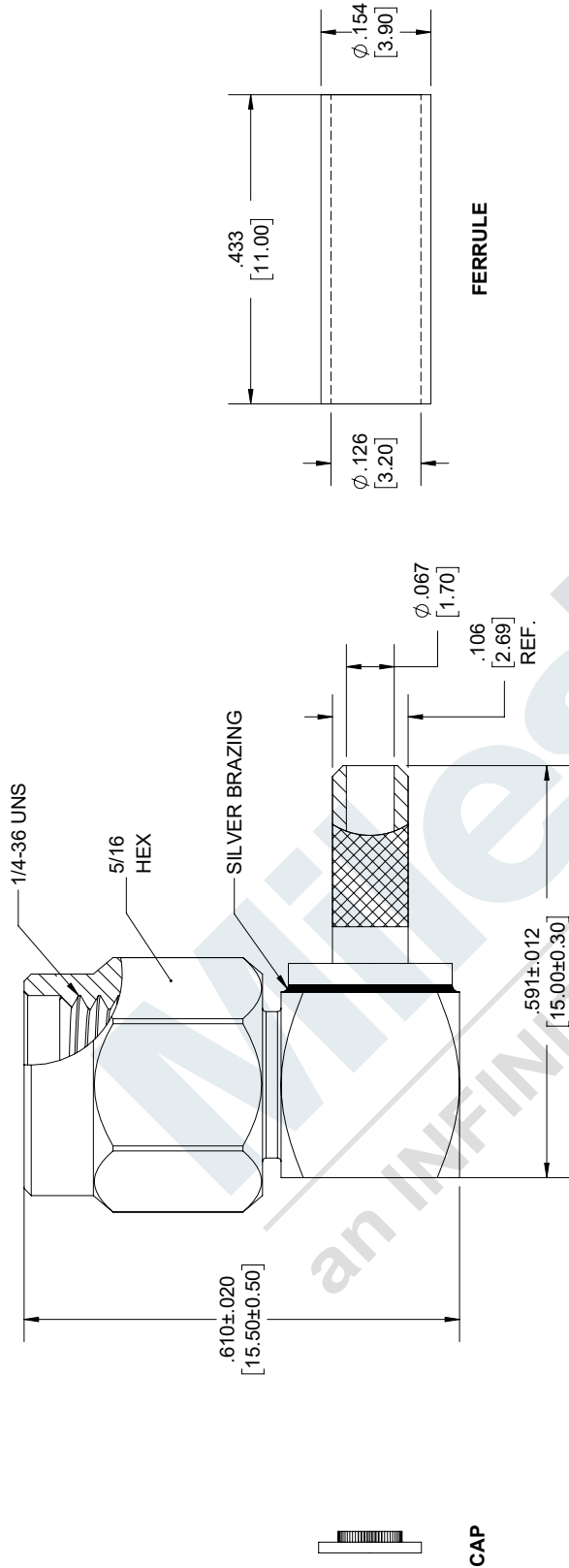
URL:

The information contained in this document is accurate to the best of our knowledge and representative of the part described herein. It may be necessary to make modifications to the part and/or the documentation of the part, in order to implement improvements. MilesTek reserves the right to make such changes as required. Unless otherwise stated, all specifications are nominal. MilesTek does not make any representation or warranty regarding the suitability of the part described herein for any particular purpose, and MilesTek does not assume any liability arising out of the use of any part or documentation.

MTCN0008 CAD Drawing

SMA Plug Right Angle 50 Ohm Coax Connector Crimp
Attachment for RG174, RG316, RG188, LMR-100

REVISIONS			
REV.	DESCRIPTION	DATE	APPROVED
A	INITIAL RELEASE	11/30/18	SELLIS



STRIPPING DIMENSIONS

NOTES:

- CABLE ATTACHMENT:
 - OUTER: CRIMP.
 - INNER: SOLDER.
- CRIMP SIZE REQUIRED:
 - FERRULE: .134 [3.40] HEX. CRIMP TOOL.
 - CONTACT: SOLDER.

UNLESS OTHERWISE SPECIFIED
LEADING DIMENSIONS ARE IN INCHES
DIMENSIONS IN [] ARE IN MILLIMETERS

TOLERANCES:
 .X±.2 [5.08] FRACTIONS ± 1/32
 .XX±.01 [25] ANGLES ± 1°
 XXX±.005 [13] ARE FOR REFERENCE ONLY.

ALL DIMENSIONS SHOWN
ARE FOR REFERENCE ONLY.

THRD-ANGLE PROJECTION

Milestek
an INFINITE brand

301 Leora Ln., Suite 100, Lewisville, TX 75056
Phone: 1.940.484.9400 | 1.866.524.1553
Fax: 1.972.394.7913
www.milestek.com | e-mail: CustomerFits@milestek.com

THE INFORMATION AND
DESIGN IN THIS DOCUMENT
IS THE PROPERTY OF
MILESTEK CORPORATION.
ALL RIGHTS RESERVED.

SHEET 1 OF 1
SCALE N/A

SIZE	CAGE	DRAWN BY	PART NUMBER	REV
A	42977	KDANG	MTCN0008	A

THESE COMMODITIES, TECHNOLOGY OR SOFTWARE WERE EXPORTED FROM THE UNITED STATES IN ACCORDANCE WITH THE EXPORT ADMINISTRATION REGULATIONS. DIVERSION CONTRARY TO U.S. LAW PROHIBITED.

T-RevA