



## BNC Jack 50 Ohm Coax Connector Crimp Attachment for RG174, RG316, RG188, LMR-100

### RF Connectors Technical Data Sheet

MTCN0006

#### Configuration

- BNC Female Connector
- MIL-STD-348A
- 50 Ohms
- Straight Body Geometry
- RG174, RG316, RG188, LMR-100 Interface Type
- Crimp/Solder Attachment

#### Applications

- General Purpose Test
- Custom Cable Assemblies

#### Description

MilesTek RF BNC connector will ship the same day as purchased from our broad selection of military, aerospace and industrial radio frequency components. Our BNC connector terminates to a coax interface which includes RG174, RG316, RG188 and LMR-100. This BNC connector for coax has a 50 Ohm impedance and is just one part of our large, in-stock inventory.

Part number MTCN0006 BNC connector from MilesTek is a female gender (also known as jack). This RF connector from MilesTek has a 1 GHz maximum frequency. Our 1 GHz BNC connector maximum frequency applies to RG174, RG316, RG188 and LMR-100 interfaces but may vary between them. Our radio frequency BNC female (jack) crimp/solder connector is in-stock and does ship same-day.

#### Electrical Specifications

| Description            | Minimum | Typical | Maximum | Units |
|------------------------|---------|---------|---------|-------|
| Frequency Range        | DC      |         | 1,000   | MHz   |
| VSWR                   |         |         | 1.5:1   |       |
| Operating Voltage (AC) |         |         | 500     | Vrms  |

#### Mechanical Specifications

| Size       |                     |
|------------|---------------------|
| Length     | 1.28 in [32.51 mm]  |
| Width/Dia. | 0.453 in [11.51 mm] |
| Weight     | 0.022 lbs [9.98 g]  |

#### Material Specifications

| Description  | Material | Plating                   |
|--------------|----------|---------------------------|
| Contact      | Brass    | Gold<br>30 µin minimum    |
| Insulation   | PTFE     |                           |
| Body         | Brass    | Nickel<br>100 µin minimum |
| Crimp Sleeve | Brass    | Nickel                    |

Click the following link (or enter part number in "SEARCH" on website) to obtain additional part information including price, inventory and certifications: [BNC Jack 50 Ohm Coax Connector Crimp Attachment for RG174, RG316, RG188, LMR-100 MTCN0006](#)



## BNC Jack 50 Ohm Coax Connector Crimp Attachment for RG174, RG316, RG188, LMR-100

### RF Connectors Technical Data Sheet

MTCN0006

#### Environmental Specifications

##### Temperature

Operating Range

-65 to 165 deg C

**Compliance Certifications** (see [product page](#) for current document)

#### Plotted and Other Data

Notes:

Our offering, used primarily in military, R&D and production applications, consists of a comprehensive line of MIL-STD-1553B data bus couplers, harnesses and cable assemblies, connectors and connector termination systems. MilesTek also offers expertise in manufacturing custom cable assemblies and harnesses.

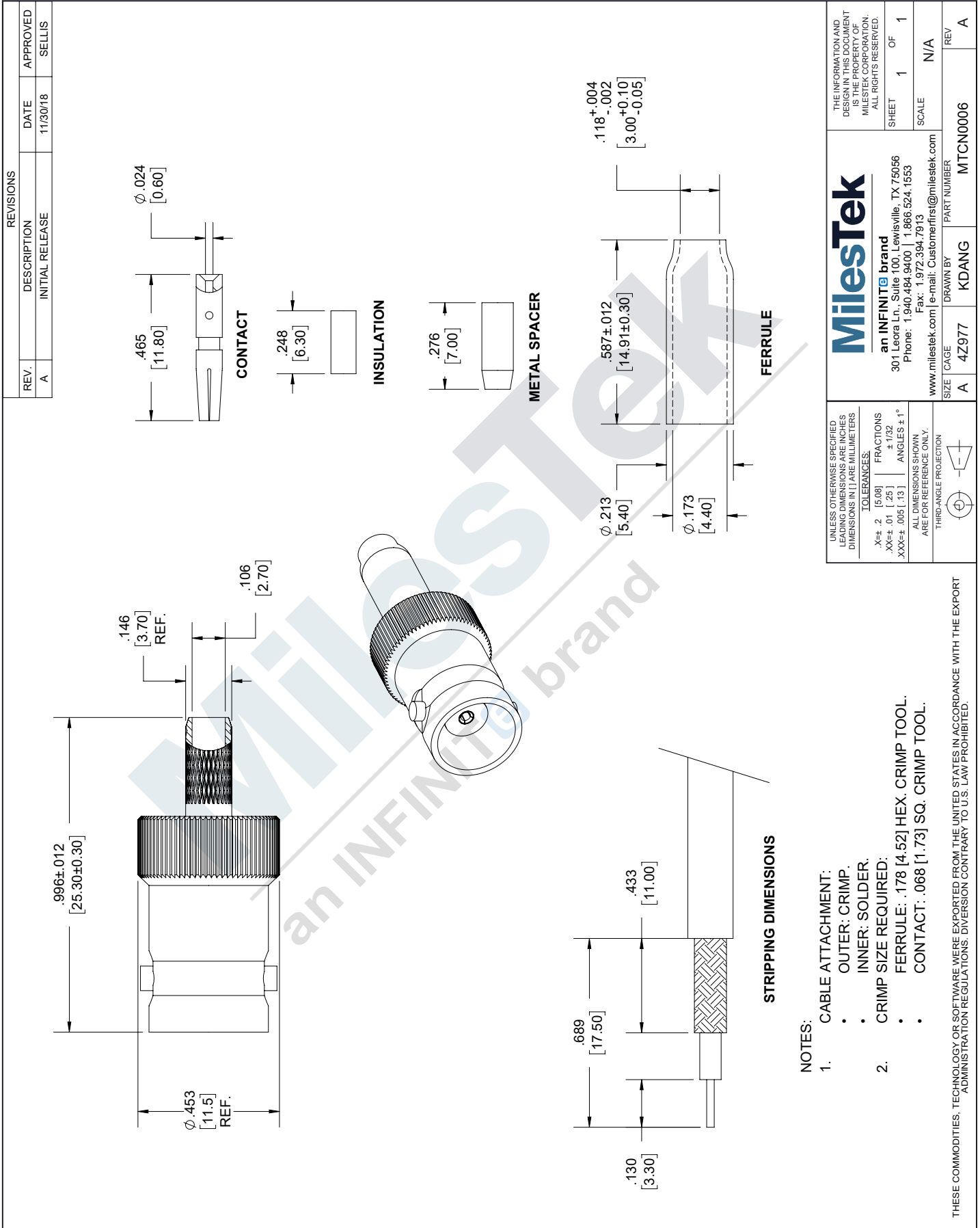
Click the following link (or enter part number in "SEARCH" on website) to obtain additional part information including price, inventory and certifications: [BNC Jack 50 Ohm Coax Connector Crimp Attachment for RG174, RG316, RG188, LMR-100 MTCN0006](#)

URL:

The information contained in this document is accurate to the best of our knowledge and representative of the part described herein. It may be necessary to make modifications to the part and/or the documentation of the part, in order to implement improvements. MilesTek reserves the right to make such changes as required. Unless otherwise stated, all specifications are nominal. MilesTek does not make any representation or warranty regarding the suitability of the part described herein for any particular purpose, and MilesTek does not assume any liability arising out of the use of any part or documentation.

# MTCN0006 CAD Drawing

## BNC Jack 50 Ohm Coax Connector Crimp Attachment for RG174, RG316, RG188, LMR-100



| REVISIONS |                 |          |          |
|-----------|-----------------|----------|----------|
| REV.      | DESCRIPTION     | DATE     | APPROVED |
| A         | INITIAL RELEASE | 11/30/18 | SELLIS   |

|   |       |   |             |
|---|-------|---|-------------|
| <p>UNLESS OTHERWISE SPECIFIED<br/>LEADING DIMENSIONS ARE IN INCHES<br/>DIMENSIONS IN [ ] ARE IN MILLIMETERS</p> <p>TOLERANCES:<br/>         .X±.2 [5.08] FRACTIONS ± 1/32<br/>         .XX±.01 [ .25] ± .005<br/>         .XXX±.005 [ .13] ANGLES ± 1°<br/>         ALL DIMENSIONS SHOWN<br/>         ARE FOR REFERENCE ONLY.</p> <p>THIRD-ANGLE PROJECTION</p> |       | <p>THE INFORMATION AND DESIGN IN THIS DOCUMENT IS THE PROPERTY OF MILESTEK CORPORATION. ALL RIGHTS RESERVED.</p> <p>SHEET 1 OF 1</p> <p>SCALE N/A</p> |             |
| <p>an INFINITE brand<br/>         301 Leora Ln., Suite 100, Lewisville, TX 75066<br/>         Phone: 1.940.484.9400   1.866.524.1553<br/>         Fax: 1.972.394.7913<br/>         www.milestek.com   e-mail: Customerfrts@milestek.com</p>   |       | <p>REV A</p>  |             |
| SIZE  | CAGE  | DRAWN BY  | PART NUMBER |
| A   | 42977 | KDANG   | MTCN0006    |

- NOTES:
- CABLE ATTACHMENT:
    - OUTER: CRIMP.
    - INNER: SOLDER.
  - CRIMP SIZE REQUIRED:
    - FERRULE: .178 [4.52] HEX. CRIMP TOOL.
    - CONTACT: .068 [1.73] SQ. CRIMP TOOL.
- THESE COMMODITIES, TECHNOLOGY OR SOFTWARE WERE EXPORTED FROM THE UNITED STATES IN ACCORDANCE WITH THE EXPORT ADMINISTRATION REGULATIONS. DIVERSION CONTRARY TO U.S. LAW PROHIBITED.