



BNC Jack 50 Ohm Coax Connector Crimp Attachment for RG58, LMR-195, RG141, RG303

RF Connectors Technical Data Sheet

MTCN0003

Configuration

- BNC Female Connector
- MIL-STD-348A
- 50 Ohms
- Straight Body Geometry
- RG58, LMR-195, RG141, RG303 Interface Type
- Crimp/Solder Attachment

Applications

- General Purpose Test
- Custom Cable Assemblies

Description

MilesTek RF BNC connector will ship the same day as purchased from our broad selection of military, aerospace and industrial radio frequency components. Our BNC connector terminates to a coax interface which includes RG58, LMR-195, RG141 and RG303. This BNC connector for coax has a 50 Ohm impedance and is just one part of our large, in-stock inventory.

Part number MTCN0003 BNC connector from MilesTek is a female gender (also known as jack). This RF connector from MilesTek has a 4 GHz maximum frequency. Our 4 GHz BNC connector maximum frequency applies to RG58, LMR-195, RG141 and RG303 interfaces but may vary between them. Our radio frequency BNC female (jack) crimp/solder connector is in-stock and does ship same-day.

Electrical Specifications

Description	Minimum	Typical	Maximum	Units
Frequency Range	DC		4	GHz
VSWR			1.3:1	
Operating Voltage (AC)			500	Vrms
Dielectric Withstanding Voltage (AC)			1,500	Vrms
Inner Conductor DC Resistance			1.5	mOhms
Outer Conductor DC Resistance			0.5	mOhms
Insulation Resistance	5,000			MOhms

Performance by Frequency

Description	F1	F2	F3	F4	F5	Units
Frequency Range	DC to 3					GHz
Insertion Loss, Max	0.2					dB

Electrical Specification Notes:
RF leakage: 55 dB min at 3 GHz.

Mechanical Specifications

Size

Length 1.425 in [36.2 mm]
Width/Dia. 0.57 in [14.48 mm]

Click the following link (or enter part number in "SEARCH" on website) to obtain additional part information including price, inventory and certifications: [BNC Jack 50 Ohm Coax Connector Crimp Attachment for RG58, LMR-195, RG141, RG303 MTCN0003](#)



BNC Jack 50 Ohm Coax Connector Crimp Attachment for RG58, LMR-195, RG141, RG303

RF Connectors Technical Data Sheet

MTCN0003

Weight	0.032 lbs [14.51 g]
Mating Cycles	500 Cycles

Material Specifications

Description	Material	Plating
Contact	Brass	Gold 30 µin minimum
Insulation	PTFE	
Body	Brass	Nickel 100 µin minimum

Environmental Specifications

Temperature

Operating Range

-65 to 165 deg C

Vibration

MIL-STD-202, Method 204, Condition B

Temperature Cycle

MIL-STD-202, Method 107, Condition B

Salt Spray

MIL-STD-202, Method 101, Condition B

Compliance Certifications (see [product page](#) for current document)

Plotted and Other Data

Notes:

Our offering, used primarily in military, R&D and production applications, consists of a comprehensive line of MIL-STD-1553B data bus couplers, harnesses and cable assemblies, connectors and connector termination systems. MilesTek also offers expertise in manufacturing custom cable assemblies and harnesses.

Click the following link (or enter part number in "SEARCH" on website) to obtain additional part information including price, inventory and certifications: [BNC Jack 50 Ohm Coax Connector Crimp Attachment for RG58, LMR-195, RG141, RG303 MTCN0003](#)

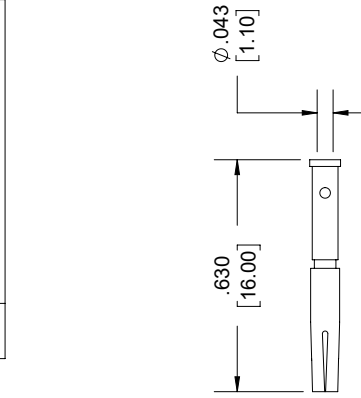
URL:

The information contained in this document is accurate to the best of our knowledge and representative of the part described herein. It may be necessary to make modifications to the part and/or the documentation of the part, in order to implement improvements. MilesTek reserves the right to make such changes as required. Unless otherwise stated, all specifications are nominal. MilesTek does not make any representation or warranty regarding the suitability of the part described herein for any particular purpose, and MilesTek does not assume any liability arising out of the use of any part or documentation.

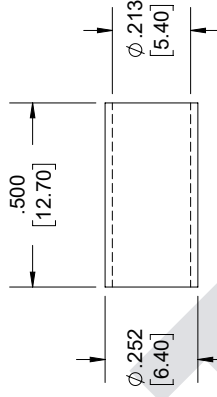
MTCN0003 CAD Drawing

BNC Jack 50 Ohm Coax Connector Crimp Attachment for RG58, LMR-195, RG141, RG303

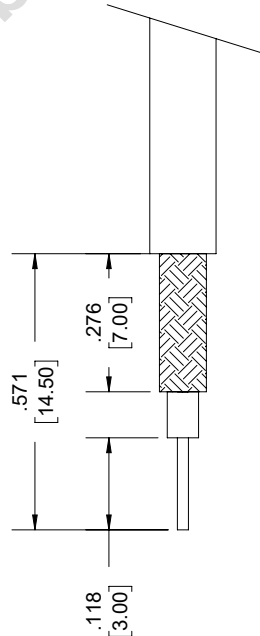
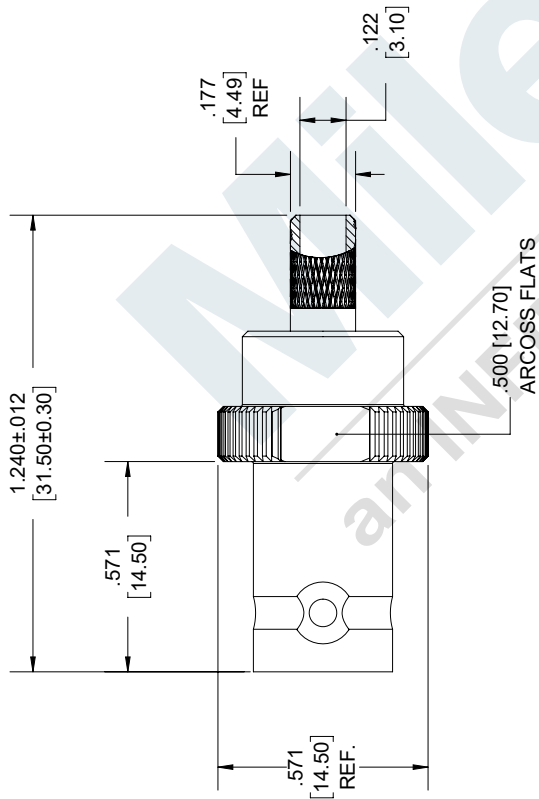
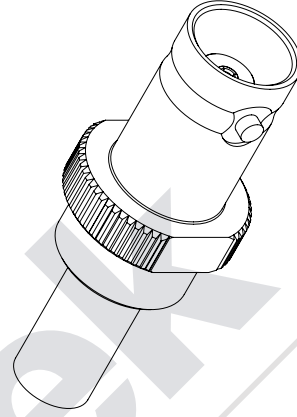
REVISIONS			
REV.	DESCRIPTION	DATE	APPROVED
A	INITIAL RELEASE	12/11/2018	SELLIS



CONTACT



FERRULE



STRIPPING DIMENSIONS

NOTES:

- CABLE ATTACHMENT:
 - OUTER: CRIMP.
 - INNER: SOLDER/CRIMP.
- CRIMP SIZE REQUIRED:
 - FERRULE: .213 [5.87] HEX. CRIMP TOOL.
 - CONTACT: .068 [1.73] HEX. CRIMP TOOL.

UNLESS OTHERWISE SPECIFIED
LEADING DIMENSIONS ARE IN INCHES
DIMENSIONS IN [] ARE IN MILLIMETERS

TOLERANCES:
 .X±.2 [5.08] FRACTIONS
 .XX±.01 [.25] ± 1/32
 XXX±.005 [.13] ANGLES ± 1°

ALL DIMENSIONS SHOWN
ARE FOR REFERENCE ONLY.

THIRD-ANGLE PROJECTION

MilestTek

an INFINITE brand
 301 Leora Ln., Suite 100, Lewisville, TX 75056
 Phone: 1.940.484.9400 | 1.866.524.1553
 Fax: 1.972.394.7913
 www.milesttek.com | e-mail: Customerfms@milesttek.com

THE INFORMATION AND DESIGN IN THIS DOCUMENT IS THE PROPERTY OF MILESTEK CORPORATION. ALL RIGHTS RESERVED.
SHEET 1 OF 1
SCALE N/A
REV A

SIZE	CAGE	DRAWN BY	PART NUMBER
A	42977	KDANG	MTCN0003

THESE COMMODITIES, TECHNOLOGY OR SOFTWARE WERE EXPORTED FROM THE UNITED STATES IN ACCORDANCE WITH THE EXPORT ADMINISTRATION REGULATIONS. DIVERSION CONTRARY TO U.S. LAW PROHIBITED.