



BNC Plug Right Angle 50 Ohm Coax Connector Crimp Attachment for RG58, RG303, RG141, LMR-195

RF Connectors Technical Data Sheet

MTCN0002

Configuration

- BNC Male Connector
- MIL-STD-348A
- 50 Ohms
- Right Angle Body Geometry
- RG58, RG303, RG141, LMR-195 Interface Type
- Crimp/Crimp Attachment

Applications

- General Purpose Test
- Custom Cable Assemblies

Description

MilesTek RF right angle BNC connector will ship the same day as purchased from our broad selection of military, aerospace and industrial radio frequency components. Our right angle BNC connector terminates to a coax interface which includes RG58, RG303, RG141 and LMR-195. This right angle BNC connector for coax has a 50 Ohm impedance and is just one part of our large, in-stock inventory.

Part number MTCN0002 BNC right angle connector from MilesTek is a male gender (also known as plug). This RF connector from MilesTek has a 3 GHz maximum frequency. Our 3 GHz BNC connector maximum frequency applies to RG58, RG303, RG141 and LMR-195 interfaces but may vary between them. Our radio frequency right angle BNC male (plug) crimp/crimp connector is in-stock and does ship same-day.

Electrical Specifications

Description	Minimum	Typical	Maximum	Units
Frequency Range	DC		3	GHz
VSWR			1.3:1	
Operating Voltage (AC)			500	Vrms

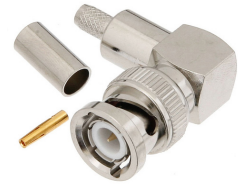
Mechanical Specifications

Size	
Length	1.345 in [34.16 mm]
Width/Dia.	0.571 in [14.50 mm]
Height	1.145 in [29.08 mm]
Weight	0.054 lbs [24.49 g]

Material Specifications

Description	Material	Plating
Contact	Brass	Gold 30 µin minimum
Insulation	PTFE	
Body	Brass	Nickel 100 µin minimum

Click the following link (or enter part number in "SEARCH" on website) to obtain additional part information including price, inventory and certifications: [BNC Plug Right Angle 50 Ohm Coax Connector Crimp Attachment for RG58, RG303, RG141, LMR-195 MTCN0002](#)



BNC Plug Right Angle 50 Ohm Coax Connector Crimp Attachment for RG58, RG303, RG141, LMR-195

RF Connectors Technical Data Sheet

MTCN0002

Coupling Nut	Brass	Nickel 100 µin minimum
Crimp Sleeve	Brass	Nickel

Environmental Specifications

Temperature

Operating Range

-65 to 165 deg C

Compliance Certifications (see [product page](#) for current document)

Plotted and Other Data

Notes:

Our offering, used primarily in military, R&D and production applications, consists of a comprehensive line of MIL-STD-1553B data bus couplers, harnesses and cable assemblies, connectors and connector termination systems. MilesTek also offers expertise in manufacturing custom cable assemblies and harnesses.

Click the following link (or enter part number in "SEARCH" on website) to obtain additional part information including price, inventory and certifications: [BNC Plug Right Angle 50 Ohm Coax Connector Crimp Attachment for RG58, RG303, RG141, LMR-195 MTCN0002](#)

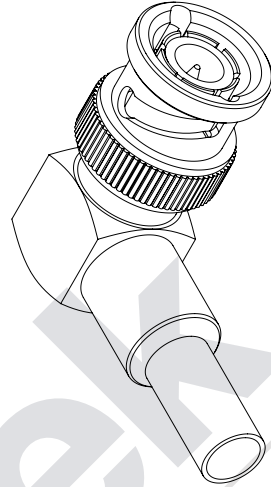
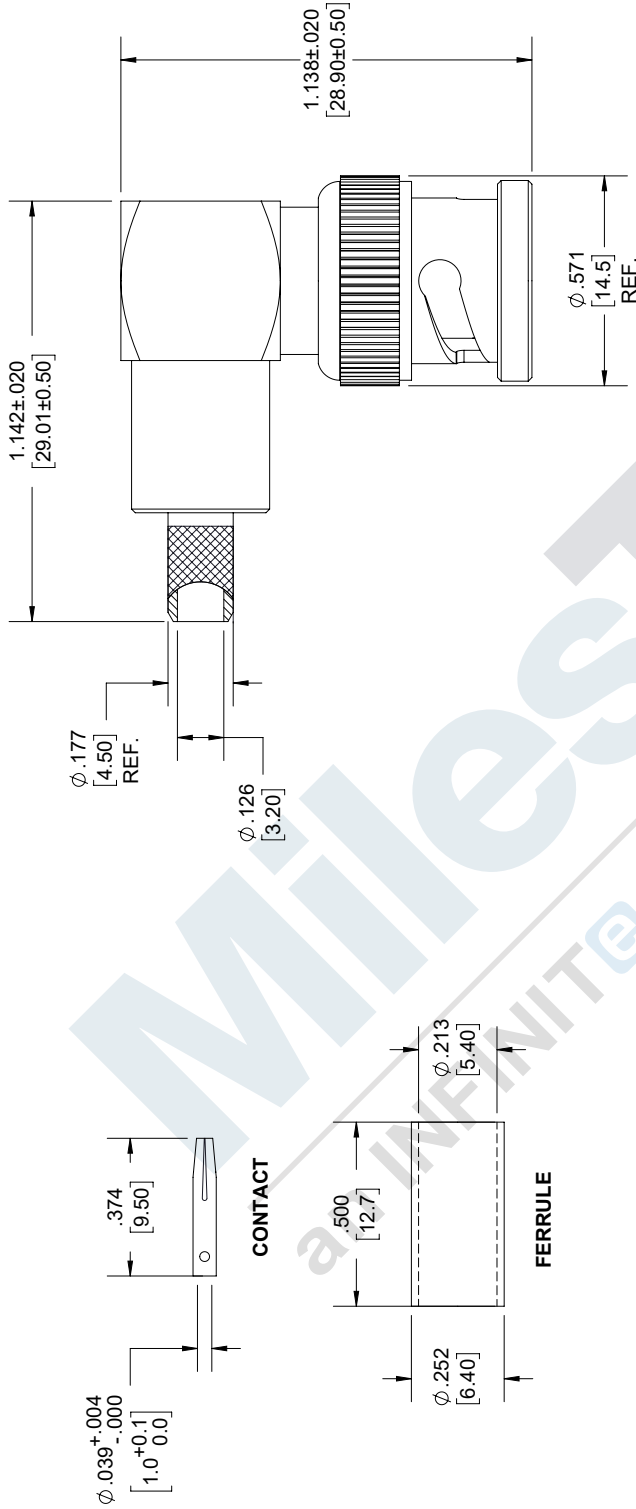
URL:

The information contained in this document is accurate to the best of our knowledge and representative of the part described herein. It may be necessary to make modifications to the part and/or the documentation of the part, in order to implement improvements. MilesTek reserves the right to make such changes as required. Unless otherwise stated, all specifications are nominal. MilesTek does not make any representation or warranty regarding the suitability of the part described herein for any particular purpose, and MilesTek does not assume any liability arising out of the use of any part or documentation.

MTCN0002 CAD Drawing

BNC Plug Right Angle 50 Ohm Coax Connector Crimp
Attachment for RG58, RG303, RG141, LMR-195

REVISIONS			
REV.	DESCRIPTION	DATE	APPROVED
A	INITIAL RELEASE	11/30/18	JGARCIA



STRIPPING DIMENSIONS

NOTES:

- CABLE ATTACHMENT:
 - OUTER: CRIMP.
 - INNER: SOLDER/CRIMP.
- CRIMP SIZE REQUIRED:
 - FERRULE: .216 [5.50] HEX. CRIMP TOOL.
 - CONTACT: .071 [1.80] HEX. CRIMP TOOL.

UNLESS OTHERWISE SPECIFIED LEADING DIMENSIONS ARE IN INCHES DIMENSIONS IN [] ARE IN MILLIMETERS	
TOLERANCES:	FRACTIONS
.X±.2 [5.08]	± 1/32
.XX±.01 [.25]	± 1/64
XXX±.005 [.13]	ANGLES ± 1°
ALL DIMENSIONS SHOWN ARE FOR REFERENCE ONLY.	
THIRD-ANGLE PROJECTION	

MilestTek
an INFINITE brand

301 Leora Ln., Suite 100, Lewisville, TX 75056
Phone: 1.940.484.9400 | 1.866.524.1553
www.milesttek.com | e-mail: Customerfrts@milesttek.com

THE INFORMATION AND
DESIGN IN THIS DOCUMENT
IS THE PROPERTY OF
MILESTTEK CORPORATION.
ALL RIGHTS RESERVED.

SHEET 1 OF 1
SCALE N/A

SIZE	CAGE	DRAWN BY	PART NUMBER	REV
A	42977	KDANG	MTCN0002	A

THESE COMMODITIES, TECHNOLOGY OR SOFTWARE WERE EXPORTED FROM THE UNITED STATES IN ACCORDANCE WITH THE EXPORT
ADMINISTRATION REGULATIONS. DIVERSION CONTRARY TO U.S. LAW PROHIBITED.

T-RevA