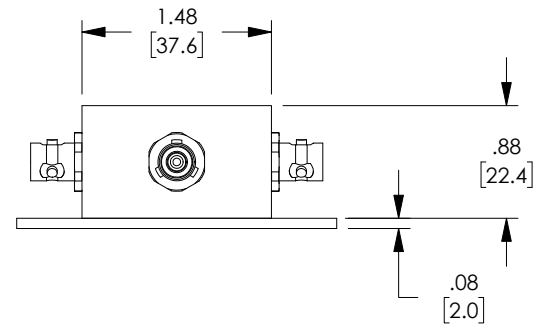
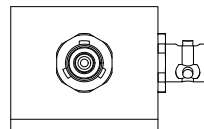
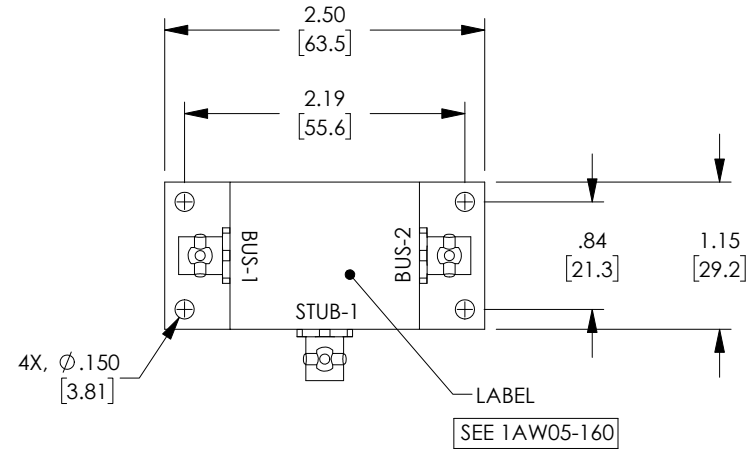
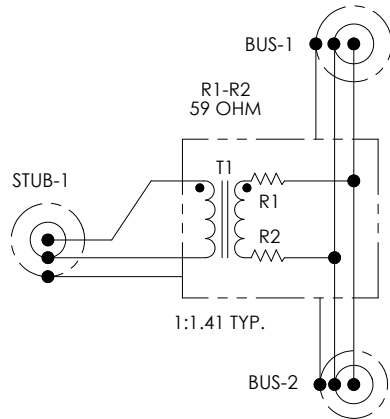


PROPRIETARY NOTICE  
 This document discloses confidential subject matter in which MilesTek Corporation and its subsidiaries have proprietary rights. Neither receipt nor possession thereof confers or transfers any right to reproduce or disclose the document, any part thereof, any information contained therein, or any physical article or device, or to practice any method or process, except by written permission from, or written agreement with MilesTek Corporation and its subsidiaries.

**LEAD FREE SOLDER**

REVISIONS			
REV	DESCRIPTION	DATE	APPROVED
A	INITIAL RELEASE	05/28/2019	DFRISIELLO

**WIRING MAP**



**1.0 ELECTRICAL SPECIFICATIONS: IAW MIL-STD-1553B**

- 1.1 DROOP 20% MAXIMUM
- 1.2 OVERSHOOT AND RINGING +/- 1.0V PK-PK
- 1.3 TRANSFORMER RATIO 1:1.41 TURNS
- 1.4 FAULT PROTECTION 59 OHM +/-1%, 2 WATT PER MIL-R-39007
- 1.5 COMMON MODE REJECTION -55dB @ 1 MHZ

**2.0 MECHANICAL SPECIFICATIONS:**

- 2.1 HOUSING: DIE CAST A360 ALUMINUM ALLOY CLEAR ANODIZED AND PAINTED WITH TEXTURE. BAKED ENAMEL, COLOR: BLUE
- 2.2 BASE PLATE: 6061-T6 ALUMINUM, SATIN FINISH.
- 2.3 CONNECTOR: TRS PLUG OR EQUIVALENT

**3.0 ENVIRONMENTAL:**

- 3.1 OPERATING TEMPERATURE: -55° C TO +125° C.

**4.0 ALL MATERIALS USED ARE CERTIFIED RoHS COMPLIANT.**

UNLESS OTHERWISE SPECIFIED ALL DIMENSIONS ARE IN INCHES  OVERALL CABLE LENGTH TOLERANCE: ≤12 [305] = +1 [25] / -0 >12 [305] ≤60 [1524] = +2 [51] / -0 >60 [1524] ≤120 [3048] = +4 [102] / -0 >120 [3048] ≤300 [7620] = +6 [152] / -0 >300 [7620] = +5% / -0%  ALL OTHER DIMENSIONAL TOLERANCES: .X = ± 2 [5.08] .XX = ± .02 [5.1] .XXX = ±.005 [1.3]	<b>SIGNATURE</b>	<b>DATE</b>	 MILESTEK CORPORATION 301 LEORA LANE, SUITE 100 LEWISVILLE, TX 75056 PHONE: (940) 484-9400 FAX: (940) 566-1047	
	DRAWN BY: DFRISIELLO	05/21/2019		<b>TITLE</b> ROHS 1 STUB SUBMIN NT TRS BOX COUPLER
	CHECKED BY: MHEARN	05/28/2019		
	APPROVED BY: MHEARN	05/28/2019		
CUSTOMER REFERENCE DOCUMENT:  CAGE CODE: 4Z977	CONFIGURATION DETAILS OF UNDIMENSIONED FEATURES MAY VARY		<b>SIZE</b> A	
DRAWING NUMBER: MSX00051		REV. A	SHEET 1 OF 1	