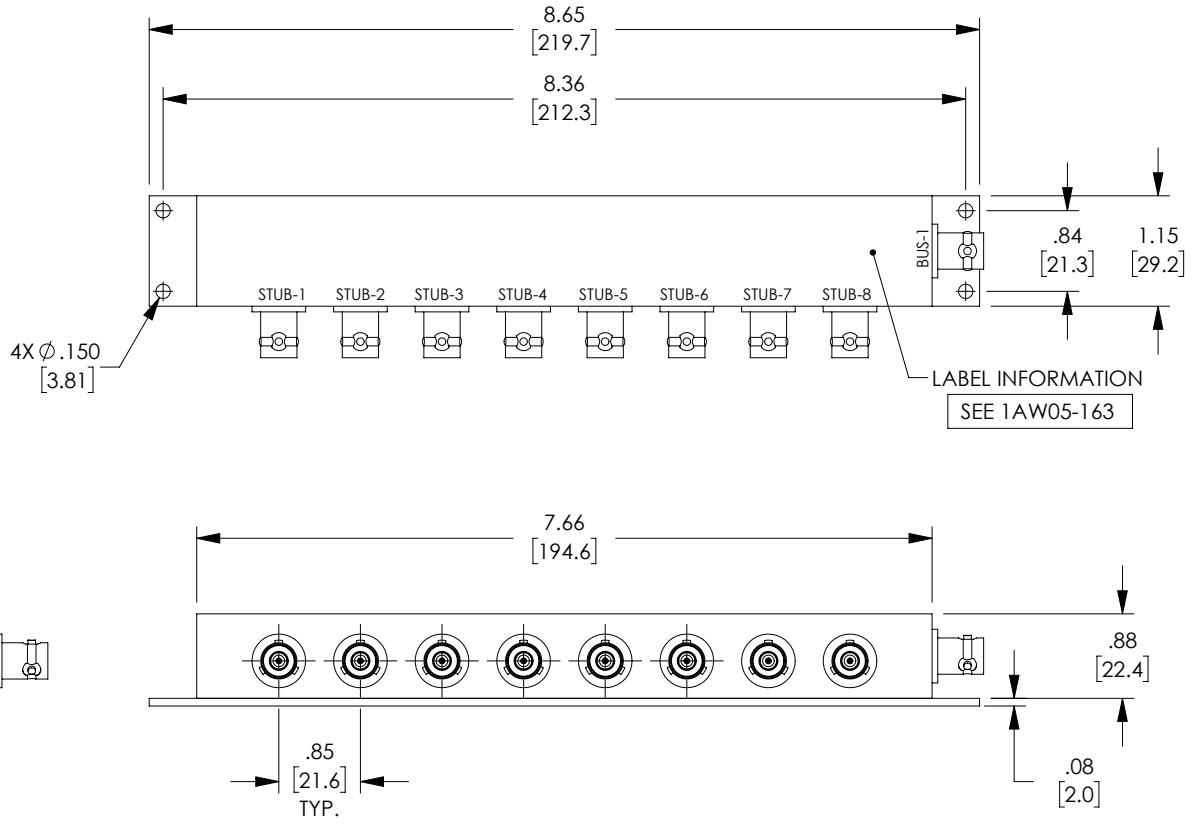
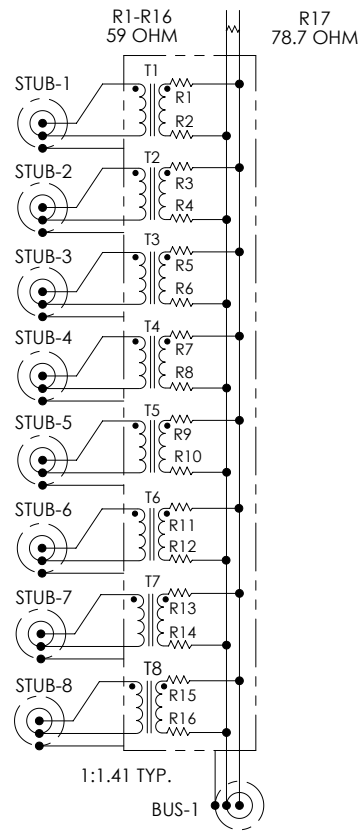


PROPRIETARY NOTICE

This document discloses confidential subject matter in which MilesTek Corporation and its subsidiaries have proprietary rights. Neither receipt nor possession thereof confers or transfers any right to reproduce or disclose the document, any part thereof, any information contained therein, or any physical article or device, or to practice any method or process, except by written permission from, or written agreement with MilesTek Corporation and its subsidiaries.

REVISIONS			
REV	DESCRIPTION	DATE	APPROVED
A	REV A DRAWING RELEASED	10/31/2018	DFRISIELLO

WIRING MAP



1.0 ELECTRICAL SPECIFICATIONS: IAW MIL-STD-1553B

- 1.1 DROOP 20% MAXIMUM
- 1.2 OVERSHOOT AND RINGING +/- 1.0V PK-PK
- 1.3 TRANSFORMER RATIO 1:1.41 TURNS
- 1.4 FAULT PROTECTION 59 OHM +/-1%, 2 WATT PER MIL-R-39007
- 1.5 TERMINATING RESISTOR 78.7 OHM +/-1%, 2 WATT PER MIL-R-39007
- 1.6 COMMON MODE REJECTION -55dB @ 1 MHz

2.0 MECHANICAL SPECIFICATIONS:

- 2.1 HOUSING: DIE CAST A360 ALUMINUM ALLOY CLEAR ANODIZED AND PAINTED WITH TEXTURE. BAKED ENAMEL, COLOR: BLUE
- 2.2 BASE PLATE: 6061-T6 ALUMINUM, SATIN FINISH.
- 2.3 CONNECTOR 10-06569 OR EQUIVALENT

3.0 ENVIRONMENTAL:

- 3.1 OPERATING TEMPERATURE: -55°C TO +125°C.

REGULATORY COMPLIANCE:
CE2011/65/EU (RoHS DIRECTIVE)

UNLESS OTHERWISE SPECIFIED ALL DIMENSIONS ARE IN INCHES

OVERALL CABLE LENGTH TOLERANCE:
 ≤12 [305] = +1 [25] / -0
 >12 [305] ≤60 [1524] = +2 [51] / -0
 >60 [1524] ≤100 [2540] = +4 [102] / -0
 >100 [2540] ≤300 [7620] = +6 [152] / -0
 >300 [7620] = +5% / -0%

ALL OTHER DIMENSIONAL TOLERANCES:
 X = ± 2 [5.08]
 .XX = ± .02 [5.1]
 .XXX = ± .005 [1.3]

CUSTOMER REFERENCE DOCUMENT:

SIGNATURE	DATE
DRAWN BY: DFRISIELLO	10/25/2018
CHECKED BY: MHEARN	10/25/2018
APPROVED BY: MHEARN	10/25/2018
CONFIGURATION DETAILS OF UNDIMENSIONED FEATURES MAY VARY	
CAGE CODE: 4Z977	

MilesTek
Military | Aerospace | Communications | Industrial

MILESTEK CORPORATION
301 LEORA LANE, SUITE 100
LEWISVILLE, TX 75056
PHONE: (940) 484-9400
FAX: (940) 566-1047

TITLE: **ROHS 8 STUB RGT BUS COUPLER**

SIZE: **A** DRAWING NUMBER: **MSX000039** REV: **A**

SCALE: NTS SHEET 1 OF 1