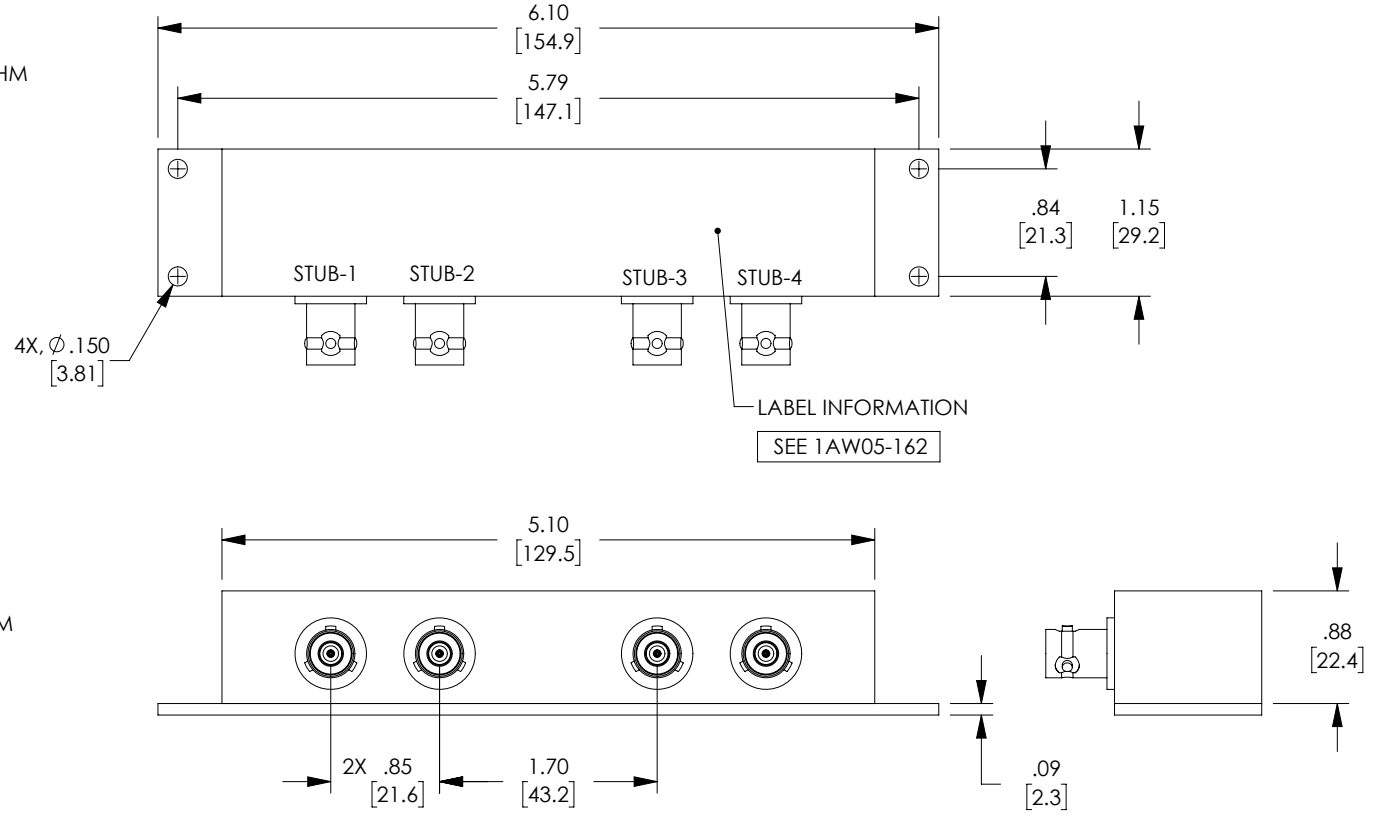
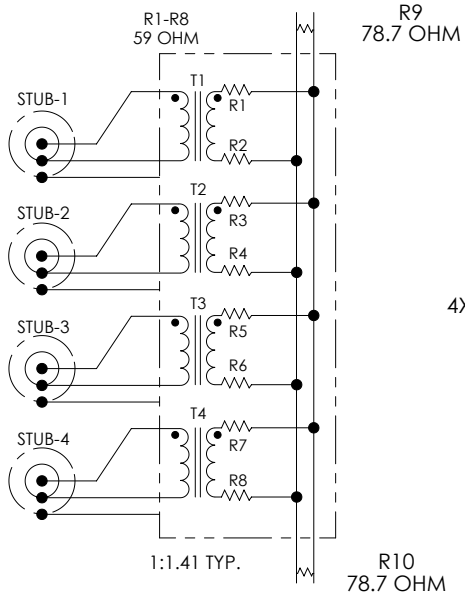


PROPRIETARY NOTICE

This document discloses confidential subject matter in which MilesTek Corporation and its subsidiaries have proprietary rights. Neither receipt nor possession thereof confers or transfers any right to reproduce or disclose the document, any part thereof, any information contained therein, or any physical article or device, or to practice any method or process, except by written permission from, or written agreement with MilesTek Corporation and its subsidiaries.

REVISIONS			
REV	DESCRIPTION	DATE	APPROVED
A	REV A DRAWING RELEASED	11/01/2018	DFRISIELLO

**WIRING MAP**



**1.0 ELECTRICAL SPECIFICATIONS: IAW MIL-STD-1553B**

- 1.1 DROOP 20% MAXIMUM
- 1.2 OVERSHOOT AND RINGING +/- 1.0V PK-PK
- 1.3 TRANSFORMER RATIO 1:1.41 TURNS
- 1.4 FAULT PROTECTION 59 OHM +/-1%, 2 WATT PER MIL-R-39007
- 1.5 TERMINATING RESISTOR 78.7 OHM +/-1%, 2 WATT PER MIL-R-39007
- 1.6 COMMON MODE REJECTION -55dB @ 1 MHz

**2.0 MECHANICAL SPECIFICATIONS:**

- 2.1 HOUSING: DIE CAST A360 ALUMINUM ALLOY  
CLEAR ANODIZED AND PAINTED WITH TEXTURE.  
BAKED ENAMEL, COLOR: BLUE
- 2.2 BASE PLATE: 6061-T6 ALUMINUM, SATIN FINISH.
- 2.3 CONNECTOR 10-06569 OR EQUIVALENT

**3.0 ENVIRONMENTAL:**

- 3.1 OPERATING TEMPERATURE: -55° C TO +125° C.

**REGULATORY COMPLIANCE:**

CE2011/65/EU(RoHS DIRECTIVE)

<small>UNLESS OTHERWISE SPECIFIED ALL DIMENSIONS ARE IN INCHES</small>  <small>OVERALL CABLE LENGTH TOLERANCE:</small> ≤12 [305] = +1 [25] / -0 >12 [305] ≤60 [1524] = +2 [51] / -0 >60 [1524] ≤120 [3048] = +4 [102] / -0 >120 [3048] ≤300 [7620] = +6 [152] / -0 >300 [7620] = +5% / -0%  <small>ALL OTHER DIMENSIONAL TOLERANCES:</small> X = ± 2 [5.08] .XX = ± .02 [5.1] .XXX = ± .005 [1.3]  <small>CUSTOMER REFERENCE DOCUMENT:</small>	<b>SIGNATURE</b>	<b>DATE</b>	 <small>Military   Aerospace   Communications   Industrial</small>  <b>MILESTEK CORPORATION</b> 301 LEORA LANE, SUITE 100 LEWISVILLE, TX 75056 PHONE: (940) 484-9400 FAX: (940) 566-1047	
	DRAWN BY: DFRISIELLO	10/18/2018		<b>TITLE</b>
	CHECKED BY: MHEARN	10/18/2018		ROHS 4 STUB NO BUS J COUPLER
	APPROVED BY: MHEARN	10/18/2018		<b>SIZE</b>
	<small>CONFIGURATION DETAILS OF UNDIMENSIONED FEATURES MAY VARY</small>		<b>DRAWING NUMBER:</b>	
	CAGE CODE: 4Z977		MSX000020	
			<b>REV.</b>	
			A	
			<b>SCALE:</b> NTS	
			SHEET 1 OF 1	