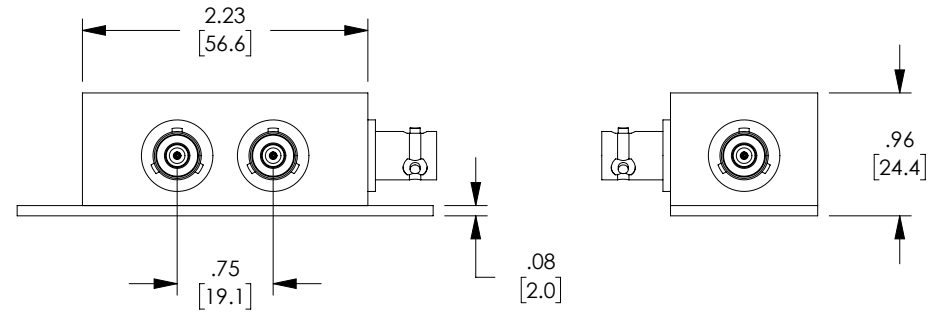
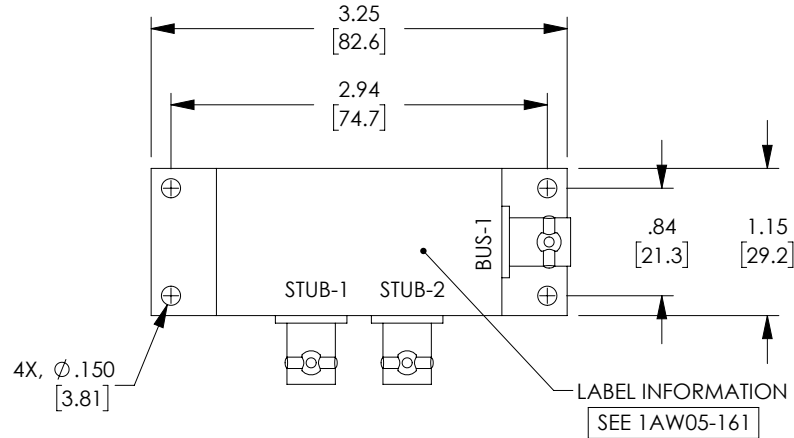
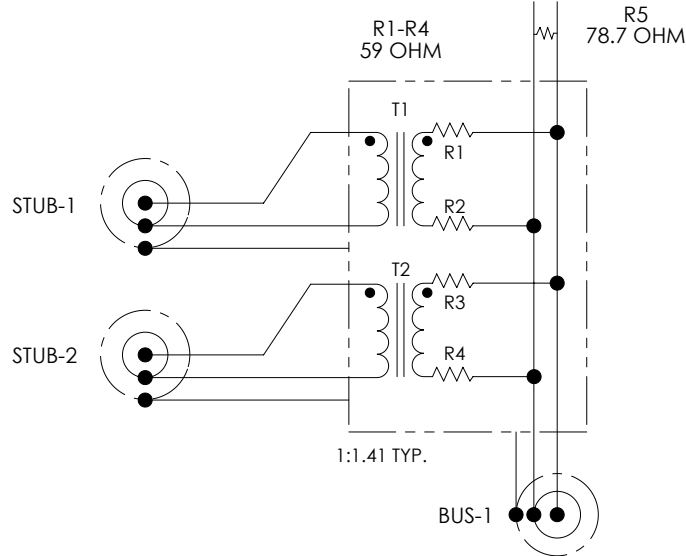


PROPRIETARY NOTICE

This document discloses confidential subject matter in which MilesTek Corporation and its subsidiaries have proprietary rights. Neither receipt nor possession thereof confers or transfers any right to reproduce or disclose the document, or any part thereof, any information contained therein, or any physical article or device, or to practice any method or process, except by written permission from, or written agreement with MilesTek Corporation and its subsidiaries.

REVISIONS			
REV	DESCRIPTION	DATE	APPROVED
A	REV A DRAWING RELEASED	10/31/2018	DFRISIELLO

WIRING MAP



1.0 ELECTRICAL SPECIFICATIONS: IAW MIL-STD-1553B

- | | |
|---------------------------|--|
| 1.1 DROOP | 20% MAXIMUM |
| 1.2 OVERSHOOT AND RINGING | +/- 1.0V PK-PK |
| 1.3 TRANSFORMER RATIO | 1:1.41 TURNS |
| 1.4 FAULT PROTECTION | 59 OHM +/-1%, 2 WATT PER MIL-R-39007 |
| 1.5 TERMINATING RESISTOR | 78.7 OHM +/-1%, 2 WATT PER MIL-R-39007 |
| 1.6 COMMON MODE REJECTION | -55dB @ 1 MHz |

2.0 MECHANICAL SPECIFICATIONS:

- 2.1 HOUSING: DIE CAST A360 ALUMINUM ALLOY
CLEAR ANODIZED AND PAINTED WITH TEXTURE.
BAKED ENAMEL, COLOR: BLUE
- 2.2 BASE PLATE: 6061-T6 ALUMINUM, SATIN FINISH.
- 2.3 CONNECTOR 10-06569 OR EQUIVALENT

3.0 ENVIRONMENTAL:

- 3.1 OPERATING TEMPERATURE: -55° C TO +125° C.

REGULATORY COMPLIANCE:

CE2011/65/EU(RoHS DIRECTIVE)

<small>UNLESS OTHERWISE SPECIFIED ALL DIMENSIONS ARE IN INCHES</small> <small>OVERALL CABLE LENGTH TOLERANCE:</small> <small><12 [305] = +1 [25] / -0</small> <small>>12 [305] <60 [1524] = +2 [51] / -0</small> <small>>60 [1524] <120 [3048] = +4 [102] / -0</small> <small>>120 [3048] <300 [7620] = +6 [152] / -0</small> <small>>300 [7620] = +5% / -0%</small> <small>ALL OTHER DIMENSIONAL TOLERANCES:</small> <small>X = ± 2 [5.08]</small> <small>.XX = ± .02 [51]</small> <small>.XXX = ± .005 [1.3]</small> <small>CUSTOMER REFERENCE DOCUMENT:</small>	SIGNATURE	DATE	<p>MILESTEK CORPORATION 301 LEORA LANE, SUITE 100 LEWISVILLE, TX 75056 PHONE: (940) 484-9400 FAX: (940) 566-1047</p>		
	<small>DRAWN BY:</small> DFRISIELLO	10/17/2018		TITLE ROHS 2 STUB RGT T BUS COUPLER	
	<small>CHECKED BY:</small> MHEARN	10/17/2018			
	<small>APPROVED BY:</small> MHEARN	10/17/2018			
<small>CONFIGURATION DETAILS OF UNDIMENSIONED FEATURES MAY VARY</small>	CAGE CODE: 4Z977	<small>SCALE: NTS</small>	SIZE A	<small>DRAWING NUMBER:</small> MSX000009	<small>REV.</small> A
		SHEET 1 OF 1			