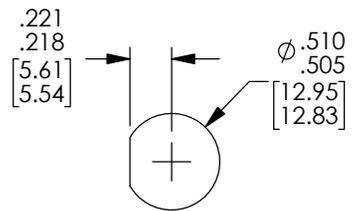
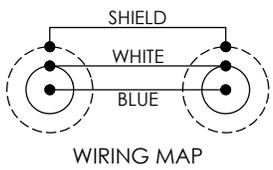
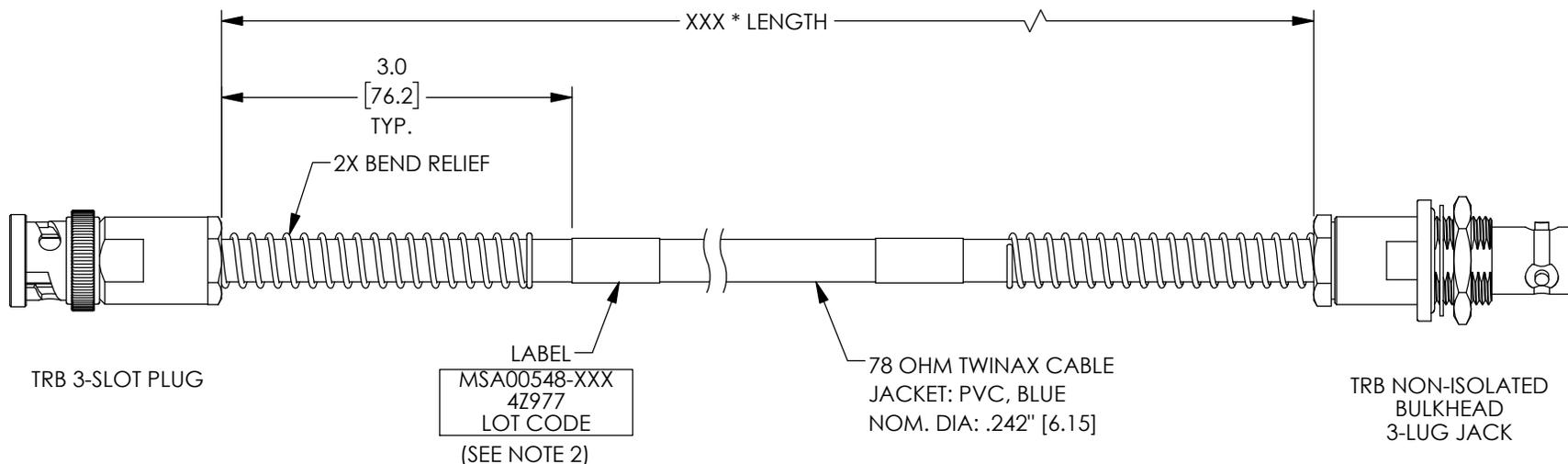


THE INFORMATION CONTAINED IN THIS DRAWING IS THE SOLE PROPERTY OF MILESTEK, INC.. ANY REPRODUCTION IN PART OR WHOLE WITHOUT THE WRITTEN PERMISSION OF MILESTEK, INC. IS PROHIBITED.

# LEAD FREE SOLDER

| REVISIONS |                 |            |            |
|-----------|-----------------|------------|------------|
| REV       | DESCRIPTION     | DATE       | APPROVED   |
| A         | INITIAL RELEASE | 11/25/2019 | MBLACKWOOD |
|           |                 |            |            |
|           |                 |            |            |



**NOTES:**

- \*XXX = LENGTH IN INCHES  
\*XXXM = LENGTH IN METERS
- CABLES 48" AND UNDER HAVE 1 LABEL CENTERED. CABLES OVER 48" HAVE 2 LABELS, ONE AT EACH END 3.0" FROM THE BACK OF THE CONNECTOR.
- CABLE ASSEMBLY SHALL BE TESTED FOR CONTINUITY.

|   |                        |  |                            |  |                          |                           |                             |
|---|------------------------|--|----------------------------|--|--------------------------|---------------------------|-----------------------------|
| UNLESS OTHERWISE SPECIFIED, DIMENSIONS ARE IN INCHES [mm]<br>OVERALL CABLE LENGTH TOLERANCE:<br>≤12 [305] = +1 [25] / -0<br>>12 [305] ≤60 [1524] = +2 [51] / -0<br>>60 [1524] ≤120 [3048] = +4 [102] / -0<br>>120 [3048] ≤300 [7620] = +6 [152] / -0<br>>300 [7620] = +5% / -0<br>ALL OTHER DIMENSIONAL TOLERANCES:<br>.X = ± .2 [5]   FRACTIONS ± 1/32<br>.XX = ± .02 [5]   ANGLES ± 1°<br>.XXX = ± .005 [1.3] | APPROVALS              | DATE   | <br>an INFINIT® brand      | 301 Leora Ln., Suite 100,<br>Lewisville, TX 75056<br>Phone: 1.940.484.9400<br>1.866.524.1553 |                          |                           |                             |
|   | DRAWN BY<br>DFRISIELLO | 11/25/2019   |                            |  | CHECKED BY<br>MGREENHILL | 11/25/2019                |                             |
| APPROVED BY<br>MBLACKWOOD   | 11/25/2019             | CATEGORY<br>MIL-STD-1553B                                |                            | PRODUCT DESCRIPTION<br>LF LR 0.242" O.D. 1553 TWNX PBR-NI BHJBR                              |                          |                           |                             |
| THIRD-ANGLE PROJECTION<br>  |                        | CONFIGURATION DETAILS OF UNDIMENSIONED FEATURES MAY VARY | COLOR VARIATIONS MAY OCCUR |  | SIZE<br><b>A</b>         | CAGE CODE<br><b>4Z977</b> | DWG. NO.<br><b>MSA00548</b> |
| SCALE: NONE   |                        | SCALE: MSA00548.SLDDRW                                   |                            | SHEET 1 OF 1   |                          |                           |                             |