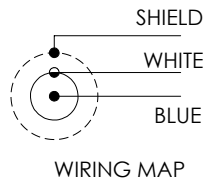
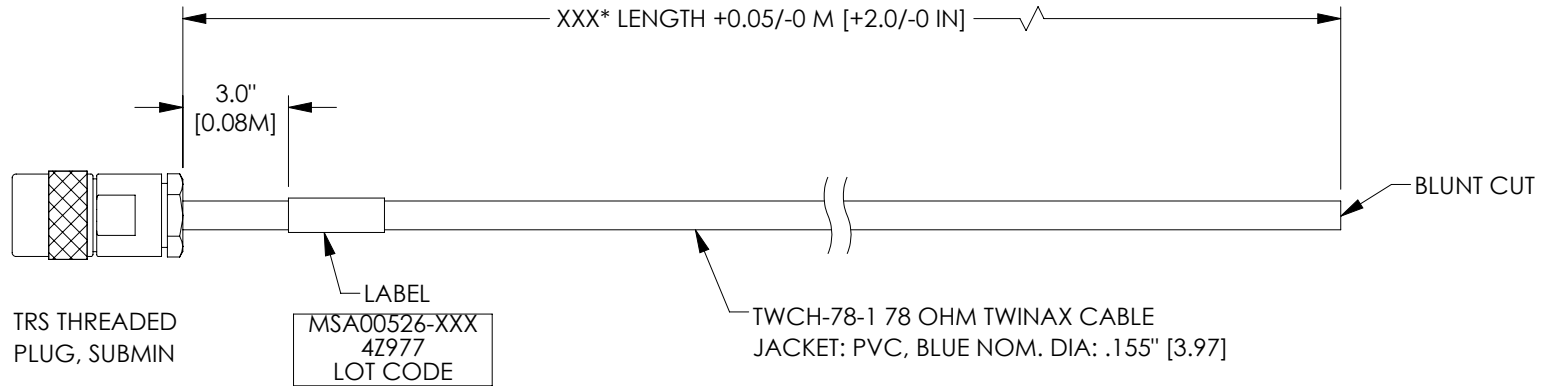


PROPRIETARY NOTICE  
 This document discloses confidential subject matter in which MilesTek Corporation and its subsidiaries have proprietary rights. Neither receipt nor possession thereof confers or transfers any right to reproduce or disclose the document, any part thereof, any information contained therein, or any physical article or device, or to practice any method or process, except by written permission from, or written agreement with MilesTek Corporation and its subsidiaries.

# LEAD FREE SOLDER

REVISIONS			
REV	DESCRIPTION	DATE	APPROVED
A	INITIAL RELEASE	06/19/2019	MHEARN



MODEL NUMBER	LENGTH METERS [FEET]
MSA00526-03M	0.3 [1.0]
MSA00526-05M	0.5 [1.64]
MSA00526-075M	0.75 [2.46]
MSA00526-1M	1.0 [3.28]
MSA00526-2M	2.0 [6.56]
MSA00526-3M	3.0 [9.84]
MSA00526-4M	4.0 [13.12]
MSA00526-6M	6.0 [19.69]

**NOTES:**

- \*XXX = LENGTH IN INCHES  
\*XXXM = LENGTH IN METERS
- CABLE ASSEMBLY SHALL BE TESTED FOR CONTINUITY.
- ALL MATERIALS USED ARE CERTIFIED RoHS COMPLIANT.

UNLESS OTHERWISE SPECIFIED ALL DIMENSIONS ARE IN INCHES  OVERALL CABLE LENGTH TOLERANCE: ≤12 [305] = +1 [25] / -0 >12 [305] ≤60 [1524] = +2 [51] / -0 >60 [1524] ≤120 [3048] = +4 [102] / -0 >120 [3048] ≤300 [7620] = +6 [152] / -0 >300 [7620] = +5% / -0%  ALL OTHER DIMENSIONAL TOLERANCES: X = ± 2 [5.08] .XX = ± .02 [51] .XXX = ± .005 [1.3]  CUSTOMER REFERENCE DOCUMENT:	SIGNATURE DRAWN BY: DZINN CHECKED BY: DFRISIELLO APPROVED BY: MHEARN	DATE 06/19/2019 06/19/2019 10/05/2018	<p>MILESTEK CORPORATION          301 LEORA LANE, SUITE 100          LEWISVILLE, TX 75056          PHONE: (940) 484-9400          FAX: (940) 566-1047</p>	
	CONFIGURATION DETAILS OF UNDIMENSIONED FEATURES MAY VARY			TITLE <b>LF LSZH 0.155" O.D. 1553 TWNX SUBM THRD P-BLNT</b>
	CAGE CODE: 4Z977			SIZE <b>A</b> DRAWING NUMBER: <b>MSA00526</b> REV. <b>A</b>
	SCALE: NTS			SHEET 1 OF 1