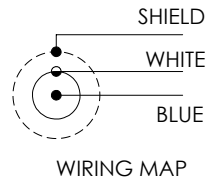
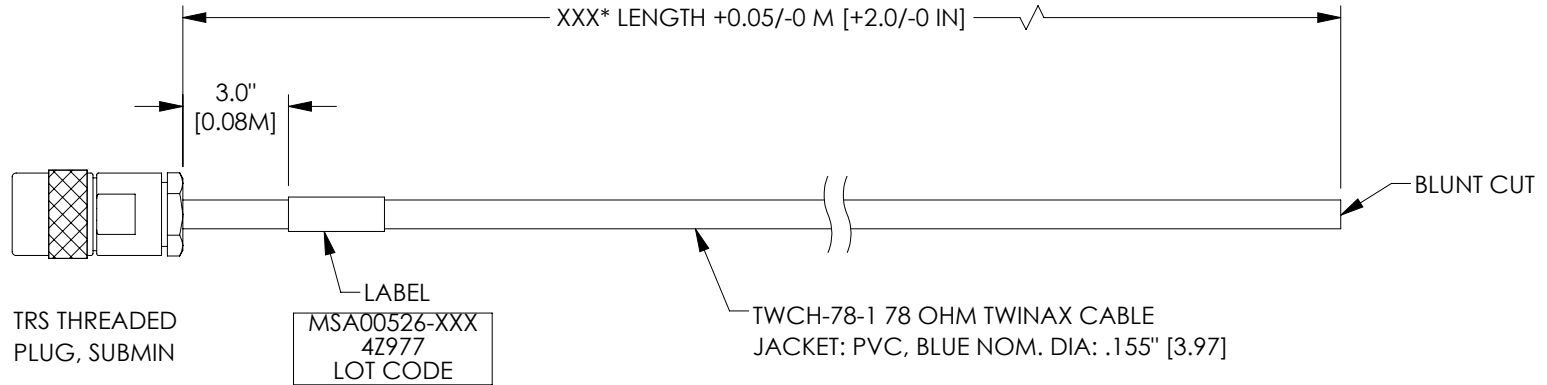


PROPRIETARY NOTICE

This document discloses confidential subject matter in which MilesTek Corporation and its subsidiaries have proprietary rights. Neither receipt nor possession thereof confers or transfers any right to reproduce or disclose the document, any part thereof, any information contained therein, or any physical article or device, or to practice any method or process, except by written permission from, or written agreement with MilesTek Corporation and its subsidiaries.

LEAD FREE SOLDER

REVISIONS			
REV	DESCRIPTION	DATE	APPROVED
A	INITIAL RELEASE	06/19/2019	MHEARN



MODEL NUMBER	LENGTH METERS [FEET]
MSA00526-03M	0.3 [1.0]
MSA00526-05M	0.5 [1.64]
MSA00526-075M	0.75 [2.46]
MSA00526-1M	1.0 [3.28]
MSA00526-2M	2.0 [6.56]
MSA00526-3M	3.0 [9.84]
MSA00526-4M	4.0 [13.12]
MSA00526-6M	6.0 [19.69]

- NOTES:**
- *XXX = LENGTH IN INCHES
*XXXM = LENGTH IN METERS
 - CABLE ASSEMBLY SHALL BE TESTED FOR CONTINUITY.
 - ALL MATERIALS USED ARE CERTIFIED RoHS COMPLIANT.

UNLESS OTHERWISE SPECIFIED ALL DIMENSIONS ARE IN INCHES

OVERALL CABLE LENGTH TOLERANCE:
 ≤12 [305] = +1 [25] / -0
 >12 [305] ≤60 [1524] = +2 [51] / -0
 >60 [1524] ≤120 [3048] = +4 [102] / -0
 >120 [3048] ≤300 [7620] = +6 [152] / -0
 >300 [7620] = +5% / -0%

ALL OTHER DIMENSIONAL TOLERANCES:
 X = ± 2 [5.08]
 .XX = ± .02 [51]
 .XXX = ± .005 [1.3]

CUSTOMER REFERENCE DOCUMENT:

SIGNATURE	DATE
DZINN	06/19/2019
DFRISIELLO	06/19/2019
MHEARN	10/05/2018

CONFIGURATION DETAILS OF UNDIMENSIONED FEATURES MAY VARY

CAGE CODE: 4Z977

MilesTek
 Military | Aerospace | Communications | Industrial

MILESTEK CORPORATION
 301 LEORA LANE, SUITE 100
 LEWISVILLE, TX 75056
 PHONE: (940) 484-9400
 FAX: (940) 566-1047

TITLE
LF LSZH 0.155" O.D. 1553 TWNX SUBM THRD P-BLNT

SCALE: NTS

DRAWING NUMBER:
MSA00526

REV. **A**

SHEET 1 OF 1