

8

7

6

5

4

3

2

1

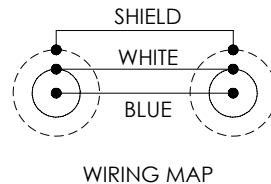
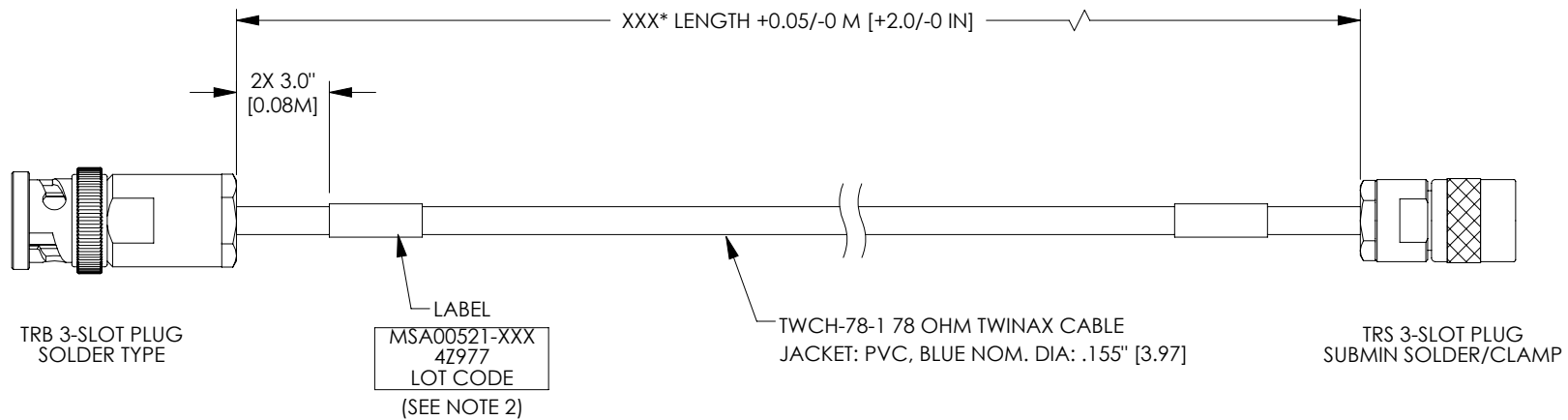
PROPRIETARY NOTICE

This document discloses confidential subject matter in which MilesTek Corporation and its subsidiaries have proprietary rights. Neither receipt nor possession thereof confers or transfers any right to reproduce or disclose the document, any part thereof, any information contained therein, or any physical article or device, or to practice any method or process, except by written permission from, or written agreement with MilesTek Corporation and its subsidiaries.

LEAD FREE SOLDER

REVISIONS

REV	DESCRIPTION	DATE	APPROVED
A	INITIAL RELEASE	06/19/2019	MHEARN



WIRING MAP

MODEL NUMBER	LENGTH METERS [FEET]
MSA00521-03M	0.3 [1.0]
MSA00521-05M	0.5 [1.64]
MSA00521-075M	0.75 [2.46]
MSA00521-1M	1.0 [3.28]
MSA00521-2M	2.0 [6.56]
MSA00521-3M	3.0 [9.84]
MSA00521-4M	4.0 [13.12]
MSA00521-6M	6.0 [19.69]

NOTES:

- *XXX = LENGTH IN INCHES
*XXXM = LENGTH IN METERS
- CABLES 48" [1.22M] AND UNDER HAVE 1 LABEL CENTERED. CABLES OVER 48" [1.22M] HAVE 2 LABELS, ONE AT EACH END. 3.0" FROM BACK OF EACH CONNECTOR.
- CABLE ASSEMBLY SHALL BE TESTED FOR CONTINUITY.
- ALL MATERIALS USED ARE CERTIFIED RoHS COMPLIANT.

UNLESS OTHERWISE SPECIFIED ALL DIMENSIONS ARE IN INCHES OVERALL CABLE LENGTH TOLERANCE: ≤12 [305] = +1 [25] / -0 >12 [305] ≤60 [1524] = +2 [51] / -0 >60 [1524] ≤120 [3048] = +4 [102] / -0 >120 [3048] ≤300 [7620] = +6 [152] / -0 >300 [7620] = +5% / -0% ALL OTHER DIMENSIONAL TOLERANCES: X = ± 2 [5.08] XX = ± .02 [51] XXX = ± .005 [1.3] CUSTOMER REFERENCE DOCUMENT:	DRAWN BY: DZINN	DATE 06/19/2019	 MilesTek Corporation 301 LEORA LANE, SUITE 100 LEWISVILLE, TX 75056 PHONE: (940) 484-9400 FAX: (940) 566-1047	
	CHECKED BY: DFRISIELLO	DATE 06/19/2019		TITLE LF LSZH 0.155" O.D. 1553 TWNX SUBM P-TRB P
	APPROVED BY: MHEARN	DATE 06/19/2019		SCALE: NTS
	CONFIGURATION DETAILS OF UNDIMENSIONED FEATURES MAY VARY			DRAWING NUMBER: MSA00521
CAGE CODE: 4Z977		REV. A	SHEET 1 OF 1	

8

7

6

5

4

3

2

1