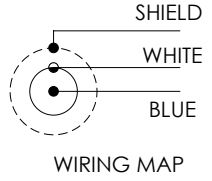
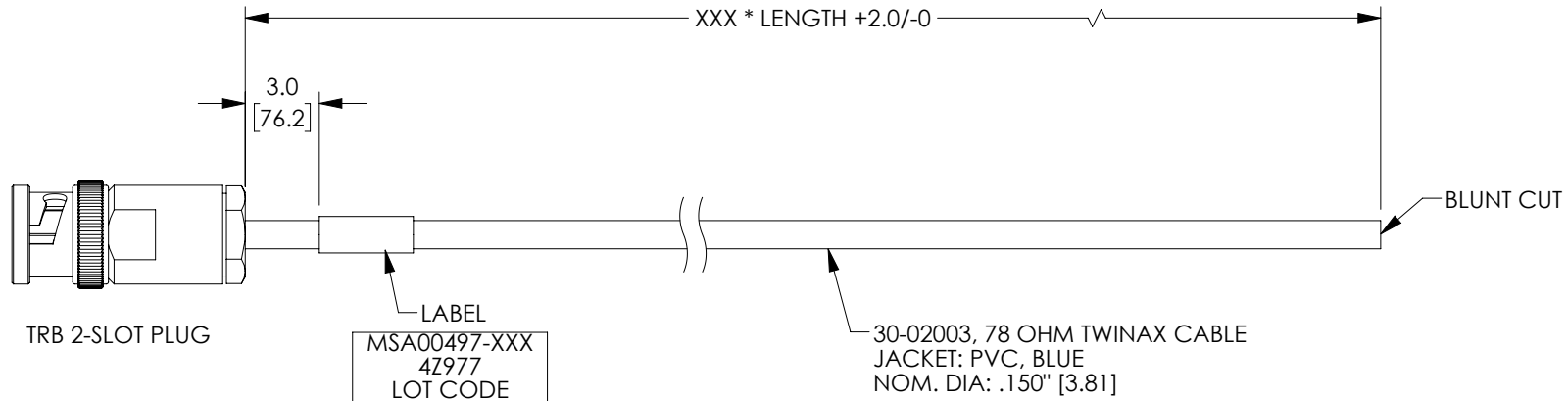


PROPRIETARY NOTICE

This document discloses confidential subject matter in which MilesTek Corporation and its subsidiaries have proprietary rights. Neither receipt nor possession thereof confers or transfers any right to reproduce or disclose the document, any part thereof, any information contained therein, or any physical article or device, or to practice any method or process, except by written permission from, or written agreement with MilesTek Corporation and its subsidiaries.

# LEAD FREE SOLDER

REVISIONS			
REV	DESCRIPTION	DATE	APPROVED
A	REV A DRAWING RELEASED	04/09/2019	MHEARN



MODEL NUMBER	LENGTH METERS [FEET]
MSA00497-03M	0.3 [1.0]
MSA00497-05M	0.5 [1.64]
MSA00497-075M	0.75 [2.46]
MSA00497-1M	1.0 [3.28]
MSA00497-2M	2.0 [6.56]
MSA00497-3M	3.0 [9.84]
MSA00497-4M	4.0 [13.12]
MSA00497-6M	6.0 [19.69]

- NOTES:**
- \*XXX = LENGTH IN INCHES  
\*XXXM = LENGTH IN METERS
  - CABLE ASSEMBLY SHALL BE TESTED FOR CONTINUITY.
  - ALL MATERIALS USED ARE CERTIFIED RoHS COMPLIANT.

<small>UNLESS OTHERWISE SPECIFIED ALL DIMENSIONS ARE IN INCHES</small> <small>OVERALL CABLE LENGTH TOLERANCE:</small> <small>&lt;12 [305] = +1 [25] / -0</small> <small>&gt;12 [305] &lt;60 [1524] = +2 [51] / -0</small> <small>&gt;60 [1524] &lt;120 [3048] = +4 [102] / -0</small> <small>&gt;120 [3048] &lt;300 [7620] = +6 [152] / -0</small> <small>&gt;300 [7620] = +5% / -0%</small> <small>ALL OTHER DIMENSIONAL TOLERANCES:</small> <small>X = ± .2 [5.08]</small> <small>XXX = ± .02 [51]</small> <small>.XXX = ± .005 [1.3]</small>	<b>SIGNATURE</b>	<b>DATE</b>	 <small>Military   Aerospace   Communications   Industrial</small> <b>MilesTek</b> <small>MILESTEK CORPORATION                      301 LEORA LANE, SUITE 100                      LEWISVILLE, TX 75056                      PHONE: (940) 484-9400                      FAX: (940) 566-1047</small>		
	<small>DRAWN BY:</small> DFRISIELLO	03/29/2019		<b>TITLE</b> LEAD FREE LAB 0.150" O.D. 1553 TWNX 2-SLOT P-BLNT	
	<small>CHECKED BY:</small> MHEARN	03/29/2019		<b>SIZE</b> A	<b>DRAWING NUMBER:</b> MSA00497
	<small>APPROVED BY:</small> MHEARN	03/29/2019		<b>SCALE:</b> NTS	<b>REV.</b> A
<small>CUSTOMER REFERENCE DOCUMENT:</small>	<b>CAGE CODE:</b> 4Z977		<b>SHEET 1 OF 1</b>		