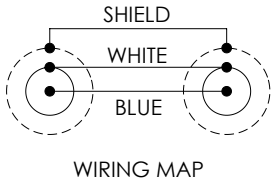
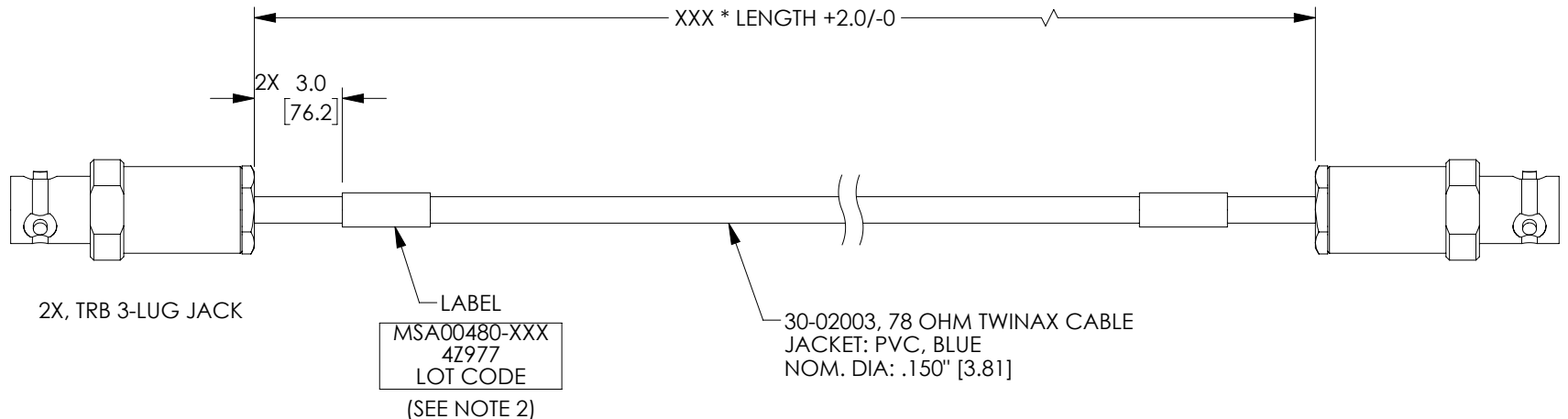


PROPRIETARY NOTICE

This document discloses confidential subject matter in which MilesTek Corporation and its subsidiaries have proprietary rights. Neither receipt nor possession thereof confers or transfers any right to reproduce or disclose the document, any part thereof, any information contained therein, or any physical article or device, or to practice any method or process, except by written permission from, or written agreement with MilesTek Corporation and its subsidiaries.

LEAD FREE SOLDER

| REVISIONS | | | |
|-----------|------------------------|------------|----------|
| REV | DESCRIPTION | DATE | APPROVED |
| A | REV A DRAWING RELEASED | 04/09/2019 | MHEARN |
| | | | |
| | | | |



| MODEL NUMBER | LENGTH METERS [FEET] |
|---------------|----------------------|
| MSA00480-03M | 0.3 [1.0] |
| MSA00480-05M | 0.5 [1.64] |
| MSA00480-075M | 0.75 [2.46] |
| MSA00480-1M | 1.0 [3.28] |
| MSA00480-2M | 2.0 [6.56] |
| MSA00480-3M | 3.0 [9.84] |
| MSA00480-4M | 4.0 [13.12] |
| MSA00480-6M | 6.0 [19.69] |

NOTES:

*XXX = LENGTH IN INCHES
*XXXM = LENGTH IN METERS

CABLES 48" AND UNDER HAVE 1 LABEL CENTERED. CABLES OVER 48" HAVE 2 LABELS, ONE AT EACH END 3.0" FROM THE BACK OF THE CONNECTOR.

CABLE ASSEMBLY SHALL BE TESTED FOR CONTINUITY.

4. ALL MATERIALS USED ARE CERTIFIED RoHS COMPLIANT.

| | | | |
|---|--|------------|---|
| UNLESS OTHERWISE SPECIFIED ALL DIMENSIONS ARE IN INCHES OVERALL CABLE LENGTH TOLERANCES: ≤12 [305] = +1 [25] / -0 >12 [305] ≤60 [1524] = +2 [51] / -0 >60 [1524] ≤120 [3048] = +4 [102] / -0 >120 [3048] ≤300 [7620] = +6 [152] / -0 >300 [7620] = +5% / -0% ALL OTHER DIMENSIONAL TOLERANCES: .X = ± .2 [5.08] .XX = ± .02 [51] .XXX = ±.005 [1.3] | SIGNATURE | DATE | MILESTEK CORPORATION 301 LEORA LANE, SUITE 100 LEWISVILLE, TX 75056 PHONE: (940) 484-9400 FAX: (940) 566-1047 |
| | DRAWN BY: DFRISIELLO | 03/28/2019 | |
| | CHECKED BY: MHEARN | 03/28/2019 | |
| | APPROVED BY: MHEARN | 03/28/2019 | |
| CUSTOMER REFERENCE DOCUMENT: | CONFIGURATION DETAILS OF UNDIMENSIONED FEATURES MAY VARY | | TITLE LF LAB 0.150" O.D. 1553 TWNX C.J-CJ |
| | CAGE CODE: 4Z977 | | SIZE: A DRAWING NUMBER: MSA00480 SCALE: NTS SHEET 1 OF 1 |