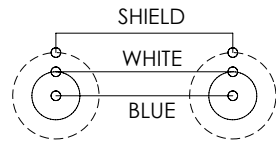
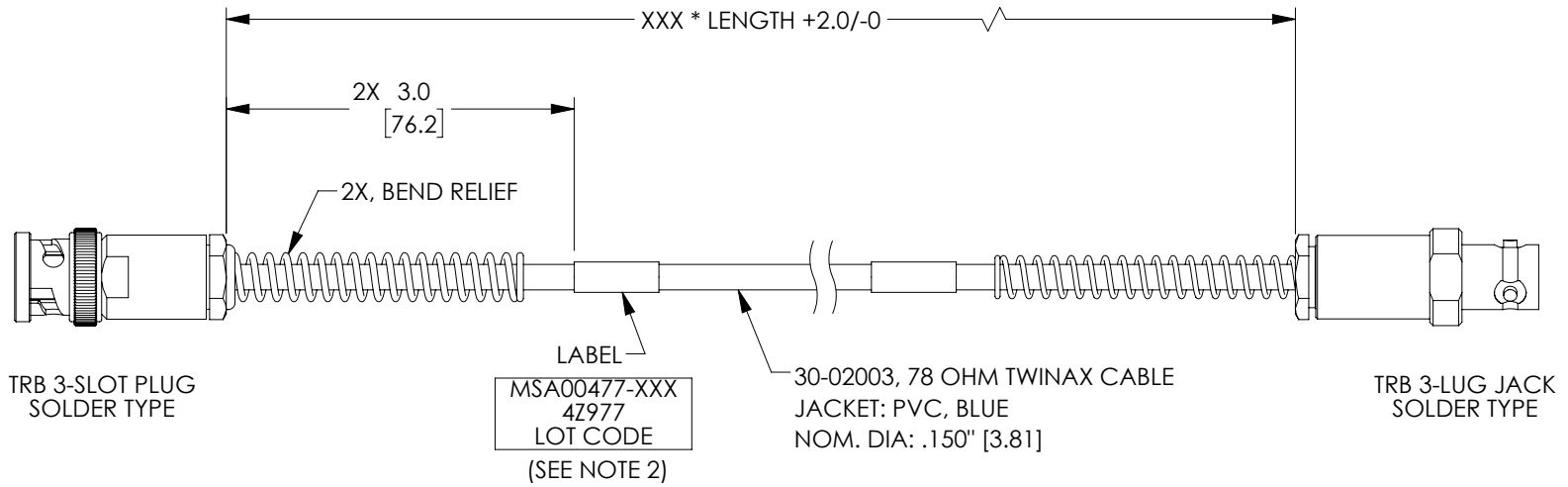


PROPRIETARY NOTICE

This document discloses confidential subject matter in which MilesTek Corporation and its subsidiaries have proprietary rights. Neither receipt nor possession thereof confers or transfers any right to reproduce or disclose the document, any part thereof, any information contained therein, or any physical article or device, or to practice any method or process, except by written permission from, or written agreement with MilesTek Corporation and its subsidiaries.

LEAD FREE SOLDER

REVISIONS			
REV	DESCRIPTION	DATE	APPROVED
A	REV A DRAWING RELEASED	04/09/2019	MHEARN



WIRING MAP

MODEL NUMBER	LENGTH METERS [FEET]
MSA00477-03M	0.3 [1.0]
MSA00477-05M	0.5 [1.64]
MSA00477-075M	0.75 [2.46]
MSA00477-1M	1.0 [3.28]
MSA00477-2M	2.0 [6.56]
MSA00477-3M	3.0 [9.84]
MSA00477-4M	4.0 [13.12]
MSA00477-6M	6.0 [19.69]

NOTES:

- *XXX = LENGTH IN INCHES
*XXXM = LENGTH IN METERS
- CABLES 48" AND UNDER HAVE 1 LABEL CENTERED. CABLES OVER 48" HAVE 2 LABELS, ONE AT EACH END 3.0" FROM THE BACK OF THE CONNECTOR.
- CABLE ASSEMBLY SHALL BE TESTED FOR CONTINUITY.
- ALL MATERIALS USED ARE CERTIFIED RoHS COMPLIANT.

UNLESS OTHERWISE SPECIFIED ALL DIMENSIONS ARE IN INCHES OVERALL CABLE LENGTH TOLERANCE: ≤12 [305] = +1 [25] / -0 >12 [305] ≤60 [1524] = +2 [51] / -0 >60 [1524] ≤120 [3048] = +4 [102] / -0 >120 [3048] ≤300 [7620] = +6 [152] / -0 >300 [7620] = +5% / -0% ALL OTHER DIMENSIONAL TOLERANCES: X = ± 2 [5.08] XX = ± .02 [51] .XXX = ±.005 [1.3] CUSTOMER REFERENCE DOCUMENT:	SIGNATURE DRAWN BY: DFRISIELLO CHECKED BY: MHEARN APPROVED BY: MHEARN	DATE 03/27/2019 03/27/2019 03/27/2019	<p>Military Aerospace Communications Industrial</p>	MILESTEK CORPORATION 301 LEORA LANE, SUITE 100 LEWISVILLE, TX 75056 PHONE: (940) 484-9400 FAX: (940) 566-1047
	CONFIGURATION DETAILS OF UNDIMENSIONED FEATURES MAY VARY			TITLE LF LAB 0.150" O.D. 1553 TWNX PBR-C-JBR
	CAGE CODE: 4Z977	SIZE A	DRAWING NUMBER: MSA00477	REV. A
	SCALE: NTS		SHEET 1 OF 1	