

8

7

6

5

4

3

2

1

PROPRIETARY NOTICE

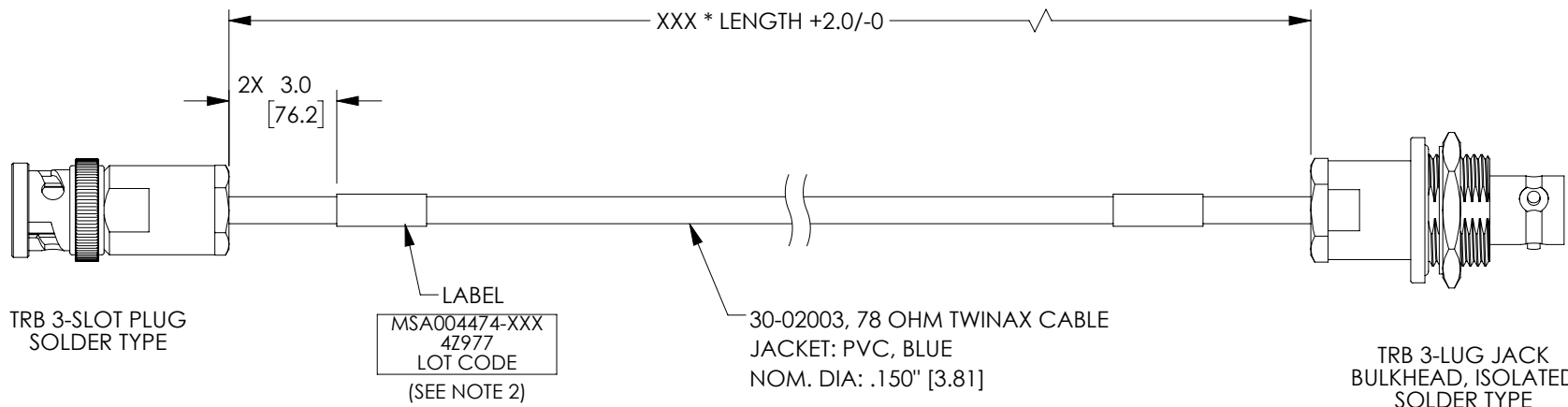
This document discloses confidential subject matter in which MilesTek Corporation and its subsidiaries have proprietary rights. Neither receipt nor possession thereof confers or transfers any right to reproduce or disclose the document, any part thereof, any information contained therein, or any physical article or device, or to practice any method or process, except by written permission from, or written agreement with MilesTek Corporation and its subsidiaries.

LEAD FREE SOLDER

REVISIONS			
REV	DESCRIPTION	DATE	APPROVED
A	REV A DRAWING RELEASED	04/09/2019	MHEARN

D

D



TRB 3-SLOT PLUG
SOLDER TYPE

LABEL
MSA004474-XXX
4Z977
LOT CODE
(SEE NOTE 2)

30-02003, 78 OHM TWINAX CABLE
JACKET: PVC, BLUE
NOM. DIA: .150" [3.81]

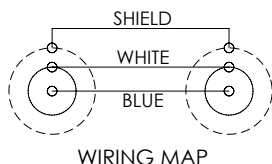
TRB 3-LUG JACK
BULKHEAD, ISOLATED
SOLDER TYPE

C

C

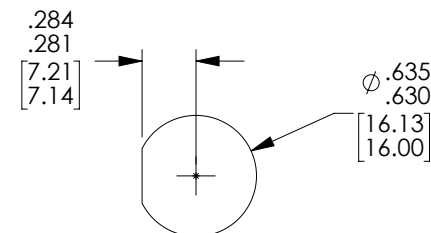
B

B



WIRING MAP

MODEL NUMBER	LENGTH METERS [FEET]
MSA00474-03M	0.3 [1.0]
MSA00474-05M	0.5 [1.64]
MSA00474-075M	0.75 [2.46]
MSA00474-1M	1.0 [3.28]
MSA00474-2M	2.0 [6.56]
MSA00474-3M	3.0 [9.84]
MSA00474-4M	4.0 [13.12]
MSA00474-6M	6.0 [19.69]

RECOMMENDED
PANEL CUTOUT

B

B

A

A

NOTES:

- *XXX = LENGTH IN INCHES
*XXXM = LENGTH IN METERS
- CABLES 48" AND UNDER HAVE 1 LABEL CENTERED. CABLES OVER 48" HAVE 2 LABELS, ONE AT EACH END 3.0" FROM THE BACK OF THE CONNECTOR.
- CABLE ASSEMBLY SHALL BE TESTED FOR CONTINUITY.
- ALL MATERIALS USED ARE CERTIFIED ROHS COMPLIANT.

UNLESS OTHERWISE SPECIFIED ALL DIMENSIONS ARE IN INCHES OVERALL CABLE LENGTH TOLERANCES: ≤12 [305] = +1 [25] / -0 >12 [305] ≤60 [1524] = +2 [51] / -0 >60 [1524] ≤120 [3048] = +4 [102] / -0 >120 [3048] ≤300 [7620] = +6 [152] / -0 >300 [7620] = +5% / -0% ALL OTHER DIMENSIONAL TOLERANCES: X = ± 2 [5.08] XX = ± .02 [5.1] .XXX = ±.005 [1.3] CUSTOMER REFERENCE DOCUMENT:	SIGNATURE DRAWN BY: DFRISIELLO	DATE 03/27/2019	 MilesTek Corporation 301 LEORA LANE, SUITE 100 LEWISVILLE, TX 75056 PHONE: (940) 484-9400 FAX: (940) 566-1047
	CHECKED BY: MHEARN	03/27/2019	
APPROVED BY: MHEARN	03/27/2019	CONFIGURATION DETAILS OF UNDIMENSIONED FEATURES MAY VARY	SIZE A
CAGE CODE: 4Z977	DRAWING NUMBER: MSA00474	REV. A	SCALE: NTS
			SHEET 1 OF 1

8

7

6

5

4

3

2

1