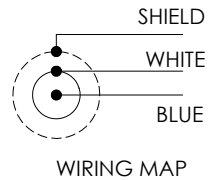
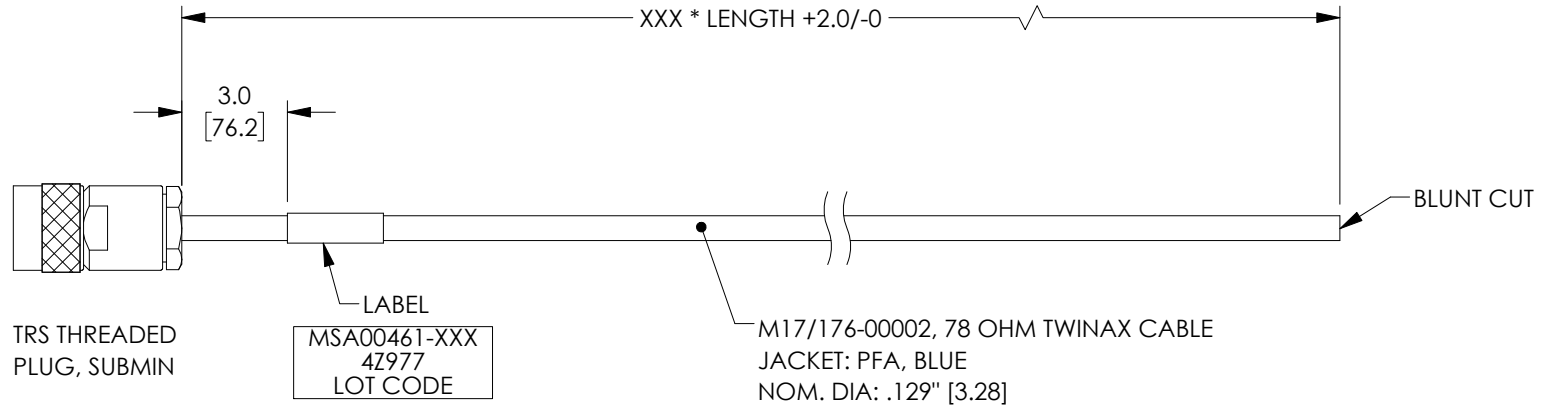


PROPRIETARY NOTICE
 This document discloses confidential subject matter in which MilesTek Corporation and its subsidiaries have proprietary rights. Neither receipt nor possession thereof confers or transfers any right to reproduce or disclose the document, any part thereof, any information contained therein, or any physical article or device, or to practice any method or process, except by written permission from, or written agreement with MilesTek Corporation and its subsidiaries.

LEAD FREE SOLDER

| REVISIONS | | | |
|-----------|-----------------|------------|------------|
| REV | DESCRIPTION | DATE | APPROVED |
| A | INITIAL RELEASE | 01/28/2019 | DFRISIELLO |
| | | | |
| | | | |



| MODEL NUMBER | LENGTH METERS [FEET] |
|---------------|----------------------|
| MSA00461-03M | 0.3 [1.0] |
| MSA00461-05M | 0.5 [1.64] |
| MSA00461-075M | 0.75 [2.46] |
| MSA00461-1M | 1.0 [3.28] |
| MSA00461-2M | 2.0 [6.56] |
| MSA00461-3M | 3.0 [9.84] |
| MSA00461-4M | 4.0 [13.12] |
| MSA00461-6M | 6.0 [19.69] |

- NOTES:**
- *XXX = LENGTH IN INCHES
 *XXXM = LENGTH IN METERS
 - CABLE ASSEMBLY SHALL BE TESTED FOR CONTINUITY.
 - ALL MATERIALS USED ARE CERTIFIED RoHS COMPLIANT.

| | | | | |
|---|-------------------------|-----------------------------|---|---|
| UNLESS OTHERWISE SPECIFIED ALL DIMENSIONS ARE IN INCHES OVERALL CABLE LENGTH TOLERANCE: ≤12 [305] = +1 [25] / -0 >12 [305] ≤60 [1524] = +2 [51] / -0 >60 [1524] ≤120 [3048] = +4 [102] / -0 >120 [3048] ≤300 [7620] = +6 [152] / -0 >300 [7620] = +5% / -0% ALL OTHER DIMENSIONAL TOLERANCES: X = ± 2 [5.08] .XX = ± .02 [5.1] .XXX = ±.005 [1.3] CUSTOMER REFERENCE DOCUMENT: | SIGNATURE DFRISIELLO | DATE 01/28/2019 | MILESTEK CORPORATION 301 LEORA LANE, SUITE 100 LEWISVILLE, TX 75056 PHONE: (940) 484-9400 FAX: (940) 566-1047 | |
| | CHECKED BY: MHEARN | DATE 01/28/2019 | | TITLE LEAD FREE HT TWNX SUBM THRD P-BLNT |
| | APPROVED BY: MHEARN | DATE 10/05/2018 | CONFIGURATION DETAILS OF UNDIMENSIONED FEATURES MAY VARY | SIZE A |
| | CAGE CODE: 4Z977 | DRAWING NUMBER: MSA00461 | REV. A | SHEET 1 OF 1 |