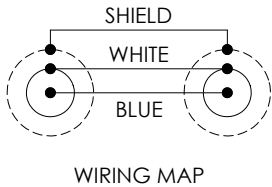
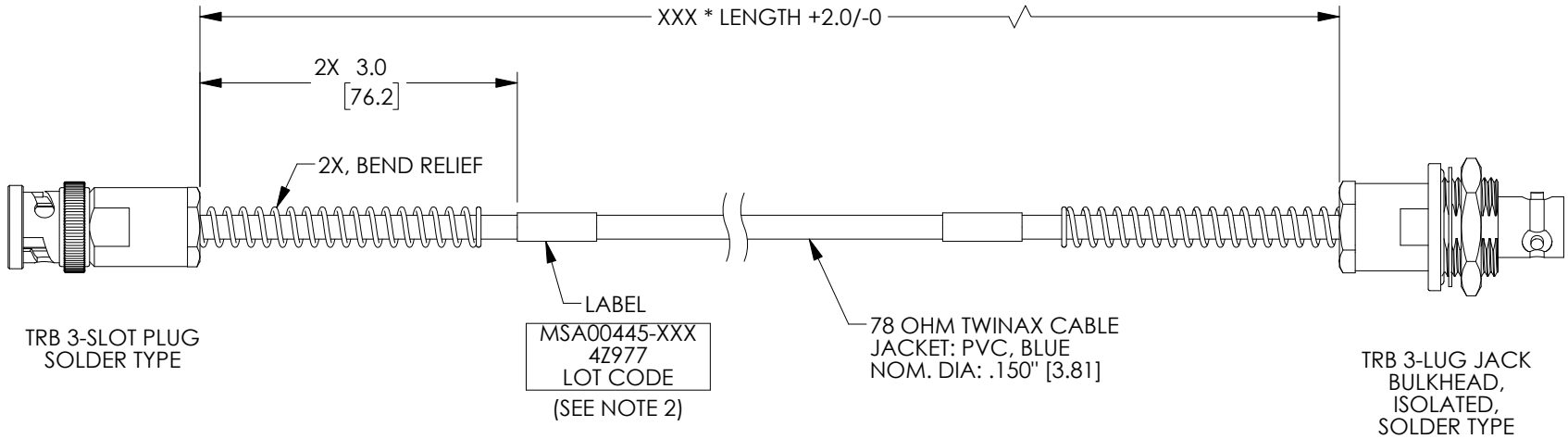


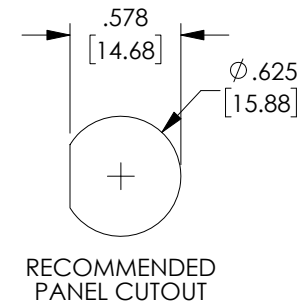
# LEAD FREE SOLDER

**PROPRIETARY NOTICE**  
 This document discloses confidential subject matter in which MilesTek Corporation and its subsidiaries have proprietary rights. Neither receipt nor possession thereof confers or transfers any right to reproduce or disclose the document, any part thereof, any information contained therein, or any physical article or device, or to practice any method or process, except by written permission from, or written agreement with MilesTek Corporation and its subsidiaries.

REVISIONS			
REV	DESCRIPTION	DATE	APPROVED
A	INITIAL RELEASE	01/25/2019	DFRISIELLO



MODEL NUMBER	LENGTH METERS [FEET]
MSA00445-03M	0.3 [1.0]
MSA00445-05M	0.5 [1.64]
MSA00445-075M	0.75 [2.46]
MSA00445-1M	1.0 [3.28]
MSA00445-2M	2.0 [6.56]
MSA00445-3M	3.0 [9.84]
MSA00445-4M	4.0 [13.12]
MSA00445-6M	6.0 [19.69]



**NOTES:**

- \*XXX = LENGTH IN INCHES  
 \*XXXM = LENGTH IN METERS
- CABLES 48" AND UNDER HAVE 1 LABEL CENTERED. CABLES OVER 48" HAVE 2 LABELS, ONE AT EACH END 3.0" FROM THE BACK OF THE CONNECTOR.
- CABLE ASSEMBLY SHALL BE TESTED FOR CONTINUITY.
- ALL MATERIALS USED ARE CERTIFIED RoHS COMPLIANT.

UNLESS OTHERWISE SPECIFIED ALL DIMENSIONS ARE IN INCHES  OVERALL CABLE LENGTH TOLERANCE: ≤12 [305] = +1 [25] / -0 >12 [305] ≤60 [1524] = +2 [51] / -0 >60 [1524] ≤120 [3048] = +4 [102] / -0 >120 [3048] ≤300 [7620] = +6 [152] / -0 >300 [7620] = +5% / -0%  ALL OTHER DIMENSIONAL TOLERANCES: X = ± .2 [5.08] XX = ± .02 [51] XXX = ±.005 [13]	SIGNATURE	DATE	MILESTEK CORPORATION 301 LEORA LANE, SUITE 100 LEWISVILLE, TX 75056 PHONE: (940) 484-9400 FAX: (940) 564-1047
	DFRISIELLO	01/25/2019	
	MHEARN	01/25/2019	
	MHEARN	01/25/2019	
CUSTOMER REFERENCE DOCUMENT:	CONFIGURATION DETAILS OF UNDIMENSIONED FEATURES MAY VARY		TITLE
CAGE CODE: 4Z977	CAGE CODE: 4Z977		LEAD FREE HT TWNX PBR-IN BHJBR
SCALE: NTS	SIZE <b>A</b>	DRAWING NUMBER: <b>MSA00445</b>	REV. <b>A</b>
SHEET 1 OF 1			