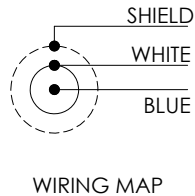
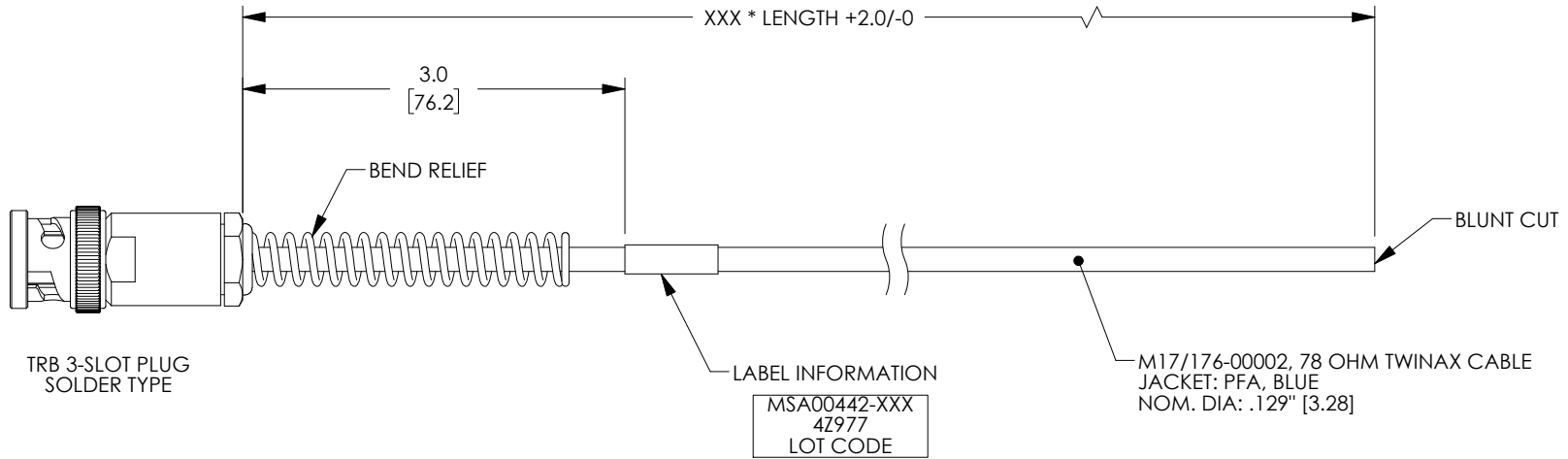


PROPRIETARY NOTICE
 This document discloses confidential subject matter in which MilesTek Corporation and its subsidiaries have proprietary rights. Neither receipt nor possession thereof confers or transfers any right to reproduce or disclose the document, any part thereof, any information contained therein, or any physical article or device, or to practice any method or process, except by written permission from, or written agreement with MilesTek Corporation and its subsidiaries.

LEAD FREE SOLDER

REVISIONS			
REV	DESCRIPTION	DATE	APPROVED
A	INITIAL RELEASE	01/24/2019	DFRISIELLO



MODEL NUMBER	LENGTH METERS [FEET]
MSA00442-03M	0.3 [1.0]
MSA00442-05M	0.5 [1.64]
MSA00442-075M	0.75 [2.46]
MSA00442-1M	1.0 [3.28]
MSA00442-2M	2.0 [6.56]
MSA00442-3M	3.0 [9.84]
MSA00442-4M	4.0 [13.12]
MSA00442-6M	6.0 [19.69]

- NOTES:**
- *XXX = LENGTH IN INCHES
 *XXXM = LENGTH IN METERS
 - CABLE ASSEMBLY SHALL BE TESTED FOR CONTINUITY.
 - ALL MATERIALS USED ARE CERTIFIED RoHS COMPLIANT.

UNLESS OTHERWISE SPECIFIED ALL DIMENSIONS ARE IN INCHES OVERALL CABLE LENGTH TOLERANCE: ≤12 [305] = +1 [25] / -0 >12 [305] ≤60 [1524] = +2 [51] / -0 >60 [1524] ≤120 [3048] = +4 [102] / -0 >120 [3048] ≤300 [7620] = +6 [152] / -0 >300 [7620] = +5% / -0% ALL OTHER DIMENSIONAL TOLERANCES: X = ± 2 [5.08] .XX = ± .02 [5.1] .XXX = ± .005 [1.3]	SIGNATURE	DATE	 MILESTEK CORPORATION 301 LEORA LANE, SUITE 100 LEWISVILLE, TX 75056 PHONE: (940) 484-9400 FAX: (940) 566-1047	
	DRAWN BY: DFRISIELLO	01/24/2019		TITLE LEAD FREE HT TWNX PBR-BLNT
	CHECKED BY: MHEARN	01/24/2019		SIZE A
	APPROVED BY: MHEARN	01/24/2019		DRAWING NUMBER: MSA00442
CUSTOMER REFERENCE DOCUMENT:	CAGE CODE: 4Z977		REV. A	
SCALE: NTS		SHEET 1 OF 1		