

8

7

6

5

4

3

2

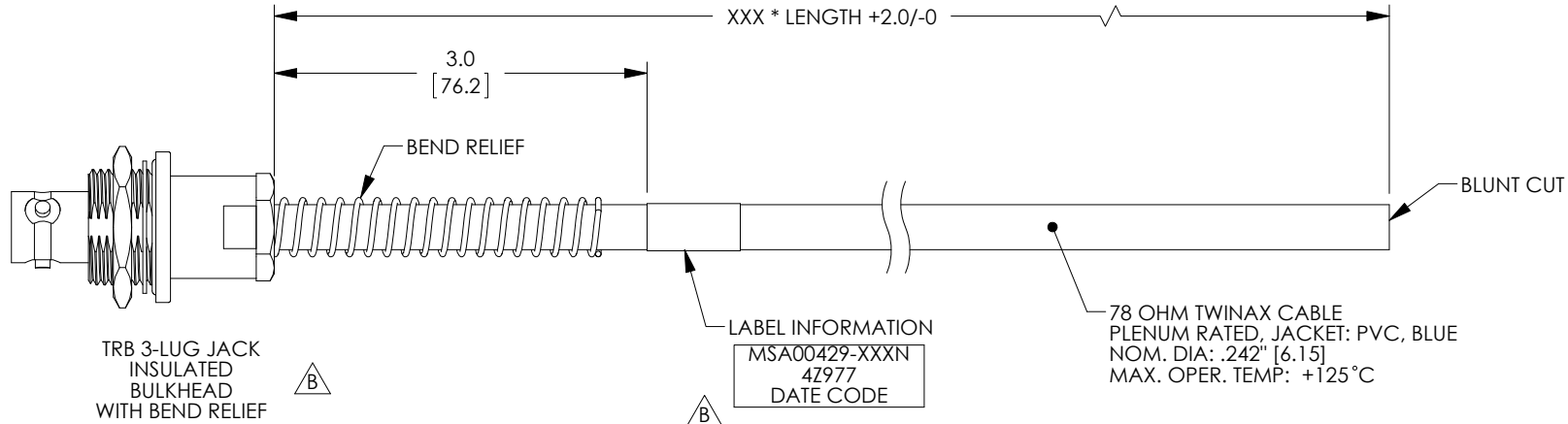
1

PROPRIETARY NOTICE

This document discloses confidential subject matter in which MilesTek Corporation and its subsidiaries have proprietary rights. Neither receipt nor possession thereof confers or transfers any right to reproduce or disclose the document, any part thereof, any information contained therein, or any physical article or device, or to practice any method or process, except by written permission from, or written agreement with MilesTek Corporation and its subsidiaries.

MSA00429-XXXN  
A

REVISIONS			
REV	DESCRIPTION	DATE	APPROVED
A	INITIAL RELEASE	07/18/17	G.HUAN
B	ECN 8899: DELETE NOTE 2, REVISE DESCR., TITLE, ADD DETAIL	9/8/17	D.FRISIELLO

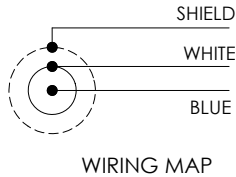


TRB 3-LUG JACK  
INSULATED  
BULKHEAD  
WITH BEND RELIEF

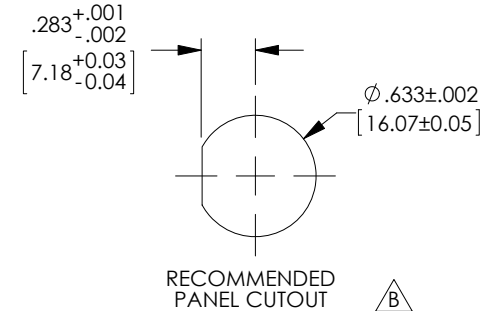


LABEL INFORMATION  
MSA00429-XXXN  
4Z977  
DATE CODE

78 OHM TWINAX CABLE  
PLENUM RATED, JACKET: PVC, BLUE  
NOM. DIA: .242" [6.15]  
MAX. OPER. TEMP: +125°C



LENGTH CODE CHART		
CABLE # & LENGTH	LENGTH SYMBOL	EXAMPLES OF PART # USED
MSA00429-XXN	WHERE XXX = LENGTH IN INCHES	MSA00429-12N (12.0 INCHES)



NON CONTROLLED DRAWING IF PRINTED



NOTES:

- \*XXX = LENGTH IN INCHES
- CABLE ASSEMBLY SHALL BE TESTED FOR CONTINUITY.

AS9100C CERTIFIED			CAD SYSTEM DRAWING - DO NOT REVISE MANUALLY				
			UNLESS OTHERWISE SPECIFIED ALL DIMENSIONS ARE IN INCHES	SIGNATURE	DATE		MILESTEK CORPORATION 1506 INTERSTATE 35 WEST DENTON, TX 76207 PHONE: 866.524.1553 FAX: 940.591.7086
			OVERALL CABLE LENGTH TOLERANCE: ≤12 [305] = +1 [25] / -0 >12 [305] ≤60 [1524] = +2 [51] / -0 >60 [1524] ≤120 [3048] = +4 [102] / -0 >120 [3048] ≤300 [7620] = +6 [152] / -0 >300 [7620] = +5% / -0%	G.HUAN	07/18/17		
			ALL OTHER DIMENSIONAL TOLERANCES: .X = ±.2 [5.08] .XX = ±.02 [1.51] .XXX = ±.005 [1.3]	M.HEARN	07/19/17	TITLE	PLN TWNX IN BHBR J-BLNT
				M.HEARN	07/19/17	SIZE	
DASH	NEXT ASSY	USED ON	CUSTOMER REFERENCE DOCUMENT:	CUSTOMER APPROVAL		A	MSA00429-XXXN
APPLICATION			CAGE CODE: 4Z977	SCALE: NTS		SHEET 1 OF 1	

8

7

6

5

4

3

2

1