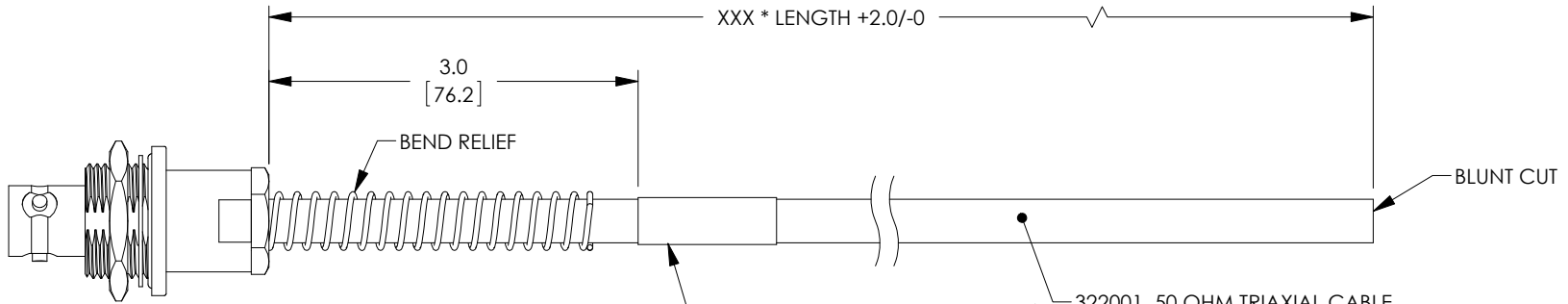


PROPRIETARY NOTICE

This document discloses confidential subject matter in which MilesTek Corporation and its subsidiaries have proprietary rights. Neither receipt nor possession thereof confers or transfers any right to reproduce or disclose the document, any part thereof, any information contained therein, or any physical article or device, or to practice any method or process, except by written permission from, or written agreement with MilesTek Corporation and its subsidiaries.

REV	REVISIONS		
	DESCRIPTION	DATE	APPROVED
A	INITIAL RELEASE	07/18/17	G.HUAN
B	ECN 8899: DELETE NOTE 2, REVISE DESCR., TITLE, ADD DETAIL	9/6/17	D.FRISIELLO

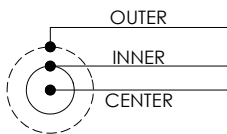


TRB 3-LUG JACK
INSULATED
BULKHEAD
WITH BEND RELIEF

LABEL INFORMATION

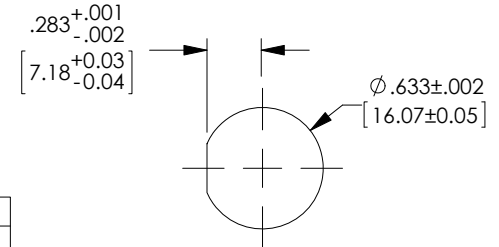
MSA00417-XXXX
4Z977
DATE CODE

322001, 50 OHM TRIAXIAL CABLE
JACKET: HIGH TEMPERATURE FLUOROPOLYMER, CLEAR
TEMPERATURE RANGE: -55°C TO +200°C
NOM. DIA: .236" [5.99]



WIRING MAP

LENGTH CODE CHART		
CABLE # & LENGTH	LENGTH SYMBOL	EXAMPLES OF PART # USED
MSA00417-XXN	WHERE XXX = LENGTH IN INCHES	MSA00417-12N (12.0 INCHES)



RECOMMENDED
PANEL CUTOUT

NON CONTROLLED DRAWING IF PRINTED



NOTES:

- *XXX = LENGTH IN INCHES
- CABLE ASSEMBLY SHALL BE TESTED FOR CONTINUITY.

AS9100C CERTIFIED			CAD SYSTEM DRAWING - DO NOT REVISE MANUALLY			
			UNLESS OTHERWISE SPECIFIED ALL DIMENSIONS ARE IN INCHES	SIGNATURE	DATE	<p>MILESTEK CORPORATION 1506 INTERSTATE 35 WEST DENTON, TX 76207 PHONE: 866.524.1553 FAX: 940.591.7086</p>
			OVERALL CABLE LENGTH TOLERANCE: ≤12 [305] = +1 [25] / -0 >12 [305] ≤60 [1524] = +2 [51] / -0 >60 [1524] ≤120 [3048] = +4 [102] / -0 >120 [3048] ≤300 [7620] = +6 [152] / -0 >300 [7620] = +5% / -0%	G.HUAN	07/18/17	
			ALL OTHER DIMENSIONAL TOLERANCES: X = ±.2 [5.08] XX = ±.02 [5.1] XXX = ±0.05 [1.3]	M.HEARN	07/19/17	TITLE
			CUSTOMER REFERENCE DOCUMENT:	M.HEARN	07/19/17	HT TRIAX IN BHBR J-BLNT
DASH	NEXT ASSY	USED ON		CUSTOMER APPROVAL		SIZE
						A
APPLICATION			CAGE CODE: 4Z977	DRAWING NUMBER:		
				MSA00417-XXXX		
				SCALE: NTS	SHEET 1 OF 1	