

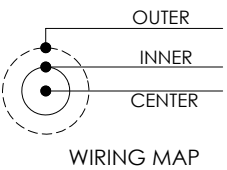
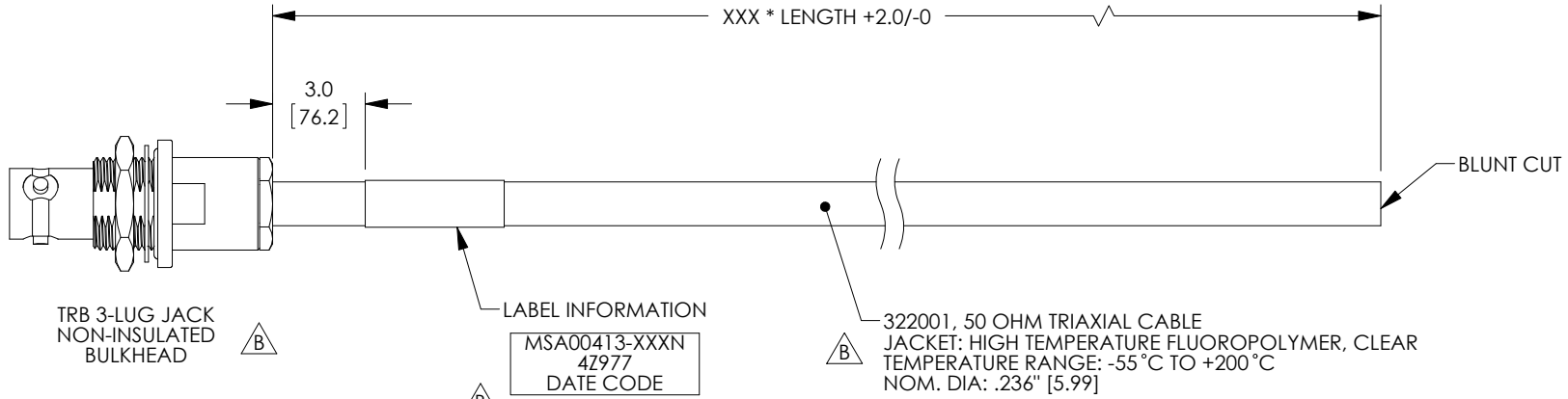
8 7 6 5 4 3 2 1

PROPRIETARY NOTICE

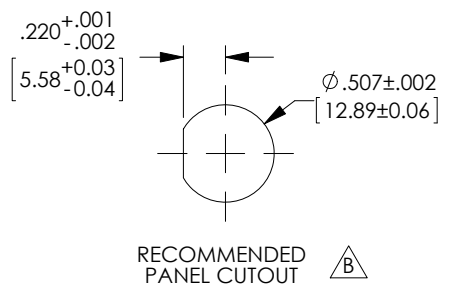
This document discloses confidential subject matter in which MilesTek Corporation and its subsidiaries have proprietary rights. Neither receipt nor possession thereof confers or transfers any right to reproduce or disclose the document, any part thereof, any information contained therein, or any physical article or device, or to practice any method or process, except by written permission from, or written agreement with MilesTek Corporation and its subsidiaries.

REV	REVISIONS		
	DESCRIPTION	DATE	APPROVED
A	INITIAL RELEASE	07/18/17	G.HUAN
B	ECN 8899: DELETE NOTE 2, REVISE DESCR., TITLE, ADD DETAIL	9/5/17	D.FRISIELLO

MSA00413-XXXX  
A



LENGTH CODE CHART		
CABLE # & LENGTH	LENGTH SYMBOL	EXAMPLES OF PART # USED
MSA00413-XXN	WHERE XXX = LENGTH IN INCHES	MSA00413-12N (12.0 INCHES)



- NOTES:**
- \*XXX = LENGTH IN INCHES
  - CABLE ASSEMBLY SHALL BE TESTED FOR CONTINUITY.

NON CONTROLLED DRAWING IF PRINTED

AS9100C CERTIFIED			CAD SYSTEM DRAWING - DO NOT REVISE MANUALLY			
UNLESS OTHERWISE SPECIFIED ALL DIMENSIONS ARE IN INCHES			SIGNATURE	DATE		
OVERALL CABLE LENGTH TOLERANCE: ≤12 [305] = +1 [25] / -0 >12 [305] ≤60 [1524] = +2 [51] / -0 >60 [1524] ≤120 [3048] = +4 [102] / -0 >120 [3048] ≤300 [7620] = +6 [152] / -0 >300 [7620] = +5% / -0%			G.HUAN	07/18/17		
ALL OTHER DIMENSIONAL TOLERANCES: .X = ±.2 [5.08] .XX = ±.02 [5.1] .XXX = ±.005 [1.3]			M.HEARN	07/19/17	TITLE CA HT TRIAX NI BH J-BLNT	
CUSTOMER REFERENCE DOCUMENT:			M.HEARN	07/19/17		
DASH	NEXT ASSY	USED ON	CUSTOMER APPROVAL		DRAWING NUMBER: MSA00413-XXXX	
APPLICATION			CAGE CODE: 4Z977		SCALE: NTS	SHEET 1 OF 1

8 7 6 5 4 3 2 1