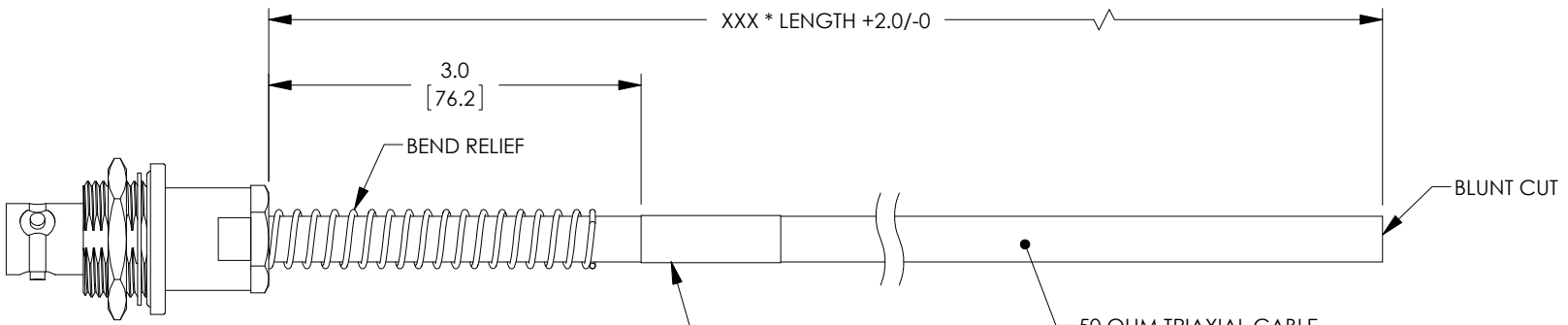


8 7 6 5 4 3 2 1

PROPRIETARY NOTICE

This document discloses confidential subject matter in which MilesTek Corporation and its subsidiaries have proprietary rights. Neither receipt nor possession thereof confers or transfers any right to reproduce or disclose the document, any part thereof, any information contained therein, or any physical article or device, or to practice any method or process, except by written permission from, or written agreement with MilesTek Corporation and its subsidiaries.

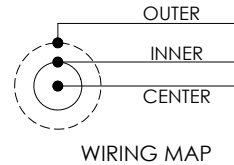
REV	REVISIONS		
	DESCRIPTION	DATE	APPROVED
A	INITIAL RELEASE	07/18/17	G.HUAN
B	ECN 8899: DELETED NOTE 2, REVISE DESCR, TITLE, ADD DETAIL	8/30/17	D.FRISIELLO



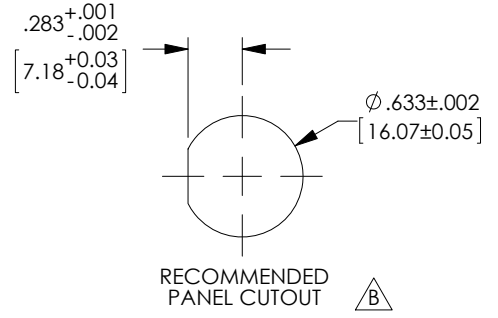
B TRB 3-LUG JACK INSULATED BULKHEAD WITH BEND RELIEF

LABEL INFORMATION
MSA00411-XXXX
4Z977
DATE CODE

50 OHM TRIAXIAL CABLE
JACKET: HALOGEN FREE POLYOLEFIN, YELLOW
NOM. DIA: .245" [6.15]
OPER. TEMP: -30°C TO +80°C



LENGTH CODE CHART		
CABLE # & LENGTH	LENGTH SYMBOL	EXAMPLES OF PART # USED
MSA00411-XXN	WHERE XXX = LENGTH IN INCHES	MSA00411-12N (12.0 INCHES)



NON CONTROLLED DRAWING IF PRINTED

- NOTES:**
- *XXX = LENGTH IN INCHES
 - CABLE ASSEMBLY SHALL BE TESTED FOR CONTINUITY.

AS9100C CERTIFIED			CAD SYSTEM DRAWING - DO NOT REVISE MANUALLY			
UNLESS OTHERWISE SPECIFIED ALL DIMENSIONS ARE IN INCHES			SIGNATURE	DATE	MilesTek®	MILESTEK CORPORATION 1506 INTERSTATE 35 WEST DENTON, TX 76207 PHONE: 866.524.1553 FAX: 940.591.7086
OVERALL CABLE LENGTH TOLERANCE: ≤12 [305] = +1 [25] / -0 >12 [305] ≤60 [1524] = +2 [51] / -0 >60 [1524] ≤120 [3048] = +4 [102] / -0 >120 [3048] ≤300 [7620] = +6 [152] / -0 >300 [7620] = +5% / -0%			G.HUAN	07/18/17		
ALL OTHER DIMENSIONAL TOLERANCES: X = ±.2 [5.08] XX = ±.02 [5.1] XXX = ±.005 [13]			CHECKED BY: M.HEARN	07/19/17	TITLE	CA HF TRIAX IN BHBR J-BLNT
DASH NEXT ASSY USED ON APPLICATION			APPROVED ENGINEERING: M.HEARN	07/19/17	SIZE	DRAWING NUMBER: MSA00411-XXXX
CUSTOMER REFERENCE DOCUMENT:			CUSTOMER APPROVAL	CAGE CODE: 4Z977	SCALE: NTS	SHEET 1 OF 1

8 7 6 5 4 3 2 1