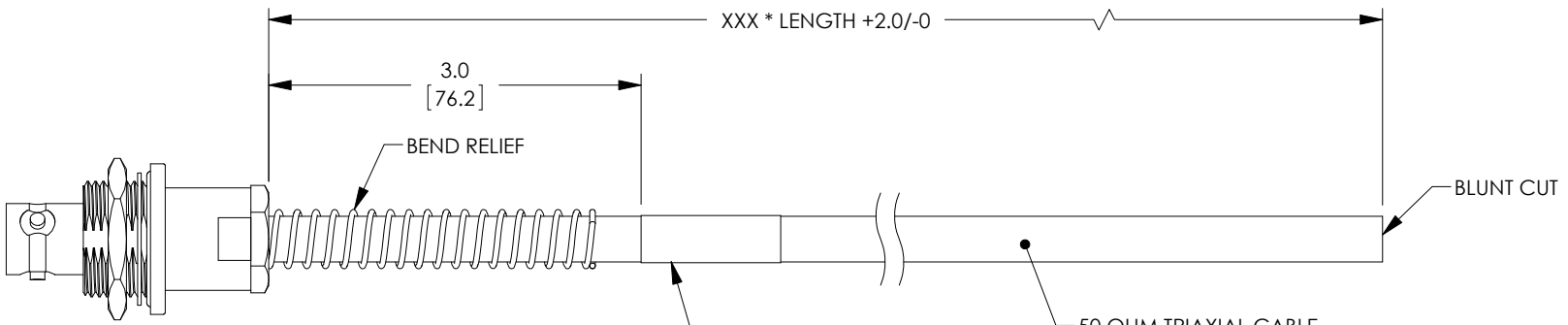


8 7 6 5 4 3 2 1

PROPRIETARY NOTICE

This document discloses confidential subject matter in which MilesTek Corporation and its subsidiaries have proprietary rights. Neither receipt nor possession thereof confers or transfers any right to reproduce or disclose the document, any part thereof, any information contained therein, or any physical article or device, or to practice any method or process, except by written permission from, or written agreement with MilesTek Corporation and its subsidiaries.

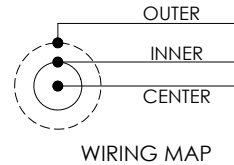
REV	REVISIONS		
	DESCRIPTION	DATE	APPROVED
A	INITIAL RELEASE	07/18/17	G.HUAN
B	ECN 8899: DELETED NOTE 2, REVISE DESCR, TITLE, ADD DETAIL	8/30/17	D.FRISIELLO



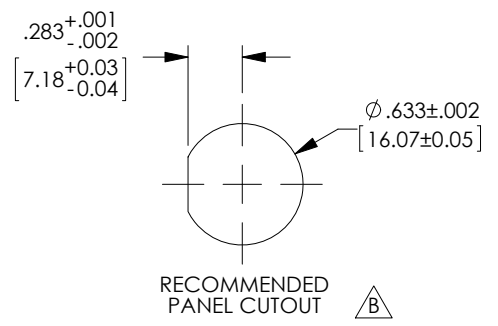
B TRB 3-LUG JACK INSULATED BULKHEAD WITH BEND RELIEF

LABEL INFORMATION
MSA00411-XXXX
4Z977
DATE CODE

50 OHM TRIAXIAL CABLE
JACKET: HALOGEN FREE POLYOLEFIN, YELLOW
NOM. DIA: .245" [6.15]
OPER. TEMP: -30°C TO +80°C



LENGTH CODE CHART		
CABLE # & LENGTH	LENGTH SYMBOL	EXAMPLES OF PART # USED
MSA00411-XXN	WHERE XXX = LENGTH IN INCHES	MSA00411-12N (12.0 INCHES)



NON CONTROLLED DRAWING IF PRINTED **B**

- NOTES:**
- *XXX = LENGTH IN INCHES
 - CABLE ASSEMBLY SHALL BE TESTED FOR CONTINUITY.

AS9100C CERTIFIED			CAD SYSTEM DRAWING - DO NOT REVISE MANUALLY			
			SIGNATURE	DATE	MilesTek	MILESTEK CORPORATION 1506 INTERSTATE 35 WEST DENTON, TX 76207 PHONE: 866.524.1553 FAX: 940.591.7086
			DRAWN BY: G.HUAN	07/18/17		
			CHECKED BY: M.HEARN	07/19/17	TITLE CA HF TRIAX IN BHBR J-BLNT	DRAWING NUMBER: MSA00411-XXXX
			APPROVED ENGINEERING: M.HEARN	07/19/17		
			APPROVED MANUFACTURING:		SCALE: NTS	SHEET 1 OF 1
DASH	NEXT ASSY	USED ON	CUSTOMER APPROVAL		CAGE CODE: 4Z977	
APPLICATION			CUSTOMER REFERENCE DOCUMENT:			

8 7 6 5 4 3 2 1