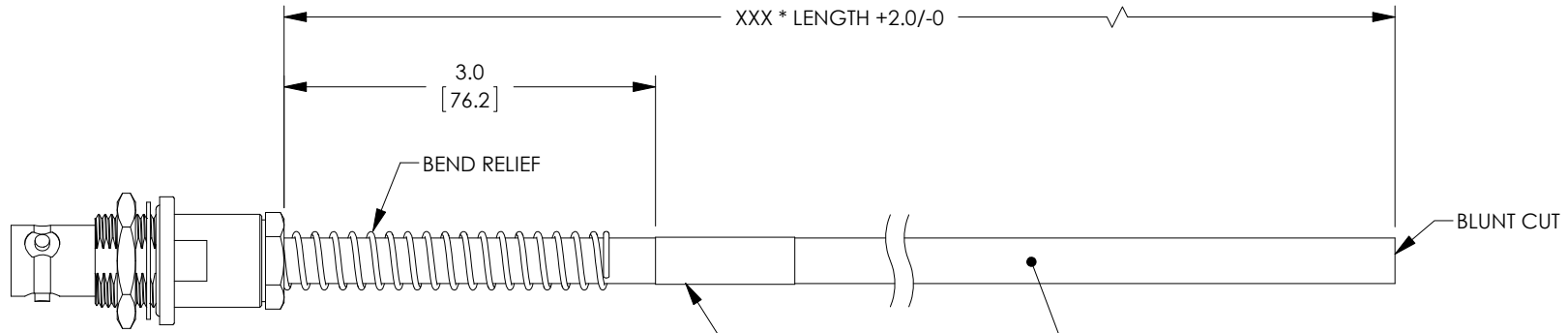


PROPRIETARY NOTICE

This document discloses confidential subject matter in which MilesTek Corporation and its subsidiaries have proprietary rights. Neither receipt nor possession thereof confers or transfers any right to reproduce or disclose the document, any part thereof, any information contained therein, or any physical article or device, or to practice any method or process, except by written permission from, or written agreement with MilesTek Corporation and its subsidiaries.

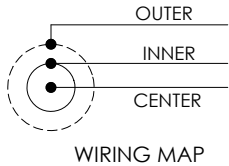
REVISIONS			
REV	DESCRIPTION	DATE	APPROVED
A	INITIAL RELEASE	07/18/17	G.HUAN
B	ECN 8899: DELETE NOTE 2, REVISE DESCR, TITLE, ADD DETAIL	8/30/17	D.FRISIELLO



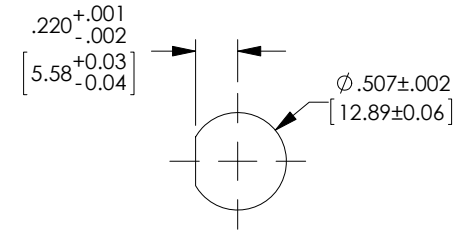
TRS 3-LUG JACK
NON-INSULATED
BULKHEAD WITH
BEND RELIEF

LABEL INFORMATION
MSA00410-XXXN
4Z977
DATE CODE

50 OHM TRIAXIAL CABLE
JACKET: HALOGEN FREE POLYOLEFIN, YELLOW
NOM. DIA.: .245" [6.15]
OPER. TEMP: -30 °C TO +80 °C



LENGTH CODE CHART		
CABLE # & LENGTH	LENGTH SYMBOL	EXAMPLES OF PART # USED
MSA00410-XXN	WHERE XXX = LENGTH IN INCHES	MSA00410-12N (12.0 INCHES)



NON CONTROLLED DRAWING IF PRINTED



NOTES:

- *XXX = LENGTH IN INCHES
- CABLE ASSEMBLY SHALL BE TESTED FOR CONTINUITY.

AS9100C CERTIFIED			CAD SYSTEM DRAWING - DO NOT REVISE MANUALLY			
UNLESS OTHERWISE SPECIFIED ALL DIMENSIONS ARE IN INCHES			SIGNATURE	DATE	MilesTek®	
OVERALL CABLE LENGTH TOLERANCE: ≤12 [305] = +1 [25] / -0 >12 [305] ≤60 [1524] = +2 [51] / -0 >60 [1524] ≤120 [3048] = +4 [102] / -0 >120 [3048] ≤300 [7620] = +6 [152] / -0 >300 [7620] = +5% / -0%			DRAWN BY: G.HUAN	07/18/17	MILESTEK CORPORATION 1506 INTERSTATE 35 WEST DENTON, TX 76207 PHONE: 866.524.1553 FAX: 940.591.7086	
ALL OTHER DIMENSIONAL TOLERANCES: .X = ±.2 [5.08] .XX = ±.02 [5.1] .XXX = ±.005 [1.3]			CHECKED BY: M.HEARN	07/19/17	TITLE CA HF TRIAX NI BHBR J-BLNT	
DASH NEXT ASSY USED ON			APPROVED ENGINEERING: M.HEARN	07/19/17	DRAWING NUMBER: MSA00410-XXXN	
APPLICATION			APPROVED MANUFACTURING:	CUSTOMER APPROVAL	SCALE: NTS SHEET 1 OF 1	
CUSTOMER REFERENCE DOCUMENT:			CAGE CODE: 4Z977	SHEET 1 OF 1		