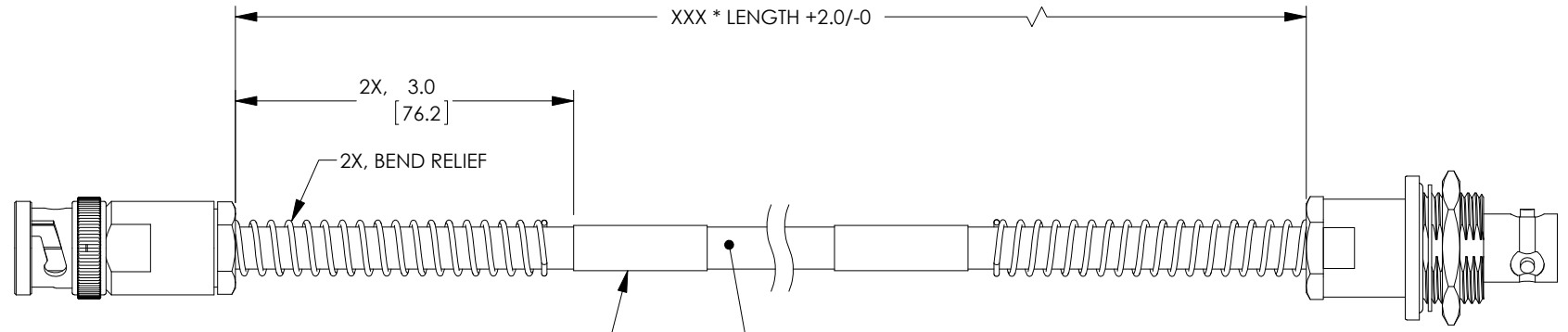


PROPRIETARY NOTICE

This document discloses confidential subject matter in which MilesTek Corporation and its subsidiaries have proprietary rights. Neither receipt nor possession thereof confers or transfers any right to reproduce or disclose the document, any part thereof, any information contained therein, or any physical article or device, or to practice any method or process, except by written permission from, or written agreement with MilesTek Corporation and its subsidiaries.

REV	REVISIONS		
	DESCRIPTION	DATE	APPROVED
A	INITIAL RELEASE	06/27/17	G.HUAN
B	ECN 8899: REVISED NOTE 1 TO NOTE 2, DESCR., TITLE, ADD DETAIL	9/5/17	D.FRISIELLO



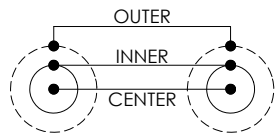
TRB 3-SLOT PLUG WITH BEND RELIEF $\triangle B$

LABEL INFORMATION
MSA00361-XXXX
4Z977
DATE CODE

322001, 50 OHM TRIAXIAL CABLE
JACKET: HIGH TEMPERATURE FLUOROPOLYMER, CLEAR
TEMPERATURE RANGE: -55° TO +200°C
NOM. DIA: .236" [5.99]

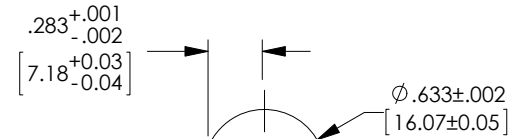
TRB 3-LUG JACK INSULATED BULKHEAD WITH BEND RELIEF $\triangle B$

$\triangle B$ (SEE NOTE 2)



WIRING MAP

LENGTH CODE CHART		
CABLE # & LENGTH	LENGTH SYMBOL	EXAMPLES OF PART # USED
MSA00361-XXN	WHERE XXX = LENGTH IN INCHES	MSA00361-12N (12.0 INCHES)



RECOMMENDED PANEL CUTOUT $\triangle B$

NON CONTROLLED DRAWING IF PRINTED $\triangle B$

- NOTES:
- *XXX = LENGTH IN INCHES
 - CABLES 48" AND UNDER HAVE 1 LABEL CENTERED. CABLES OVER 48" HAVE 2 LABELS, ONE AT EACH END 3.0" FROM THE BACK OF THE CONNECTOR.
 - CABLE ASSEMBLY SHALL BE TESTED FOR CONTINUITY.

AS9100C CERTIFIED			CAD SYSTEM DRAWING - DO NOT REVISE MANUALLY			
			SIGNATURE	DATE		MILESTEK CORPORATION 1506 INTERSTATE 35 WEST DENTON, TX 76207 PHONE: 866.524.1553 FAX: 940.591.7086
			DRAWN BY: G.HUAN	06/27/17		
			CHECKED BY: M.HEARN	06/28/17	TITLE	HT TRIAX PBR-IN BHJBR
			APPROVED ENGINEERING: M.HEARN	06/28/17	SIZE	
			APPROVED MANUFACTURING:		SCALE: NTS	SHEET 1 OF 1
			CUSTOMER APPROVAL		CAGE CODE: 4Z977	
DASH	NEXT ASSY	USED ON	CUSTOMER REFERENCE DOCUMENT:			
APPLICATION						