

8

7

6

5

4

3

2

1

PROPRIETARY NOTICE

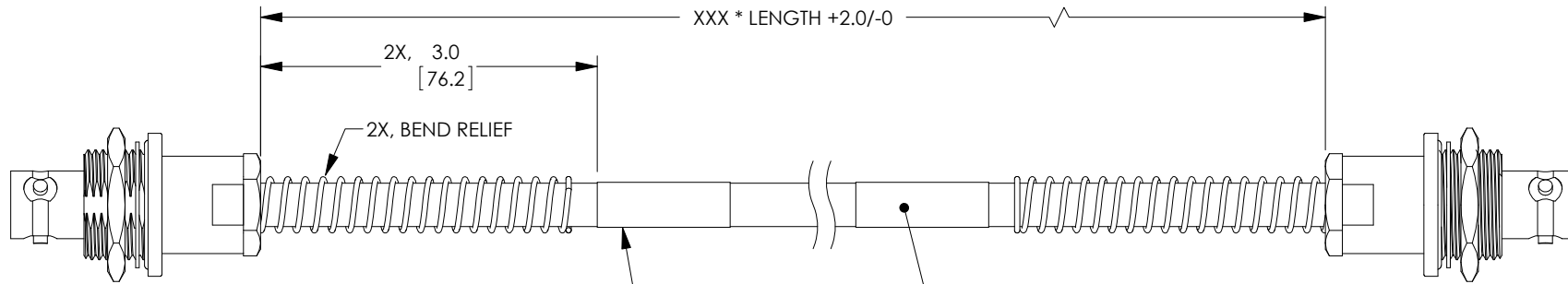
This document discloses confidential subject matter in which MilesTek Corporation and its subsidiaries have proprietary rights. Neither receipt nor possession thereof confers or transfers any right to reproduce or disclose the document, any part thereof, any information contained therein, or any physical article or device, or to practice any method or process, except by written permission from, or written agreement with MilesTek Corporation and its subsidiaries.

MSA00303-XXXN

A

REVISIONS

REV	DESCRIPTION	DATE	APPROVED
A	INITIAL RELEASE	06/27/17	G.HUAN
B	ECN 8899: REVISE NOTE 1 TO NOTE 2, DESCR, TITLE, ADD DETAIL	8/30/17	D.FRISIELLO



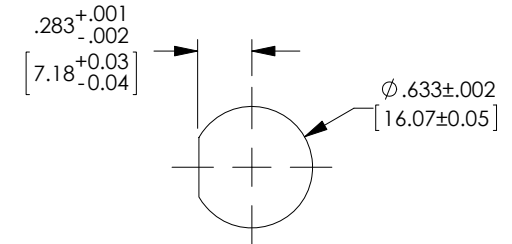
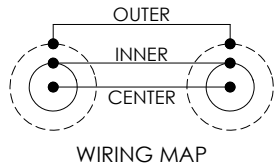
2X, TRB 3-LUG JACK
INSULATED BULKHEAD
WITH BEND RELIEF

LABEL INFORMATION

MSA00303-XXXN
4Z977
DATE CODE

(SEE NOTE 2)

50 OHM TRIAXIAL CABLE
JACKET: HALOGEN FREE POLYOLEFIN, YELLOW
NOM. DIA: .245" [6.15]
OPER. TEMP: -30°C TO +80°C



LENGTH CODE CHART

CABLE # & LENGTH	LENGTH SYMBOL	EXAMPLES OF PART # USED
MSA00303-XXN	WHERE XXX = LENGTH IN INCHES	MSA00303-12N (12.0 INCHES)

NON CONTROLLED DRAWING IF PRINTED

NOTES:

- *XXX = LENGTH IN INCHES
- CABLES 48" AND UNDER HAVE 1 LABEL CENTERED. CABLES OVER 48" HAVE 2 LABELS, ONE AT EACH END 3.0" FROM THE BACK OF THE CONNECTOR.
- CABLE ASSEMBLY SHALL BE TESTED FOR CONTINUITY.

AS9100C CERTIFIED			CAD SYSTEM DRAWING - DO NOT REVISE MANUALLY				
			UNLESS OTHERWISE SPECIFIED ALL DIMENSIONS ARE IN INCHES	SIGNATURE	DATE		MILESTEK CORPORATION 1506 INTERSTATE 35 WEST DENTON, TX 76207 PHONE: 866.524.1553 FAX: 940.591.7086
			OVERALL CABLE LENGTH TOLERANCE: ≤12 [305] = +1 [25] / -0 >12 [305] ≤60 [1524] = +2 [51] / -0 >60 [1524] ≤120 [3048] = +4 [102] / -0 >120 [3048] ≤300 [7620] = +6 [152] / -0 >300 [7620] = +5% / -0%	G.HUAN	06/27/17		
			ALL OTHER DIMENSIONAL TOLERANCES: .X = ±.2 [5.08] .XX = ±.02 [5.1] .XXX = ±.005 [13]	M.HEARN	06/28/17	SIZE A DRAWING NUMBER: MSA00303-XXXN	
DASH	NEXT ASSY	USED ON	CUSTOMER REFERENCE DOCUMENT:	M.HEARN	06/28/17		SCALE: NTS SHEET 1 OF 1
				CUSTOMER APPROVAL			
APPLICATION			CAGE CODE: 4Z977				

8

7

6

5

4

3

2

1