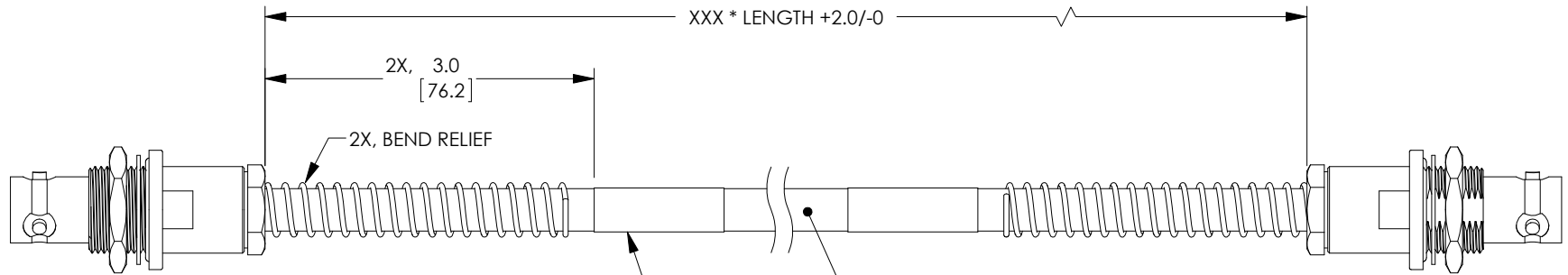


PROPRIETARY NOTICE

This document discloses confidential subject matter in which MilesTek Corporation and its subsidiaries have proprietary rights. Neither receipt nor possession thereof confers or transfers any right to reproduce or disclose the document, any part thereof, any information contained therein, or any physical article or device, or to practice any method or process, except by written permission from, or written agreement with MilesTek Corporation and its subsidiaries.

REV	REVISIONS		
	DESCRIPTION	DATE	APPROVED
A	INITIAL RELEASE	06/27/17	G.HUAN
B	ECN 8899: REVISE NOTE 1 TO NOTE 2, DESCR, TITLE, ADD DETAIL	8/30/17	D.FRISIELLO

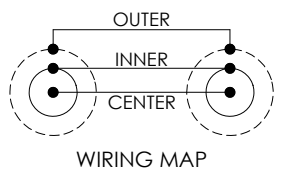
MSA00302-XXXX  
**A**



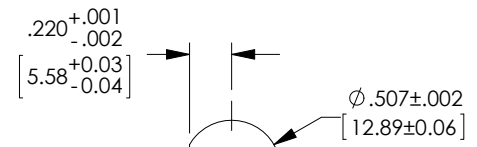
**2X, TRB 3-LUG JACK NON-INSULATED BULKHEAD WITH BEND RELIEF**

**LABEL INFORMATION**  
MSA00302-XXXX  
4Z977  
DATE CODE  
(SEE NOTE 2)

**50 OHM TRIAXIAL CABLE**  
JACKET: HALOGEN FREE POLYOLEFIN, YELLOW  
NOM. DIA: .245" [6.15]  
OPER. TEMP: -30°C TO +80°C



LENGTH CODE CHART		
CABLE # & LENGTH	LENGTH SYMBOL	EXAMPLES OF PART # USED
MSA00302-XXN	WHERE XXX = LENGTH IN INCHES	MSA-00302-12N (12.0 INCHES)



**RECOMMENDED PANEL CUTOUT**

**NON CONTROLLED DRAWING IF PRINTED**

- NOTES:**
- \*XXX = LENGTH IN INCHES
  - CABLES 48" AND UNDER HAVE 1 LABEL CENTERED. CABLES OVER 48" HAVE 2 LABELS, ONE AT EACH END 3.0" FROM THE BACK OF THE CONNECTOR.
  - CABLE ASSEMBLY SHALL BE TESTED FOR CONTINUITY.

AS9100C CERTIFIED			CAD SYSTEM DRAWING - DO NOT REVISE MANUALLY					
DASH	NEXT ASSY	USED ON	UNLESS OTHERWISE SPECIFIED ALL DIMENSIONS ARE IN INCHES	SIGNATURE	DATE		MILESTEK CORPORATION 1506 INTERSTATE 35 WEST DENTON, TX 76207 PHONE: 866.524.1553 FAX: 940.591.7086	
			OVERALL CABLE LENGTH TOLERANCE: ≤12 [305] = +1 [25] / -0 >12 [305] ≤60 [1524] = +2 [51] / -0 >60 [1524] ≤120 [3048] = +4 [102] / -0 >120 [3048] ≤300 [7620] = +6 [152] / -0 >300 [7620] = +5% / -0%	DRAWN BY: G.HUAN CHECKED BY: M.HEARN APPROVED ENGINEERING: M.HEARN APPROVED MANUFACTURING: CUSTOMER APPROVAL:	06/27/17 06/28/17 06/28/17			TITLE: CA HF TRIAX NI BHBR J-J
APPLICATION			CUSTOMER REFERENCE DOCUMENT:	CAGE CODE:4Z977	SCALE: NTS	SIZE <b>A</b>	DRAWING NUMBER: MSA00302-XXXX	
SHEET 1 OF 1								