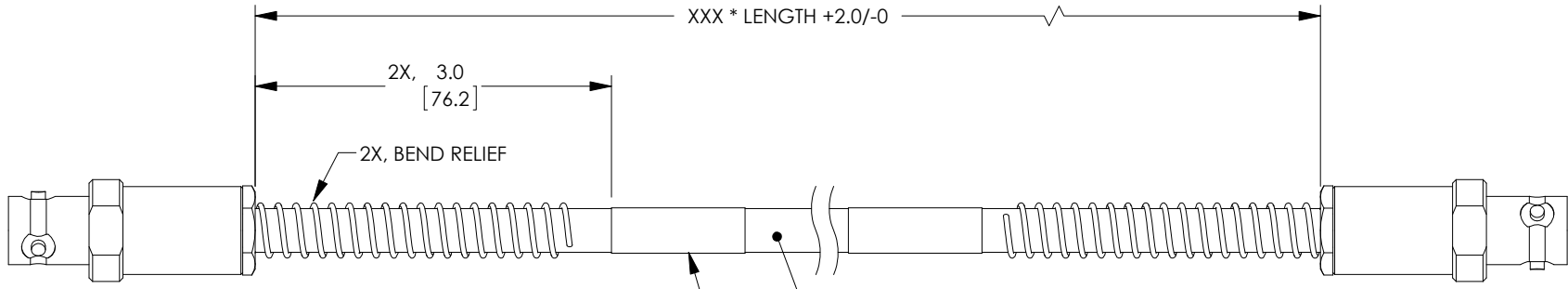


PROPRIETARY NOTICE

This document discloses confidential subject matter in which MilesTek Corporation and its subsidiaries have proprietary rights. Neither receipt nor possession thereof confers or transfers any right to reproduce or disclose the document, any part thereof, any information contained therein, or any physical article or device, or to practice any method or process, except by written permission from, or written agreement with MilesTek Corporation and its subsidiaries.

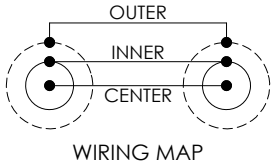
REVISIONS			
REV	DESCRIPTION	DATE	APPROVED
A	INITIAL RELEASE	06/27/17	G.HUAN
B	ECN 8899: REVISE NOTE 1 TO NOTE 2, DESCRIPTION, TITLE	8/30/17	D.FRISIELLO



△ 2X, TRB 3-LUG JACK WITH BEND RELIEF

△ LABEL INFORMATION  
MSA00301-XXXX  
4Z977  
DATE CODE  
(SEE NOTE 2)

50 OHM TRIAXIAL CABLE  
JACKET: HALOGEN FREE POLYOLEFIN, YELLOW  
NOM. DIA: .245" [6.15]  
OPER. TEMP: -30°C TO +80°C



LENGTH CODE CHART		
CABLE # & LENGTH	LENGTH SYMBOL	EXAMPLES OF PART # USED
MSA00301-XXN	WHERE XXX = LENGTH IN INCHES	MSA-00301-12N (12.0 INCHES)

**NON CONTROLLED DRAWING IF PRINTED**

- NOTES:**
- \*XXX = LENGTH IN INCHES
  - CABLES 48" AND UNDER HAVE 1 LABEL CENTERED. CABLES OVER 48" HAVE 2 LABELS, ONE AT EACH END 3.0" FROM THE BACK OF THE CONNECTOR.
  - CABLE ASSEMBLY SHALL BE TESTED FOR CONTINUITY.

AS9100C CERTIFIED			CAD SYSTEM DRAWING - DO NOT REVISE MANUALLY			
UNLESS OTHERWISE SPECIFIED ALL DIMENSIONS ARE IN INCHES  OVERALL CABLE LENGTH TOLERANCE: ≤12 [305] = +1 [25] / -0 >12 [305] ≤60 [1524] = +2 [51] / -0 >60 [1524] ≤120 [3048] = +4 [102] / -0 >120 [3048] ≤300 [7620] = +6 [152] / -0 >300 [7620] = +5% / -0%  ALL OTHER DIMENSIONAL TOLERANCES: .X = ±.2 [5.08] .XX = ±.02 [5.1] .XXX = ±.005 [1.3]			SIGNATURE	DATE		MILESTEK CORPORATION 1506 INTERSTATE 35 WEST DENTON, TX 76207 PHONE: 866.524.1553 FAX: 940.591.7086
			DRAWN BY: G.HUAN	06/27/17		
DASH NEXT ASSY USED ON APPLICATION			CHECKED BY: M.HEARN	06/28/17	SIZE <b>A</b> DRAWING NUMBER: MSA00301-XXXX	
			APPROVED ENGINEERING: M.HEARN	06/28/17		
CUSTOMER REFERENCE DOCUMENT:			APPROVED MANUFACTURING:		SCALE: NTS SHEET 1 OF 1	
			CUSTOMER APPROVAL			
CAGE CODE: 4Z977						