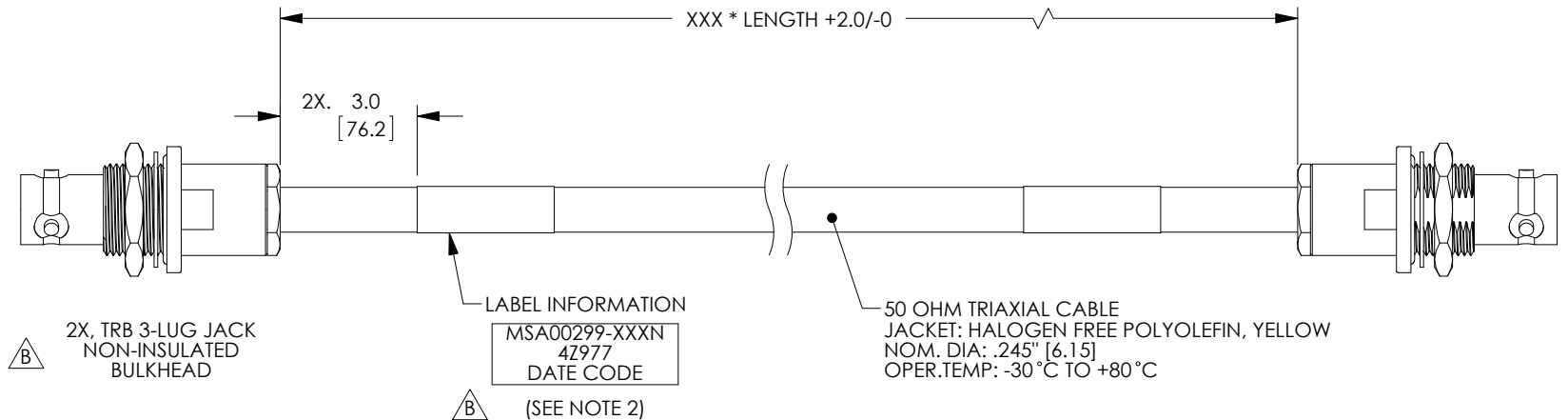


8 7 6 5 4 3 2 1

PROPRIETARY NOTICE
 This document discloses confidential subject matter in which MilesTek Corporation and its subsidiaries have proprietary rights. Neither receipt nor possession thereof confers or transfers any right to reproduce or disclose the document, any part thereof, any information contained therein, or any physical article or device, or to practice any method or process, except by written permission from, or written agreement with MilesTek Corporation and its subsidiaries.

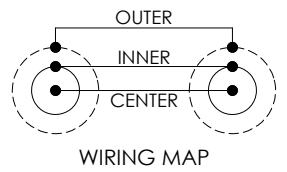
REV	REVISIONS		
	DESCRIPTION	DATE	APPROVED
A	INITIAL RELEASE	06/27/17	G.HUAN
B	ECN 8899: REVISE NOTE 1 TO NOTE 2, DESCR, TITLE, ADD DETAIL	8/30/17	D.FRISIELLO



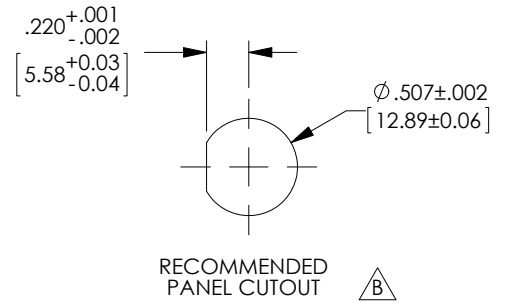
2X, TRB 3-LUG JACK
 NON-INSULATED
 BULKHEAD

LABEL INFORMATION
 MSA00299-XXXX
 4Z977
 DATE CODE

50 OHM TRIAXIAL CABLE
 JACKET: HALOGEN FREE POLYOLEFIN, YELLOW
 NOM. DIA: .245" [6.15]
 OPER. TEMP: -30°C TO +80°C



LENGTH CODE CHART		
CABLE # & LENGTH	LENGTH SYMBOL	EXAMPLES OF PART # USED
MSA00299-XXN	WHERE XXX = LENGTH IN INCHES	MSA00299-12N (12.0 INCHES)



- NOTES:**
- *XXX = LENGTH IN INCHES
 - CABLES 48" AND UNDER HAVE 1 LABEL CENTERED. CABLES OVER 48" HAVE 2 LABELS, ONE AT EACH END 3.0" FROM THE BACK OF THE CONNECTOR.
 - CABLE ASSEMBLY SHALL BE TESTED FOR CONTINUITY.

NON CONTROLLED DRAWING IF PRINTED

AS9100C CERTIFIED		CAD SYSTEM DRAWING - DO NOT REVISE MANUALLY			
UNLESS OTHERWISE SPECIFIED ALL DIMENSIONS ARE IN INCHES		SIGNATURE	DATE	 MILESTEK CORPORATION 1506 INTERSTATE 35 WEST DENTON, TX 76207 PHONE: 866.524.1553 FAX: 940.591.7086	
OVERALL CABLE LENGTH TOLERANCES: ≤12 [305] = +1 [25] / -0 >12 [305] ≤60 [1524] = +2 [51] / -0 >60 [1524] ≤120 [3048] = +4 [102] / -0 >120 [3048] ≤300 [7620] = +6 [152] / -0 >300 [7620] = +5% / -0%		DRAWN BY: G.HUAN	06/27/17		
ALL OTHER DIMENSIONAL TOLERANCES: .X = ±.2 [5.08] .XX = ±.02 [5.1] .XXX = ±.005 [1.3]		CHECKED BY: M.HEARN	06/28/17	DRAWING NUMBER: MSA00299-XXXX	
DASH NEXT ASSY USED ON		APPROVED ENGINEERING: M.HEARN	06/28/17		
APPLICATION		APPROVED MANUFACTURING:	CUSTOMER APPROVAL:	CAGE CODE: 4Z977	
CUSTOMER REFERENCE DOCUMENT:		CUSTOMER APPROVAL:			

8 7 6 5 4 3 2 1