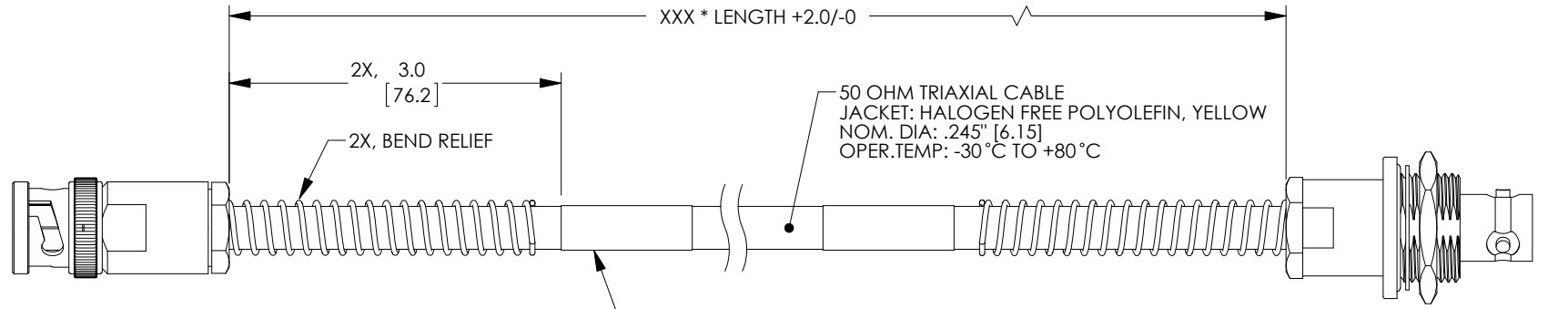


PROPRIETARY NOTICE

This document discloses confidential subject matter in which MilesTek Corporation and its subsidiaries have proprietary rights. Neither receipt nor possession thereof confers or transfers any right to reproduce or disclose the document, any part thereof, any information contained therein, or any physical article or device, or to practice any method or process, except by written permission from, or written agreement with MilesTek Corporation and its subsidiaries.

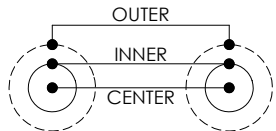
REV	REVISIONS		
	DESCRIPTION	DATE	APPROVED
A	INITIAL RELEASE	06/27/17	G.HUAN
B	ECN 8899: REVISE NOTE 1 TO NOTE 2, DESCR, TITLE, ADD DETAIL	8/30/17	D.FRISIELLO



△ B TRB 3-SLOT PLUG WITH BEND RELIEF

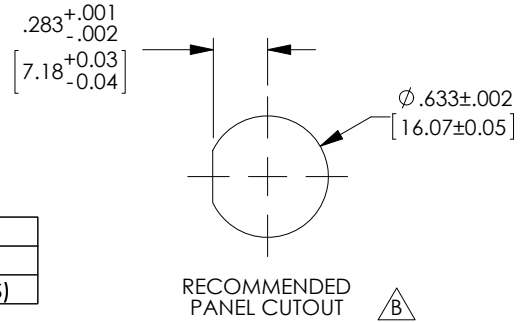
△ B LABEL INFORMATION  
MSA00297-XXXXN  
4Z977  
DATE CODE  
(SEE NOTE 2)

△ B TRB 3-LUG JACK INSULATED BULKHEAD



WIRING MAP

LENGTH CODE CHART		
CABLE # & LENGTH	LENGTH SYMBOL	EXAMPLES OF PART # USED
MSA00297XXN	WHERE XXX = LENGTH IN INCHES	MSA00297-12N (12.0 INCHES)



△ B RECOMMENDED PANEL CUTOUT

NOTES:

- \*XXX = LENGTH IN INCHES
- CABLES 48" AND UNDER HAVE 1 LABEL CENTERED. CABLES OVER 48" HAVE 2 LABELS, ONE AT EACH END 3.0" FROM THE BACK OF THE CONNECTOR.
- CABLE ASSEMBLY SHALL BE TESTED FOR CONTINUITY.

NON CONTROLLED DRAWING IF PRINTED

AS9100C CERTIFIED			CAD SYSTEM DRAWING - DO NOT REVISE MANUALLY			
			SIGNATURE	DATE		MILESTEK CORPORATION 1506 INTERSTATE 35 WEST DENTON, TX 76207 PHONE: 866.524.1553 FAX: 940.591.7086
			DRAWN BY: G.HUAN	06/27/17		
			CHECKED BY: M.HEARN	06/28/17	TITLE HF TRIAX PBR-IN BHJBR	
			APPROVED ENGINEERING: M.HEARN	06/28/17		
			APPROVED MANUFACTURING:		SIZE A DRAWING NUMBER: MSA00297-XXXXN	
			CUSTOMER APPROVAL			
DASH	NEXT ASSY	USED ON	CUSTOMER REFERENCE DOCUMENT:		SCALE: NTS SHEET 1 OF 1	
			APPLICATION			
			CAGE CODE: 4Z977			

UNLESS OTHERWISE SPECIFIED ALL DIMENSIONS ARE IN INCHES

OVERALL CABLE LENGTH TOLERANCE:  
 $\leq 12$  [305] = +1 [25] / -0  
 $> 12$  [305]  $\leq 60$  [1524] = +2 [51] / -0  
 $> 60$  [1524]  $\leq 120$  [3048] = +4 [102] / -0  
 $> 120$  [3048]  $\leq 300$  [7620] = +6 [152] / -0  
 $> 300$  [7620] = +5% / -0%

ALL OTHER DIMENSIONAL TOLERANCES:  
 $X = \pm .2$  [5.08]  
 $.XX = \pm .02$  [5.1]  
 $.XXX = \pm .005$  [1.3]