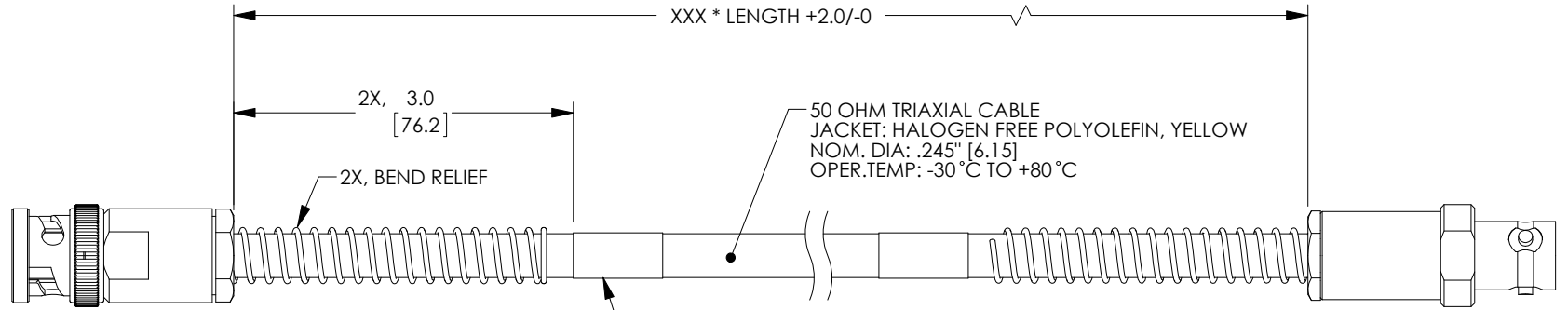


PROPRIETARY NOTICE

This document discloses confidential subject matter in which MilesTek Corporation and its subsidiaries have proprietary rights. Neither receipt nor possession thereof confers or transfers any right to reproduce or disclose the document, any part thereof, any information contained therein, or any physical article or device, or to practice any method or process, except by written permission from, or written agreement with MilesTek Corporation and its subsidiaries.

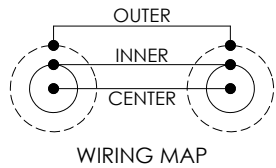
REV	REVISIONS		
	DESCRIPTION	DATE	APPROVED
A	INITIAL RELEASE	06/27/17	G.HUAN
B	ECN 8899: REVISE NOTE 1 TO NOTE 2, DESCRIPTIONS, TITLE	8/30/17	D.FRISIELLO



△ B TRB 3-SLOT PLUG WITH BEND RELIEF

△ B LABEL INFORMATION
MSA00295-XXXX
4Z977
DATE CODE
(SEE NOTE 2)

△ B TRB 3-LUG JACK WITH BEND RELIEF



LENGTH CODE CHART		
CABLE # & LENGTH	LENGTH SYMBOL	EXAMPLES OF PART # USED
MSA00295-XXN	WHERE XXX = LENGTH IN INCHES	MSA00295-12N (12.0 INCHES)

NON CONTROLLED DRAWING IF PRINTED

NOTES:

- *XXX = LENGTH IN INCHES
- CABLES 48" AND UNDER HAVE 1 LABEL CENTERED. CABLES OVER 48" HAVE 2 LABELS, ONE AT EACH END 3.0" FROM THE BACK OF THE CONNECTOR.
- CABLE ASSEMBLY SHALL BE TESTED FOR CONTINUITY.

AS9100C CERTIFIED			CAD SYSTEM DRAWING - DO NOT REVISE MANUALLY				
			UNLESS OTHERWISE SPECIFIED ALL DIMENSIONS ARE IN INCHES	SIGNATURE	DATE		MILESTEK CORPORATION 1506 INTERSTATE 35 WEST DENTON, TX 76207 PHONE: 866.524.1553 FAX: 940.591.7086
			OVERALL CABLE LENGTH TOLERANCE: ≤12 [305] = +1 [25] / -0 >12 [305] ≤60 [1524] = +2 [51] / -0 >60 [1524] ≤120 [3048] = +4 [102] / -0 >120 [3048] ≤300 [7620] = +6 [152] / -0 >300 [7620] = +5% / -0%	G.HUAN	06/27/17		
			ALL OTHER DIMENSIONAL TOLERANCES: .X = ±.2 [5.08] .XX = ±.02 [1.51] .XXX = ±.005 [1.3]	M.HEARN	06/28/17	TITLE	CA HF TRIAX PBR-CJBR
			CUSTOMER REFERENCE DOCUMENT:	M.HEARN	06/28/17	SIZE	
DASH	NEXT ASSY	USED ON		CUSTOMER APPROVAL		A	MSA00295-XXXX
APPLICATION			CAGE CODE: 4Z977	SCALE: NTS		SHEET 1 OF 1	