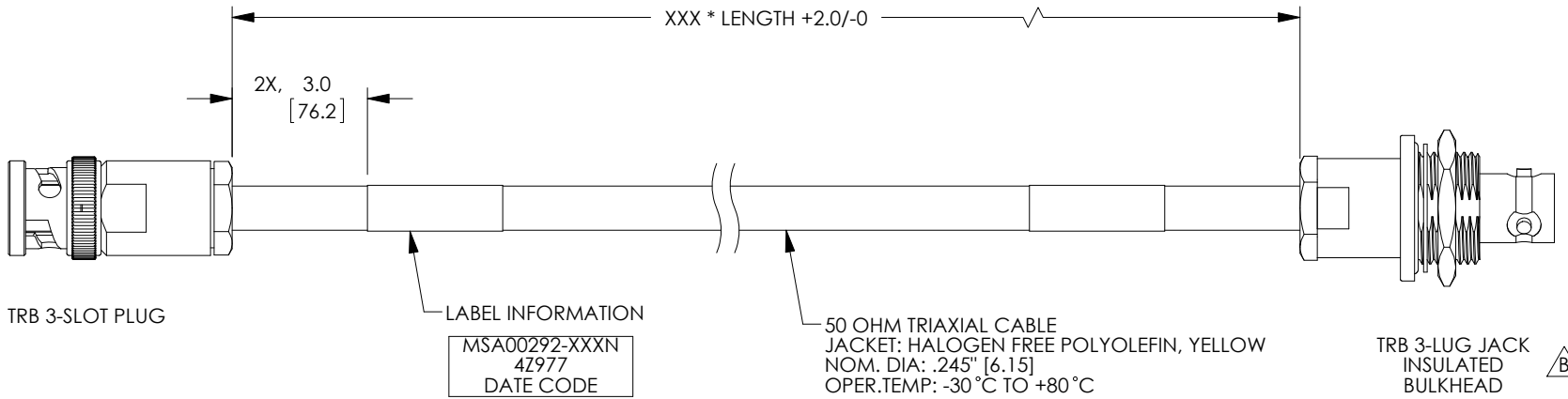


8 7 6 5 4 3 2 1

**PROPRIETARY NOTICE**  
 This document discloses confidential subject matter in which MilesTek Corporation and its subsidiaries have proprietary rights. Neither receipt nor possession thereof confers or transfers any right to reproduce or disclose the document, any part thereof, any information contained therein, or any physical article or device, or to practice any method or process, except by written permission from, or written agreement with MilesTek Corporation and its subsidiaries.

REVISIONS			
REV	DESCRIPTION	DATE	APPROVED
A	INITIAL RELEASE	06/27/17	G.HUAN
B	ECN 8899: REVISE NOTE 1 TO NOTE 2, DESCR, TITLE, ADD DETAIL	8/30/17	D.FRISIELLO

MSA00292-XXXX  
**A**

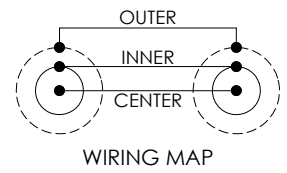


**B** TRB 3-SLOT PLUG

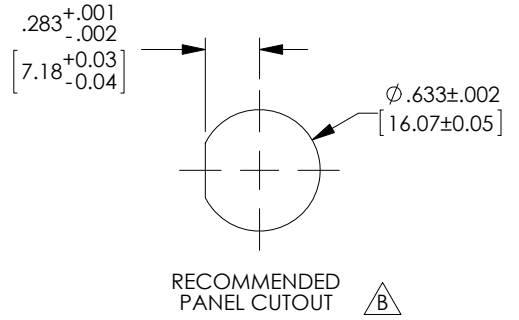
LABEL INFORMATION  
 MSA00292-XXXX  
 4Z977  
 DATE CODE  
**B** (SEE NOTE 2)

50 OHM TRIAXIAL CABLE  
 JACKET: HALOGEN FREE POLYOLEFIN, YELLOW  
 NOM. DIA: .245" [6.15]  
 OPER. TEMP: -30°C TO +80°C

TRB 3-LUG JACK  
 INSULATED  
 BULKHEAD **B**



LENGTH CODE CHART		
CABLE # & LENGTH	LENGTH SYMBOL	EXAMPLES OF PART # USED
MSA00292-XXN	WHERE XXX = LENGTH IN INCHES	MSA-00292-12N (12.0 INCHES)



**NON CONTROLLED DRAWING IF PRINTED** **B**

- NOTES:**
- \*XXX = LENGTH IN INCHES
  - CABLES 48" AND UNDER HAVE 1 LABEL CENTERED. CABLES OVER 48" HAVE 2 LABELS, ONE AT EACH END 3.0" FROM THE BACK OF THE CONNECTOR.
  - CABLE ASSEMBLY SHALL BE TESTED FOR CONTINUITY.

AS9100C CERTIFIED			CAD SYSTEM DRAWING - DO NOT REVISE MANUALLY			
			SIGNATURE	DATE	<b>MilesTek</b>	MILESTEK CORPORATION 1506 INTERSTATE 35 WEST DENTON, TX 76207 PHONE: 866.524.1553 FAX: 940.591.7086
			DRAWN BY: G.HUAN	06/27/17		
			CHECKED BY: M.HEARN	06/28/17	TITLE CA HF TRIAX P-IN BHJ	
			APPROVED ENGINEERING: M.HEARN	06/28/17		
			APPROVED MANUFACTURING:		DRAWING NUMBER: MSA00292-XXXX	
			CUSTOMER APPROVAL			
DASH	NEXT ASSY	USED ON	CUSTOMER REFERENCE DOCUMENT:		CAGE CODE: 4Z977	SCALE: NTS
APPLICATION						SHEET 1 OF 1

8 7 6 5 4 3 2 1