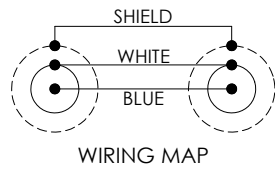
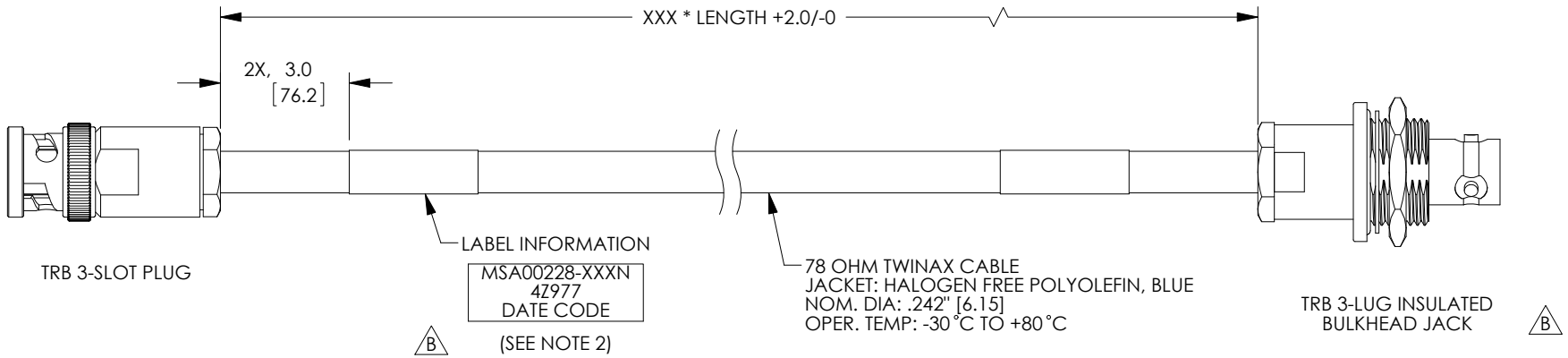


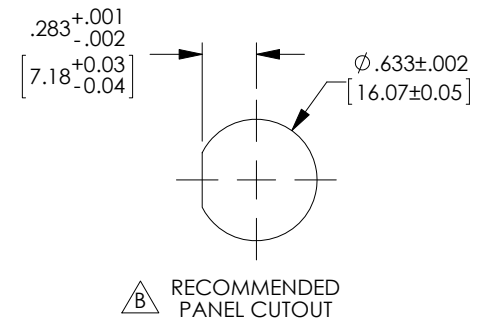
8 7 6 5 4 3 2 1

**PROPRIETARY NOTICE**  
 This document discloses confidential subject matter in which MilesTek Corporation and its subsidiaries have proprietary rights. Neither receipt nor possession thereof confers or transfers any right to reproduce or disclose the document, any part thereof, any information contained therein, or any physical article or device, or to practice any method or process, except by written permission from, or written agreement with MilesTek Corporation and its subsidiaries.

REVISIONS			
REV	DESCRIPTION	DATE	APPROVED
A	INITIAL RELEASE	06/30/17	J.YOU
B	ECN 8899: REVISED TITLE, DESCRIPTION, ADDED DETAIL	8/29/17	D.FRISIELLO



LENGTH CODE CHART		
CABLE # & LENGTH	LENGTH SYMBOL	EXAMPLES OF PART # USED
MSA00228-XXXX	WHERE XXX = LENGTH IN INCHES	MSA00228-12N (12.0 INCHES)



- NOTES:**
- \*XXX = LENGTH IN INCHES
  - CABLES 48" AND UNDER HAVE 1 LABEL CENTERED. CABLES OVER 48" HAVE 2 LABELS, ONE AT EACH END 3.0" FROM THE BACK OF THE CONNECTOR.
  - CABLE ASSEMBLY SHALL BE TESTED FOR CONTINUITY.

**NON CONTROLLED DRAWING IF PRINTED**

AS9100C CERTIFIED			CAD SYSTEM DRAWING - DO NOT REVISE MANUALLY			
			SIGNATURE	DATE		MILESTEK CORPORATION 1506 INTERSTATE 35 WEST DENTON, TX 76207 PHONE: 866.524.1553 FAX: 940.591.7086
			DRAWN BY: J.YOU	06/30/17		
			CHECKED BY: M.HEARN	06/30/17	TITLE CA HF TWNX P-INSULATED BULKHEAD JACK	
			APPROVED ENGINEERING: M.HEARN	06/30/17		
			APPROVED MANUFACTURING:		SIZE <b>A</b> DRAWING NUMBER: MSA00228-XXXX	
			CUSTOMER APPROVAL			
DASH	NEXT ASSY	USED ON	CUSTOMER REFERENCE DOCUMENT:		SCALE: NTS SHEET 1 OF 1	
			APPLICATION			
			CAGE CODE: 4Z977			

8 7 6 5 4 3 2 1