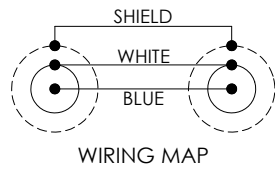
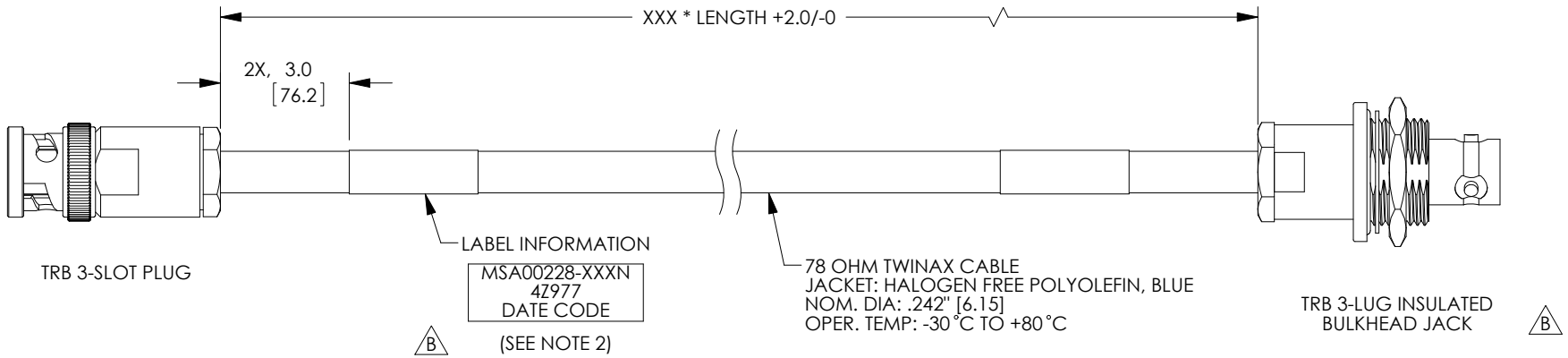


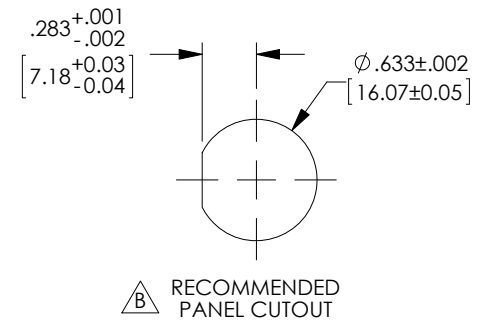
8 7 6 5 4 3 2 1

PROPRIETARY NOTICE
 This document discloses confidential subject matter in which MilesTek Corporation and its subsidiaries have proprietary rights. Neither receipt nor possession thereof confers or transfers any right to reproduce or disclose the document, any part thereof, any information contained therein, or any physical article or device, or to practice any method or process, except by written permission from, or written agreement with MilesTek Corporation and its subsidiaries.

REVISIONS			
REV	DESCRIPTION	DATE	APPROVED
A	INITIAL RELEASE	06/30/17	J.YOU
B	ECN 8899: REVISED TITLE, DESCRIPTION, ADDED DETAIL	8/29/17	D.FRISIELLO



LENGTH CODE CHART		
CABLE # & LENGTH	LENGTH SYMBOL	EXAMPLES OF PART # USED
MSA00228-XXXX	WHERE XXX = LENGTH IN INCHES	MSA00228-12N (12.0 INCHES)



- NOTES:**
- *XXX = LENGTH IN INCHES
 - CABLES 48" AND UNDER HAVE 1 LABEL CENTERED. CABLES OVER 48" HAVE 2 LABELS, ONE AT EACH END 3.0" FROM THE BACK OF THE CONNECTOR.
 - CABLE ASSEMBLY SHALL BE TESTED FOR CONTINUITY.

NON CONTROLLED DRAWING IF PRINTED

AS9100C CERTIFIED			CAD SYSTEM DRAWING - DO NOT REVISE MANUALLY				
UNLESS OTHERWISE SPECIFIED ALL DIMENSIONS ARE IN INCHES			SIGNATURE		DATE		MILESTEK CORPORATION 1506 INTERSTATE 35 WEST DENTON, TX 76207 PHONE: 866.524.1553 FAX: 940.591.7086
OVERALL CABLE LENGTH TOLERANCE: $\leq 12 [305] = +1 [25] / -0$ $> 12 [305] \leq 60 [1524] = +2 [51] / -0$ $> 60 [1524] \leq 120 [3048] = +4 [102] / -0$ $> 120 [3048] \leq 300 [7620] = +6 [152] / -0$ $> 300 [7620] = +5% / -0%$			DRAWN BY: J.YOU		06/30/17		
ALL OTHER DIMENSIONAL TOLERANCES: $X = \pm .2 [5.08]$ $.XX = \pm .02 [5.1]$ $.XXX = \pm .005 [1.3]$			CHECKED BY: M.HEARN		06/30/17	DRAWING NUMBER: MSA00228-XXXX	
CUSTOMER REFERENCE DOCUMENT:			APPROVED ENGINEERING: M.HEARN		06/30/17	SCALE: NTS	
APPLICATION			APPROVED MANUFACTURING:			SHEET 1 OF 1	
DASH NEXT ASSY USED ON			CUSTOMER APPROVAL			CAGE CODE: 4Z977	

8 7 6 5 4 3 2 1